

PLEASE CHECK WWW.MOLEX.COM FOR LATEST PART INFORMATION

Part Number: [0936010539](#)
Status: **Active**
Overview: [GWconnect Heavy Duty Connectors \(HDC\)](#)
Description: [GWconnect Frame for Size 6B «44x27» Hoods, Die-cast Zinc](#)

Documents:
[RoHS Certificate of Compliance \(PDF\)](#)

General

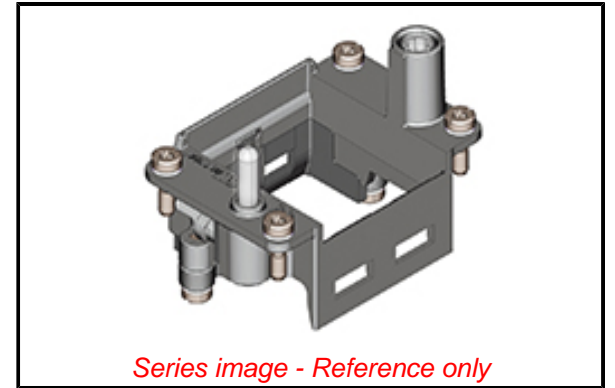
Product Family	Industrial Connectors / Enclosures
Series	93601
Accessory Type	Frame
Material - Frame	Die-cast Zinc
Overview	GWconnect Heavy Duty Connectors (HDC)
Product Category	Accessories
Product Name	GWconnect
Type	EMC, HE, HP-HE, STD
UPC	887191831329

Physical

Net Weight	59.000/g
Packaging Type	Bag

Material Info

Engineering Number	7706.3515.0
--------------------	-------------



EU ELV

Not Relevant

EU RoHS

Compliant

REACH SVHC

Not Contained Per -
D(2020)4578-DC (25
June 2020)

Halogen-Free

Status

Low-Halogen

For more information, please visit [Contact US](#)

China ROHS

ELV

RoHS Phthalates

China RoHS

Green Image

Not Relevant

Not Contained

Search Parts in this Series

[93601 Series](#)

Use With

Size 6B «44x27» Hoods and 2 Modules