

Product Compliance

[For compliance documentation, visit the product page on TE.com>](#)

EU RoHS Directive 2011/65/EU	Out of Scope
EU ELV Directive 2000/53/EC	Out of Scope
China RoHS 2 Directive MIIT Order No 32, 2016	Not reviewed for China RoHS compliance
EU REACH Regulation (EC) No. 1907/2006	Current ECHA Candidate List: JUNE 2024 (241) Candidate List Declared Against: JUNE 2022 (224) Does not contain REACH SVHC
Halogen Content	Low Halogen - Br, Cl, F, I < 900 ppm per homogenous material. Also BFR/CFR/PVC Free
Solder Process Capability	Not applicable for solder process capability

Product Compliance Disclaimer

This information is provided based on reasonable inquiry of our suppliers and represents our current actual knowledge based on the information they provided. This information is subject to change. The part numbers that TE has identified as EU RoHS compliant have a maximum concentration of 0.1% by weight in homogenous materials for lead, hexavalent chromium, mercury, PBB, PBDE, DBP, BBP, DEHP, DIBP, and 0.01% for cadmium, or qualify for an exemption to these limits as defined in the Annexes of Directive 2011/65/EU (RoHS2). Finished electrical and electronic equipment products will be CE marked as required by Directive 2011/65/EU. Components may not be CE marked. Additionally, the part numbers that TE has identified as EU ELV compliant have a maximum concentration of 0.1% by weight in homogenous materials for lead, hexavalent chromium, and mercury, and 0.01% for cadmium, or qualify for an exemption to these limits as defined in the Annexes of Directive 2000/53/EC (ELV). Regarding the REACH Regulation, the information TE provides on SVHC in articles for this part number is based on the latest European Chemicals Agency (ECHA) 'Guidance on requirements for substances in articles' posted at this URL: <https://echa.europa.eu/guidance-documents/guidance-on-reach>

Compatible Parts



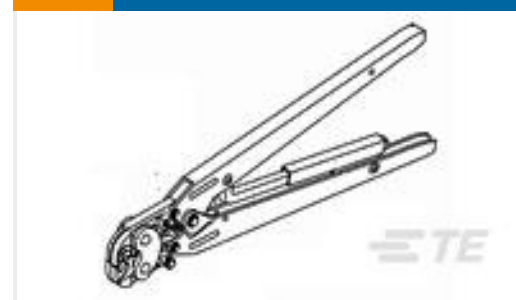
Customers Also Bought



TE Part #35151
TERMINAL,PIDG R 12-10 1/2



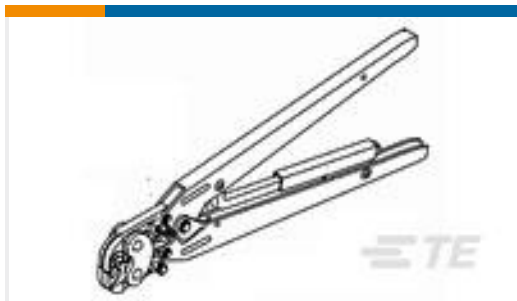
TE Part #0460-215-1631
PIN, SOLID, SIZE 16, 14AWG, AU



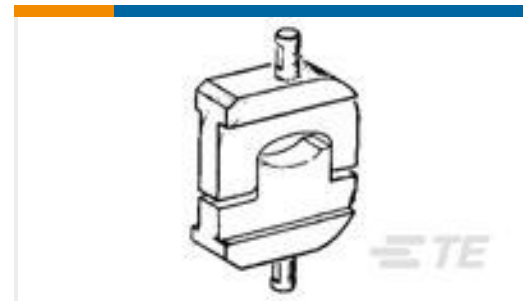
TE Part #720725-1
DAHT 250 FASTIN-ON TAB REC 18-14
ASSY



TE Part #1-770250-0
UMNL II PIN SN/AUNI/BR LP20-14



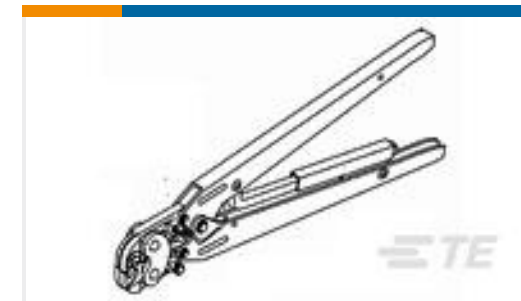
TE Part #934677-1
DAHT 250 FASTON TAB 20-14 ASSY



TE Part #446751-2
HYP8 AMPPOWER 250MCM DIE SET



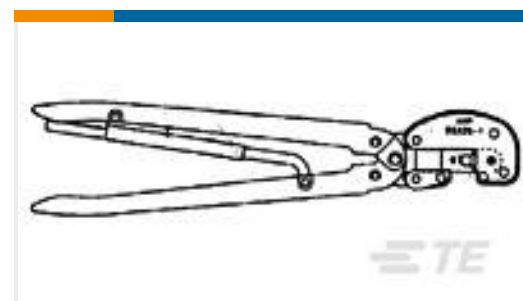
TE Part #321878
TERMINAL,SOLIS R 4/0 3/8



TE Part #911776-1
DAHT 250 SRS POS LOCK REC 12-10
ASSY



TE Part #325703
TERMINAL,AMPOWER 250MCM 3/8



TE Part #409780-1
HHHT PIDG PG PIDG STRATO 12-10
ASSY

Documents

Product Drawings

DAHT 250 REC 20-14 ASSY

Japanese

Product Specifications

Crimping of 250 Series Tab and Receptacle Contacts

Japanese

Application Specification

Japanese

Instruction Sheets

Instruction Sheet (non U.S.)

Japanese