

PLEASE CHECK WWW.MOLEX.COM FOR LATEST PART INFORMATION

Part Number: **0930509001**
Status: **Active**
Overview: RAST Connector System
Description: 2.50mm Pitch Appli-Mate RAST 2.5 Female Connector, 2 Circuits, Fully Coded, Open Endwalls, Glow-Wire Capable

Documents:

[Drawing \(PDF\)](#) [Packaging Specification PK-90871-001-001 \(PDF\)](#)
[Product Specification PS-99020-0040-001 \(PDF\)](#) [RoHS Certificate of Compliance \(PDF\)](#)
[Application Specification 990330008-000 \(PDF\)](#)

General

Product Family IDT and Solder Connectors
Series [93050](#)
Crimp Quality Equipment Yes
Overview [RAST Connector System](#)
Product Name RAST 2.5
UPC 889056526647
Use With RAST Standard Interface

Physical

Circuits (Loaded) 2
Circuits (maximum) 2
Color - Resin Natural
Durability (mating cycles max) 10
Gender Female
Glow-Wire Capable Yes
Lock to Mating Part None
Material - Metal Phosphor Bronze
Material - Plating Mating Tin
Material - Plating Termination Tin
Material - Resin Polyester
Net Weight 0.566/g
Number of Rows 1
Packaging Type Tray
Panel Mount No
Pitch - Mating Interface 2.50mm
Pitch - Termination Interface 2.50mm
Plating min - Mating 1.016µm
Plating min - Termination 1.016µm
Polarized to Mating Part No
Stackable No
Temperature Range - Operating -20° to +110°C, -20° to +120°C, -20° to +60°C
Termination Interface: Style IDT or Pierce
Wire Size AWG 22, 24

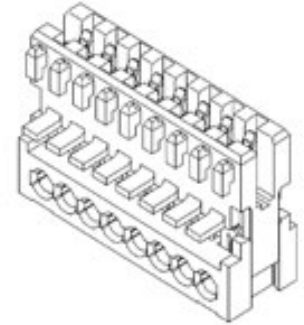
Electrical

Current - Maximum per Contact 2.0A, 4.0A
Voltage - Maximum 32V AC

Material Info

Reference - Drawing Numbers

Application Specification 990330008-000
Packaging Specification PK-90871-001-001
Product Specification PS-99020-0040-001
Sales Drawing 930500001-000



Series image - Reference only

EU ELV

Not Relevant

EU RoHS

Compliant

REACH SVHC

Contained Per -
D(2020)4578-DC (25 June 2020)
Perfluorohexane-1-sulphonic acid and its salts
Tris(4-nonylphenyl, branched and linear) phosphi
Zirconia
Aluminosilicate
Refractory Ceramic Fibr
Aluminosilicate
Refractory Ceramic Fibres
Boric acid
2-(2H-benzotriazol-2-yl)-4-(tert-butyl)-6-(sec-b
2-(2H-benzotriazol-2-yl)-4,6-ditertpentylphenol
2-ethylhexyl 10-ethyl-4,4-dioctyl-7-oxo-8-oxa-3, disodium octaborate
diisopentylphthalate
disodium 3,3'-[[1,1'-biphenyl]-4,4'-diylbis(azo)
octamethylcyclotetrasiloxane
dodecamethylcyclohexasiloxane
perfluorooctanoic acid
ethylene thiourea
dicyclohexyl phthalate
4-aminoazobenzene
[phthalato(2-)]dioxotrilead

China RoHS

Silicic acid (H₂Si₂O₅),
barium salt (1:1),
lead-
Sulfurous acid, lead
salt, dibasic
lead cyanamidate
Lead titanium
zirconium oxide
dioxobis(stearato)trilead
tetralead trioxide
sulphate
lead titanium trioxide
cadmium sulphide
bis(pentabromophenyl)
ether
1,2-bis(2-
methoxyethoxy)ethane
1,2-dimethoxyethane
bis(2-methoxyethyl)
phthalate
pentazinc chromate
octahydroxide
potassium
hydroxyoctaoxidizincatedichromate(1-)
bis(2-methoxyethyl)
ether
1,2-
benzenedicarboxylic
acid; di-C6-8-
branched a
1,2-
benzenedicarboxylic
acid; di-C7-11-
branched
strontium chromate
Lead sulfochromate
yellow
Lead chromate
molybdate sulfate red

**Halogen-Free
Status**

Not Low-Halogen

For more information, please visit [Contact US](#)

China ROHS	Green Image
ELV	Not Relevant
RoHS Phthalates	Not Contained

Search Parts in this Series

[93050 Series](#)

Mates With

[93070](#)

Application Tooling | [FAQ](#)

Tooling specifications and manuals are found by selecting the products below. Crimp Height Specifications are then contained in the Application Tooling Specification document.

Global

Description

Product #

Hand Tool for Appli- [638272900](#)
Mate RAST 2.5,
RAST Signal, and R-
Power Connectors

This document was generated on 10/20/2020

PLEASE CHECK WWW.MOLEX.COM FOR LATEST PART INFORMATION