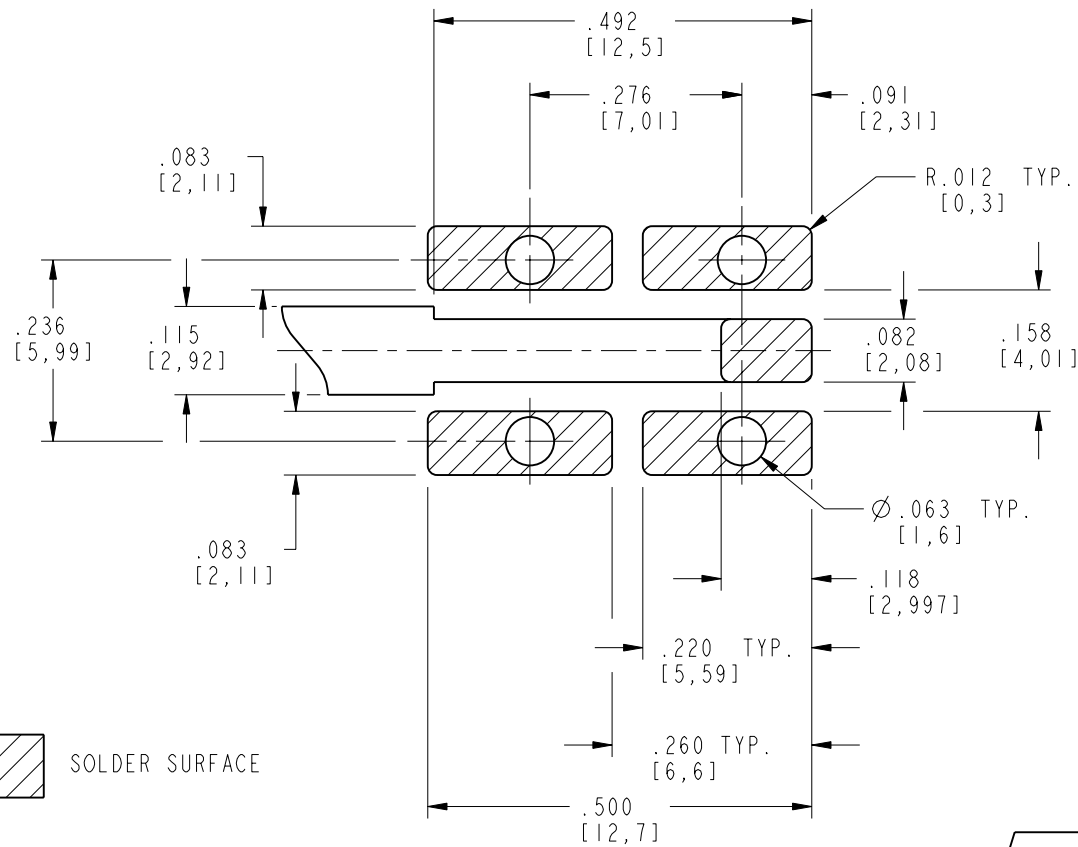


NOTES:

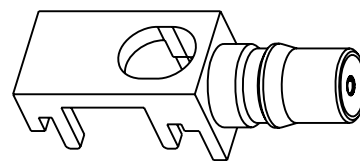
- MATERIALS AND FINISHES:
 BODY - BRASS, GOLD PLATING (.000004 THICK MIN) OVER HIGH PHOSPHORUS ELECTROLESS NICKEL
 CONTACT - BeCu, GOLD PLATING (.000004 THICK MIN) OVER HIGH PHOSPHORUS ELECTROLESS NICKEL
 INSULATOR - PTFE
- ELECTRICAL:
 A. IMPEDANCE: 50 OHM
 B. FREQUENCY RANGE: DC - 6 GHz
 C. VSWR(RETURN LOSS): -32 dB TO 3 GHz MAX.; -25 dB TO 6 GHz MAX.
- MECHANICAL:
 A. DURABILITY: 500 CYCLES MIN.
 B. TEMPERATURE RANGE: -65°C - +165°C
 C. CENTER CONTACT MUST WITHSTAND A 6LB. MIN AXIAL FORCE AND A 4IN. OZ. MIN. TORQUE
- PACKAGING:
 A. QUANTITY: SINGLE PACK
 B. MARKING: BAG TO BE MARKED
 "AMPHENOL 930-159J-51S, AND DATE CODE YYWW"

930-159J-51S		REVISIONS			
DRAWING NO.	REV	DESCRIPTION	DATE	ECO	APPR
THIRD ANGLE PROJ.	A	RELEASE TO MFG.	9/29/08	47121	RR

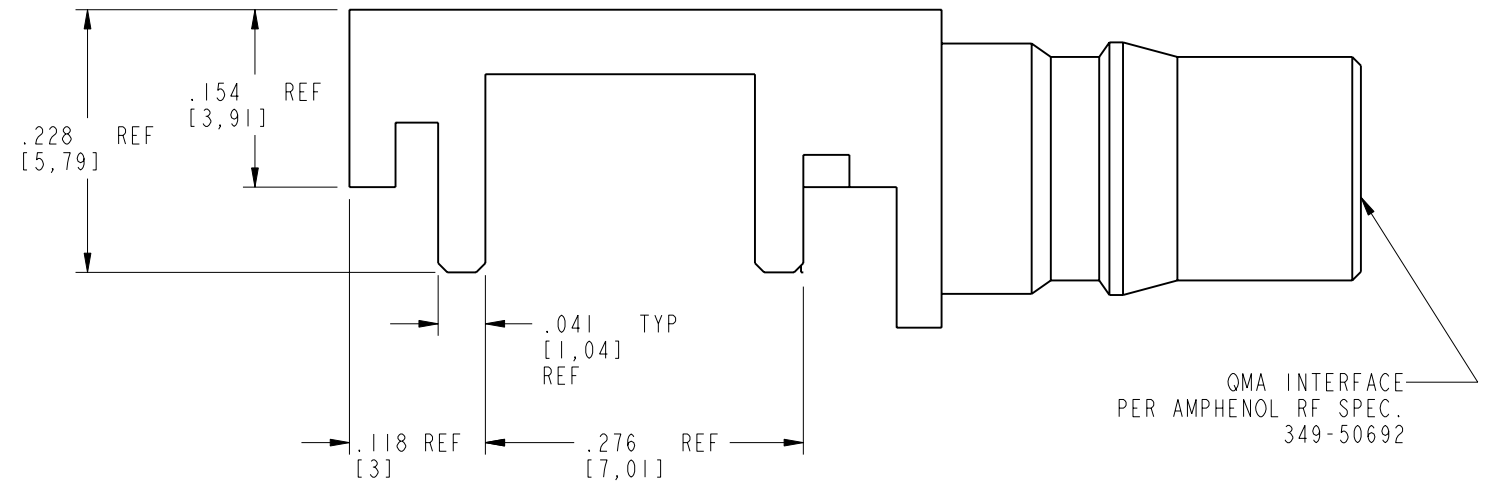
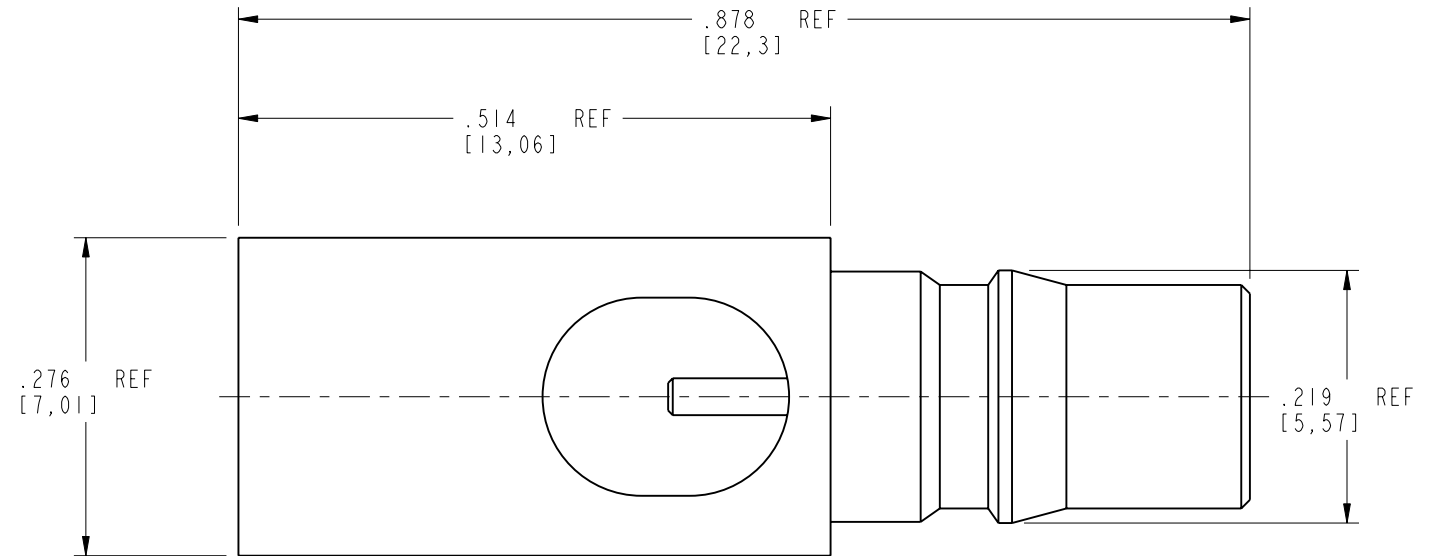


MOUNTING HOLES
SOLDER SURFACES

SECTION B-B
SCALE 4.000



SCALE 2.000



CUSTOMER OUTLINE DRAWING
ALL OTHER SHEETS ARE FOR INTERNAL USE ONLY

UNLESS OTHERWISE SPECIFIED, DIMENSIONS ARE IN INCHES AND TOLERANCES ARE:
 2 PLACE DECIMAL ±.015 (0,381 mm)
 3 PLACE DECIMAL ±.005 (0,127 mm)
 ANGLES ± 1°

NOTICE - These drawings, specifications, or other data (1) are, and remain the property of Amphenol Corp. (2) must be returned upon request; and (3) are confidential and not to be disclosed to any person other than those to whom they are given by Amphenol Corp. The furnishing of these drawings, specifications, or other data by Amphenol Corp., or to any other person to anyone for any purpose is not to be regarded by implication or otherwise in any manner licensing, granting rights or permitting such holder or any other person to manufacture, use or sell any product, process or design, patented or otherwise, that may in any way be related to or disclosed by said drawings, specifications, or other data.

MATERIAL	DRAWN	DATE	TITLE
	M.YU	15-Dec-05	QMA PCB JACK
	ENGINEER	DATE	EDGE MOUNT,
	G. ANTONINI	25-Aug-04	THROUGH HOLE
REFERENCE	APPROVED	DATE	
EAR 1932	K. CAPOZZI	9/4/08	
	CAD FILE	CODE ID	DWG SIZE
	930-159J-51S	74868	B

DRAWING NO.	REV	DESCRIPTION	DATE	ECO	APPR
930-159J-51S	A	RELEASE TO MFG.	9/29/08	47121	RR

DRAWING NO.	REV	DESCRIPTION	DATE	ECO	APPR
930-159J-51S	A	RELEASE TO MFG.	9/29/08	47121	RR

Amphenol RF	
Danbury, CT, USA	
Tainan, Taiwan	
Shenzhen, China	
www.amphenolrf.com	
SCALE: 6.0:1	SHEET 2 OF 2