



AMP MODU

TE Internal #: 928038-2

Housing, Receptacle, Wire-to-Wire, 14 Position, .1 in [2.54 mm]

Centerline, 2 Row, -65 – 105 °C [-85 – 221 °F]

[View on TE.com >](#)

Connectors > PCB Connectors > Board-to-Board Connectors > Board-to-Board Connector Housings



Connector & Housing Type: **Receptacle**

Connector System: **Wire-to-Wire**

Number of Positions: **14**

Centerline (Pitch): **2.54 mm [.1 in]**

Number of Rows: **2**

Features

Product Type Features

Connector & Housing Type	Receptacle
Connector System	Wire-to-Wire

Configuration Features

Number of Positions	14
Number of Rows	2

Body Features

Primary Product Color	Black
-----------------------	-------

Contact Features

Contact Type	Socket
--------------	--------

Housing Features

Centerline (Pitch)	2.54 mm [.1 in]
--------------------	-----------------

Usage Conditions

Operating Temperature Range	-65 – 105 °C [-85 – 221 °F]
-----------------------------	-----------------------------

Product Compliance

[For compliance documentation, visit the product page on TE.com>](#)

EU RoHS Directive 2011/65/EU	Compliant
EU ELV Directive 2000/53/EC	Compliant



China RoHS 2 Directive MIIT Order No 32, 2016	No Restricted Materials Above Threshold
EU REACH Regulation (EC) No. 1907/2006	Current ECHA Candidate List: JUNE 2024 (241) Candidate List Declared Against: JUNE 2022 (224) Does not contain REACH SVHC
Halogen Content	Not Low Halogen - contains Br or Cl > 900 ppm.
Solder Process Capability	Not applicable for solder process capability

Product Compliance Disclaimer

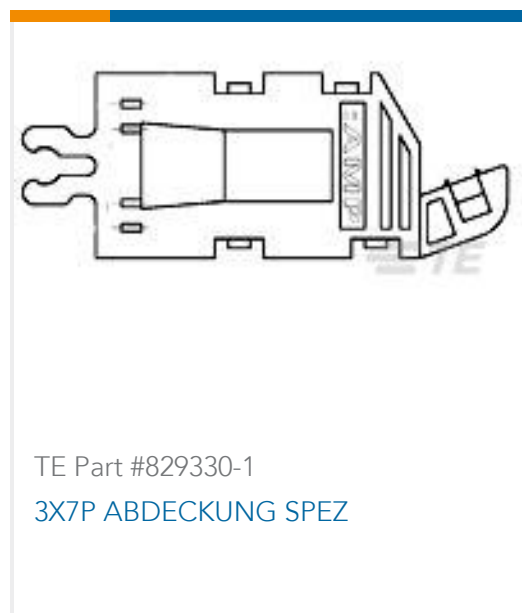
This information is provided based on reasonable inquiry of our suppliers and represents our current actual knowledge based on the information they provided. This information is subject to change. The part numbers that TE has identified as EU RoHS compliant have a maximum concentration of 0.1% by weight in homogenous materials for lead, hexavalent chromium, mercury, PBB, PBDE, DBP, BBP, DEHP, DIBP, and 0.01% for cadmium, or qualify for an exemption to these limits as defined in the Annexes of Directive 2011/65/EU (RoHS2). Finished electrical and electronic equipment products will be CE marked as required by Directive 2011/65/EU. Components may not be CE marked. Additionally, the part numbers that TE has identified as EU ELV compliant have a maximum concentration of 0.1% by weight in homogenous materials for lead, hexavalent chromium, and mercury, and 0.01% for cadmium, or qualify for an exemption to these limits as defined in the Annexes of Directive 2000/53/EC (ELV). Regarding the REACH Regulation, the information TE provides on SVHC in articles for this part number is based on the latest European Chemicals Agency (ECHA) 'Guidance on requirements for substances in articles' posted at this URL: <https://echa.europa.eu/guidance-documents/guidance-on-reach>

Compatible Parts

<p>TE Part # 215141-3 TANDEM SPR. MT RECPT</p>	<p>TE Part # 215141-5 TANDEM SPR. MT RECPT</p>	<p>TE Part # 928037-4 7P MT TAND BU GEH</p>
--	--	---

Customers Also Bought

<p>TE Part #787170-7 68 50SR R/A RCPT ASSY,REDESIGN</p>	<p>TE Part #C538733001 RAY-101-12.5(100)</p>	<p>TE Part #5557785-1 MJ,8POS,R/A,LPF</p>	<p>TE Part #104503-2 03 MTE PIN HSG SR RIB .100CL</p>
---	--	---	---



Documents

Product Drawings

2X7P MT TAND BU GEH

English

CAD Files

3D PDF

3D

Customer View Model

[ENG_CVM_CVM_928038-2_D.2d_dxf.zip](#)

English

Customer View Model

[ENG_CVM_CVM_928038-2_D.3d_igs.zip](#)

English

Customer View Model

[ENG_CVM_CVM_928038-2_D.3d_stp.zip](#)

English

By downloading the CAD file I accept and agree to the [Terms and Conditions](#) of use.

Product Specifications

Product Specification

Japanese

AMP Mini CT Connector 1.5mm Pitch (Crimp Type), Lead Free Version

Japanese

Product Specification

English