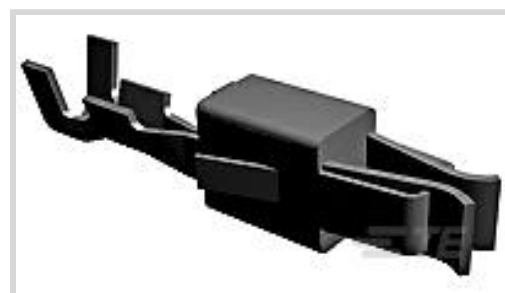




Terminals & Splices > Automotive Terminals



Terminal Type: **Receptacle**

Mating Tab Width: **2.8 mm [.11 in]**

Mating Tab Thickness: **.8 mm [.031 in]**

Wire Size: **.5 – 1 mm²**

Features

Product Type Features

Sealable	No
Primary Locking Feature	Locking Lance

Contact Features

Contact Size	2.8mm
Contact Fabrication	Stamped & Formed
Crimp Type	F-Crimp
Terminal Type	Receptacle
Mating Tab Width	2.8 mm [.11 in]
Mating Tab Thickness	.8 mm [.031 in]
Interface Plating	Tin (Sn)

Termination Features

Termination Method to Wire & Cable	Crimp
Product Terminates To	Wire & Cable

Dimensions

Wire Size	.5 – 1 mm ²
-----------	------------------------

Usage Conditions

Insulation Option	Uninsulated
Operating Temperature (Max)	130 °C [266 °F]
Operating Temperature Range	-40 – 130 °C [-40 – 266 °F]



Packaging Features

Packaging Quantity	1000
Packaging Method	Box

Product Compliance

[For compliance documentation, visit the product page on TE.com>](#)

EU RoHS Directive 2011/65/EU	Compliant
EU ELV Directive 2000/53/EC	Compliant
China RoHS 2 Directive MIIT Order No 32, 2016	No Restricted Materials Above Threshold
EU REACH Regulation (EC) No. 1907/2006	Current ECHA Candidate List: JAN 2024 (240) Candidate List Declared Against: JAN 2024 (240) Does not contain REACH SVHC
Halogen Content	Low Halogen - Br, Cl, F, I < 900 ppm per homogenous material. Also BFR/CFR/PVC Free
Solder Process Capability	Not applicable for solder process capability

Product Compliance Disclaimer

This information is provided based on reasonable inquiry of our suppliers and represents our current actual knowledge based on the information they provided. This information is subject to change. The part numbers that TE has identified as EU RoHS compliant have a maximum concentration of 0.1% by weight in homogenous materials for lead, hexavalent chromium, mercury, PBB, PBDE, DBP, BBP, DEHP, DIBP, and 0.01% for cadmium, or qualify for an exemption to these limits as defined in the Annexes of Directive 2011/65/EU (RoHS2). Finished electrical and electronic equipment products will be CE marked as required by Directive 2011/65/EU. Components may not be CE marked. Additionally, the part numbers that TE has identified as EU ELV compliant have a maximum concentration of 0.1% by weight in homogenous materials for lead, hexavalent chromium, and mercury, and 0.01% for cadmium, or qualify for an exemption to these limits as defined in the Annexes of Directive 2000/53/EC (ELV). Regarding the REACH Regulation, the information TE provides on SVHC in articles for this part number is based on the latest European Chemicals Agency (ECHA) 'Guidance on requirements for substances in articles' posted at this URL: <https://echa.europa.eu/guidance-documents/guidance-on-reach>

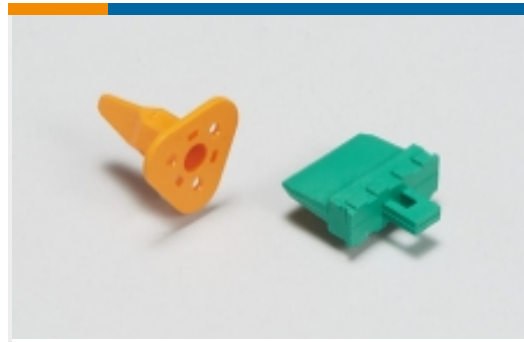
Compatible Parts

<p>REPRESENTATION ONLY. DIE SET MAY VARY. TE</p> <p>TE Part # 2390881-1 SDE F JR PWR TMR 0.5-1.0mm2 ASSY</p>	<p>TE Part # 2390881-2 SDE F JR PWR TMR 0.5-1.0mm2 DIE SET</p>	<p>REPRESENTATION ONLY. DIE SET MAY VARY. TE</p> <p>TE Part # 2392900-1 SDE F JR/STD TIMER 0.5-1.0mm2 ASSY</p>	<p>TE Part # 2392900-2 SDE F JR/STD TIMER 0.5-1.0mm2 DIE SET</p>
--	--	--	--

Also in the Series | Junior Power Timer



Automotive Connector Caps & Covers (9)



Automotive Connector Locks & Position Assurance (8)



Automotive Housings (324)



Automotive Terminals (190)



Busbars & Terminals (1)



Connector Seals & Cavity Plugs (9)



Insertion & Extraction Tools (8)



Module Components (1)

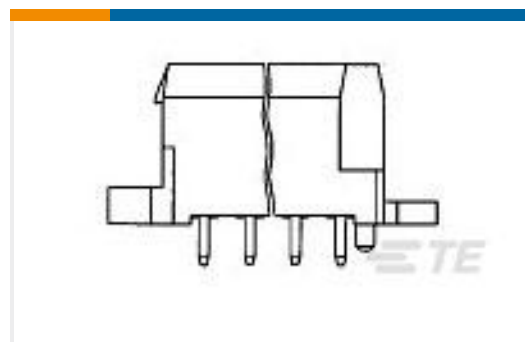


Other Automotive Connector Accessories (2)

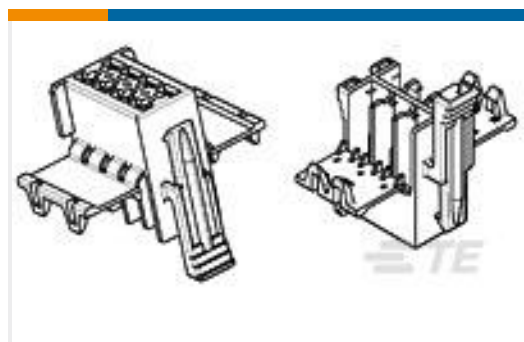


Special Purpose Terminals (2)

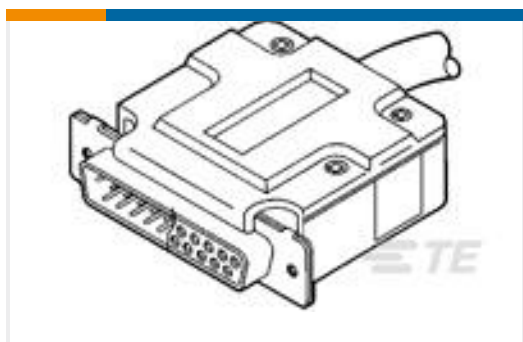
Customers Also Bought



TE Part #963357-6
2X 2P MESSERLEISTE



TE Part #929504-1
2X 2P JUN POW TIMGH



TE Part #207467-1
CABLE CLAMP KIT, SZ 1



TE Part #K1060161
Battery Disconnecter 35-200



TE Part #K1154971
Push button switch TS-223-GE31 916



TE Part #928931-2
FF 110 (2.8 X 0.8 MM) TAB PTP CUZN30



TE Part #927777-1
JUNIOR POWER TIMER CONTACT



TE Part #927777-3
JUNIOR POWER TIMER CONTACT



Documents

Product Drawings

[JPT REC 2.8 Contact SRC Sn \(LP\)](#)

English

CAD Files

Customer View Model

[ENG_CVM_927779-3_A9.3d_igs.zip](#)

English

Customer View Model

[ENG_CVM_927779-3_A9.3d_stp.zip](#)

English

Customer View Model

[ENG_CVM_927779-3_A9.2d_dxf.zip](#)

English

3D PDF

English

By downloading the CAD file I accept and agree to the [Terms and Conditions](#) of use.

Product Specifications

[Application Specification](#)

English