

925662-1 ✓ ACTIVE

MATE-N-LOK | Commercial MATE-N-LOK

TE Internal #: 925662-1

Pin Contact, Tin, 250 VAC, Locking Lance Contact Retention,  
Discrete Wire, 14 – 10 AWG Wire Size, 2.1 – 5.3 mm<sup>2</sup> Wire Size,  
Commercial MATE-N-LOK

[View on TE.com >](#)



Connectors > Contacts > Connector Contacts



Contact Type: **Pin**

Contact Mating Area Plating Material: **Tin**

Wire Contact Termination Area Plating Material: **Pre-Tin**

Operating Voltage: **250 VAC**

Contact Retention Within Housing: **With**

## Features

### Configuration Features

Compatible With Wire & Cable Type	Discrete Wire
-----------------------------------	---------------

### Electrical Characteristics

Operating Voltage	250 VAC
-------------------	---------

### Contact Features

Contact Diameter	3.56 mm [.14 in]
------------------	------------------

Contact Type	Pin
--------------	-----

Contact Mating Area Plating Material	Tin
--------------------------------------	-----

Wire Contact Termination Area Plating Material	Pre-Tin
--	---------

Contact Retention Within Housing	With
----------------------------------	------

Contact Base Material	Brass
-----------------------	-------

Contact Current Rating (Max)	28 A
------------------------------	------

### Termination Features

Termination Method to Wire & Cable	Crimp
------------------------------------	-------

Product Terminates To	Wire & Cable
-----------------------	--------------



### Mechanical Attachment

Contact Retention Type Within Housing	Locking Lance
---------------------------------------	---------------

### Dimensions

Compatible Insulation Diameter Range	2.5 – 4.5 mm [.098 – .177 in]
Wire Size	2.1 – 5.3 mm <sup>2</sup>

### Usage Conditions

Operating Temperature Range	-55 – 105 °C [-67 – 221 °F]
-----------------------------	-----------------------------

### Packaging Features

Packaging Quantity	500
Packaging Method	Box

### Product Compliance

[For compliance documentation, visit the product page on TE.com>](#)

EU RoHS Directive 2011/65/EU	Compliant
EU ELV Directive 2000/53/EC	Compliant
China RoHS 2 Directive MIIT Order No 32, 2016	No Restricted Materials Above Threshold
EU REACH Regulation (EC) No. 1907/2006	Current ECHA Candidate List: JUNE 2023 (235) Candidate List Declared Against: JUNE 2023 (235) Does not contain REACH SVHC
Halogen Content	Low Halogen - Br, Cl, F, I < 900 ppm per homogenous material. Also BFR/CFR/PVC Free
Solder Process Capability	Not applicable for solder process capability

#### Product Compliance Disclaimer

This information is provided based on reasonable inquiry of our suppliers and represents our current actual knowledge based on the information they provided. This information is subject to change. The part numbers that TE has identified as EU RoHS compliant have a maximum concentration of 0.1% by weight in homogenous materials for lead, hexavalent chromium, mercury, PBB, PBDE, DBP, BBP, DEHP, DIBP, and 0.01% for cadmium, or qualify for an exemption to these limits as defined in the Annexes of Directive 2011/65/EU (RoHS2). Finished electrical and electronic equipment products will be CE marked as required by Directive 2011/65/EU. Components may not be CE marked. Additionally, the part numbers that TE has identified as EU ELV compliant have a maximum concentration of 0.1% by weight in homogenous materials for lead, hexavalent chromium, and mercury, and 0.01% for cadmium, or qualify for an exemption to these limits as defined in the Annexes of Directive 2000/53/EC (ELV). Regarding the REACH Regulation, the information TE provides on SVHC in articles for this part number is based on the latest European Chemicals Agency (ECHA) 'Guidance on requirements for substances in articles' posted at this URL: <https://echa.europa.eu/guidance-documents/guidance-on-reach>

## Compatible Parts



TE Part # 1-480586-0  
09P .140 MNL CAP NAT



TE Part # 1-350347-0  
03P .140 MNL CAP PM NAT



TE Part # 1-480673-0  
09P .140 MNL CAP PM NAT



TE Part # 1-350345-0  
02P .140 MNL CAP P/M NAT



TE Part # 1-480512-0  
04P .140 MNL CAP NAT



TE Part # 794683-1  
09P .140 MNL CAP BLK HT



TE Part # 539764-1  
EXTRACTION TOOL



TE Part # 925450-1  
M-N-L PIN HSG




TE Part # 794061-1  
03P .140 MNL CAP BLK HT




TE Part # 926995-1  
.140 DIA MNL SOCKET


## Also in the Series | Commercial MATE-N-LOK



Connector Caps & Covers(2)




Connector Contacts(150)




Connector Seals & Cavity Plugs(1)




Crimp Wire Pins, Tabs & Ferrules(2)




Insertion & Extraction Tools(3)



Rectangular Connector Housings(9)



Rectangular Power Connectors(167)



Standard Circular Connectors(2)

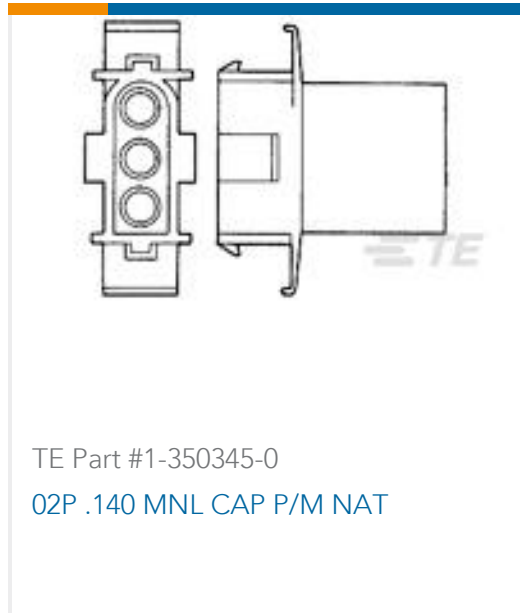


Standard Rectangular Connectors(7)

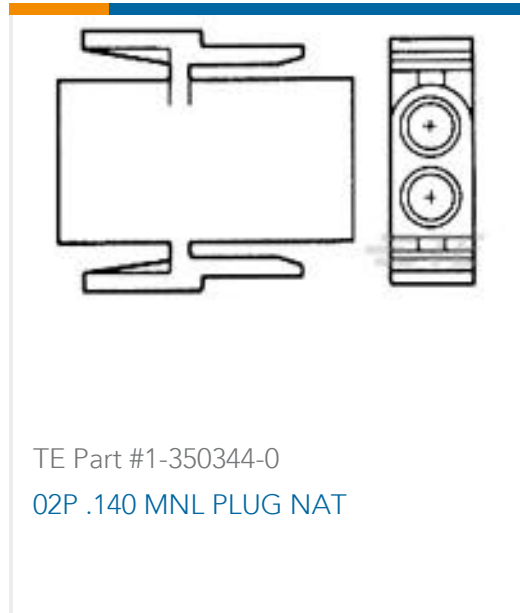
### Customers Also Bought



TE Part #130191  
TERM, SOLIS R 12-10 5MM



TE Part #1-350345-0  
02P .140 MNL CAP P/M NAT



TE Part #1-350344-0  
02P .140 MNL PLUG NAT



TE Part #3-826629-6  
1X36 POS AMPMODU II HEADER



TE Part #831875-000  
SLT-3X



TE Part #925451-1  
M-N-L SOCKET HSG



TE Part #5885930022  
TRSA-1019/E/1/2



TE Part #0068670003  
TRSA-1019/G/1/1



TE Part #0068670001  
TRSA-1019/G/1/3

### Documents

#### Product Drawings

9140 DIA PIN

English

#### CAD Files

3D PDF

3D

#### Customer View Model

ENG\_CVM\_CVM\_925662-1\_L\_c-925662-1-l.2d\_dxf.zip



English

**Customer View Model**

[ENG\\_CVM\\_CVM\\_925662-1\\_L\\_c-925662-1-l.3d\\_igs.zip](#)

English

**Customer View Model**

[ENG\\_CVM\\_CVM\\_925662-1\\_L\\_c-925662-1-l.3d\\_stp.zip](#)

English

By downloading the CAD file I accept and agree to the [Terms and Conditions](#) of use.

## Product Specifications

[Product Specification](#)

English