

925367-4 ✓ ACTIVE

AMPMODU | AMPMODU IV/V

TE Internal #: 925367-4

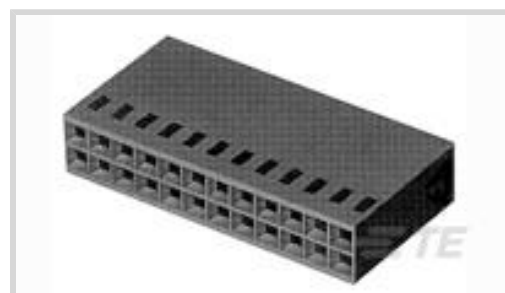
Housing, Receptacle, Wire-to-Board, 8 Position, .1 in [2.54 mm]

Centerline, Crimp, 2 Row, Green, Wire & Cable, Signal, AMPMODU IV/V

[View on TE.com >](#)



Connectors > PCB Connectors > Wire-to-Board Connectors > Wire-to-Board Connector Assemblies & Housings



Connector Product Type: **Housing**

Connector & Housing Type: **Receptacle**

Connector System: **Wire-to-Board**

Number of Positions: **8**

Centerline (Pitch): **2.54 mm [.1 in]**

## Features

### Product Type Features

Connector Product Type	Housing
Connector & Housing Type	Receptacle
Connector System	Wire-to-Board
Connector & Contact Terminates To	Wire & Cable

### Configuration Features

Number of Positions	8
Number of Rows	2

### Electrical Characteristics

Operating Voltage	250 VAC
-------------------	---------

### Body Features

Primary Product Color	Green
-----------------------	-------

### Contact Features

Contact Type	Socket
Contact Current Rating (Max)	3 A

### Termination Features

Termination Method to Wire & Cable	Crimp
------------------------------------	-------

### Mechanical Attachment



Strain Relief	Without
Mating Retention	Without
Connector Mounting Type	Cable Mount (Free-Hanging)

### Housing Features

Housing Entry Configuration	Both Ends Closed
Housing Material	PA 6.6
Centerline (Pitch)	2.54 mm[.1 in]

### Dimensions

	.55 in
Row-to-Row Spacing	2.54 mm[.1 in]

### Usage Conditions

Operating Temperature Range	-65 – 105 °C[-85 – 221 °F]
-----------------------------	----------------------------

### Operation/Application

Circuit Application	Signal
---------------------	--------

### Industry Standards

Glow Wire Rating	Standard Part - Not Glow Wire
UL Flammability Rating	UL 94V-0

### Packaging Features

Packaging Quantity	1000
Packaging Method	Box

### Product Compliance

[For compliance documentation, visit the product page on TE.com>](#)

EU RoHS Directive 2011/65/EU	Compliant
EU ELV Directive 2000/53/EC	Compliant
China RoHS 2 Directive MIIT Order No 32, 2016	No Restricted Materials Above Threshold
EU REACH Regulation (EC) No. 1907/2006	Current ECHA Candidate List: JUNE 2024 (241) Candidate List Declared Against: JUNE 2024 (241) Does not contain REACH SVHC
Halogen Content	BFR/CFR/PVC Free, but Br/Cl >900 ppm in other sources.
Solder Process Capability	Not applicable for solder process capability

Product Compliance Disclaimer

This information is provided based on reasonable inquiry of our suppliers and represents our current actual knowledge based on the information they provided. This information is subject to change. The part numbers that TE has identified as EU RoHS compliant have a maximum concentration of 0.1% by weight in homogenous materials for lead, hexavalent chromium, mercury, PBB, PBDE, DBP, BBP, DEHP, DIBP, and 0.01% for cadmium, or qualify for an exemption to these limits as defined in the Annexes of Directive 2011/65/EU (RoHS2). Finished electrical and electronic equipment products will be CE marked as required by Directive 2011/65/EU. Components may not be CE marked. Additionally, the part numbers that TE has identified as EU ELV compliant have a maximum concentration of 0.1% by weight in homogenous materials for lead, hexavalent chromium, and mercury, and 0.01% for cadmium, or qualify for an exemption to these limits as defined in the Annexes of Directive 2000/53/EC (ELV). Regarding the REACH Regulation, the information TE provides on SVHC in articles for this part number is based on the latest European Chemicals Agency (ECHA) 'Guidance on requirements for substances in articles' posted at this URL: <https://echa.europa.eu/guidance-documents/guidance-on-reach>

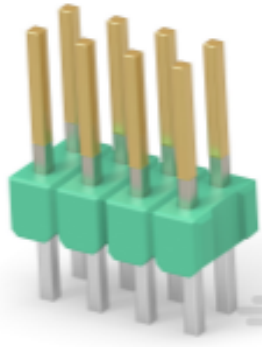
## Compatible Parts



TE Part # 1241050-4  
2x4P MOD II BREAK AWAY HDR,SMD, BLISTER



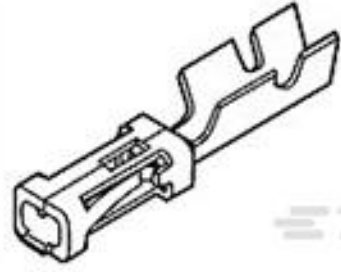
TE Part # 826925-4  
4P MOD2 STIFT LEI



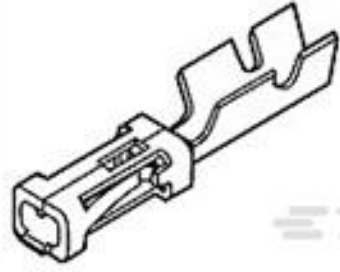
TE Part # 826632-4  
4P AMPMODU II PIN HDR.




TE Part # 826656-4  
4P AMPMODU II STIFT LEI



TE Part # 141603-4  
MOD-4 REC.CONTACT



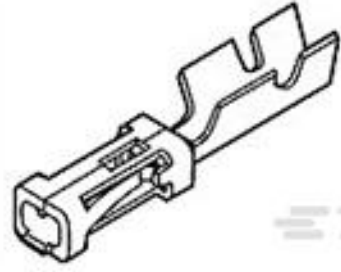
TE Part # 1-141708-1  
MOD IV RECEPTACLE, CRIMP SNAP IN, LP



TE Part # 926519-2  
KEYING PLUG



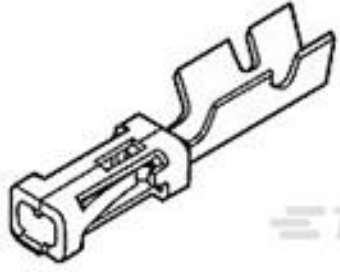
TE Part # 141708-1  
MOD-4 REC.CONT.SCP.



TE Part # 167021-2  
MOD-4 REC.CONT.SCP.



TE Part # 167301-4  
MOD-4 REC.CONT.SCP



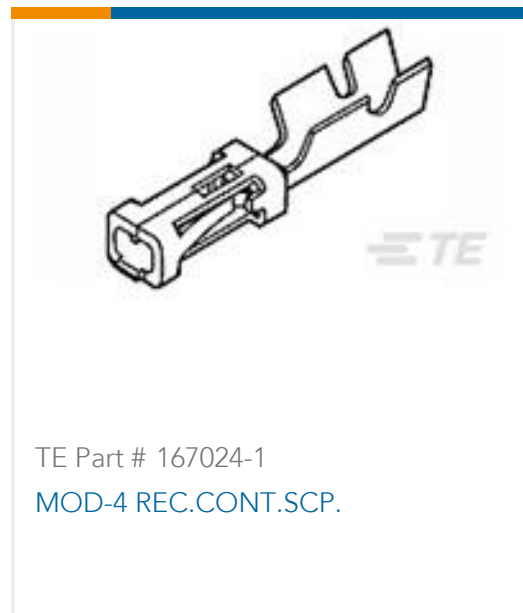
TE Part # 2-167301-4  
MOD-4 REC.CONT.SCP



TE Part # 2-167301-2  
MOD-4 REC.CONT.SCP



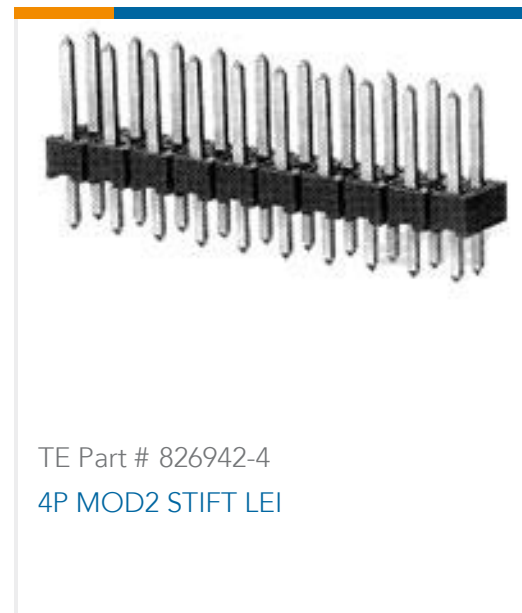
TE Part # 166309-2  
MOD-5 REC.CONTACT



TE Part # 167024-1  
MOD-4 REC.CONT.SCP.



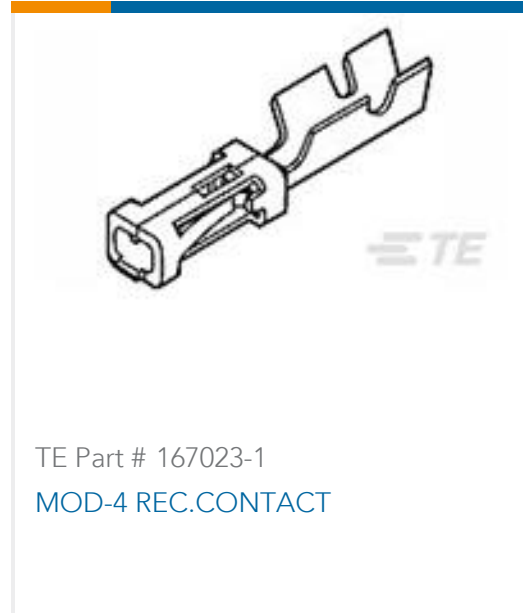
TE Part # 826634-4  
AMPMODU MOD II PIN HEADER



TE Part # 826942-4  
4P MOD2 STIFT LEI



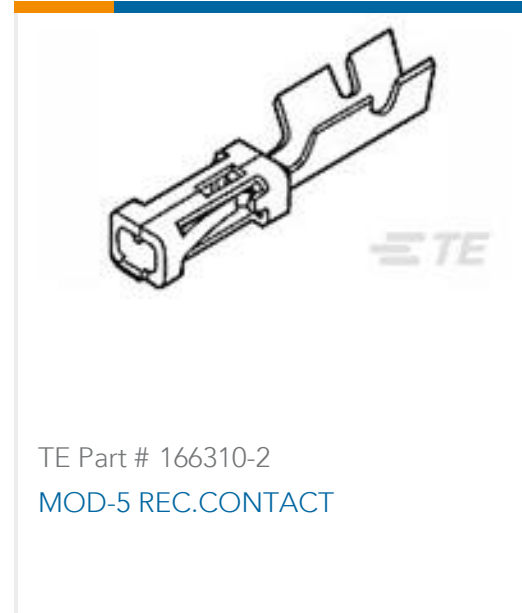
TE Part # 826658-4  
4P AMPMODU II STIFT LEI



TE Part # 167023-1  
MOD-4 REC.CONTACT

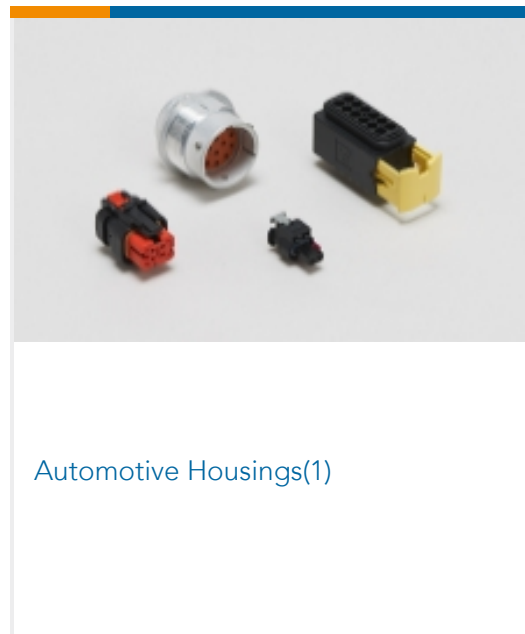


TE Part # 826664-4  
4P MOD2 STIFT LEI

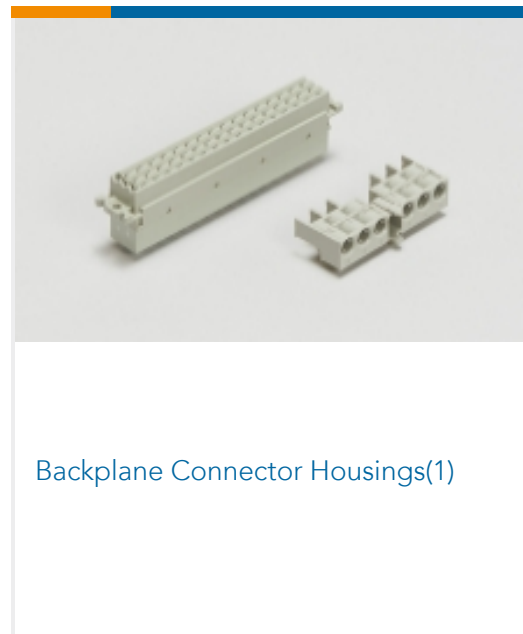


TE Part # 166310-2  
MOD-5 REC.CONTACT

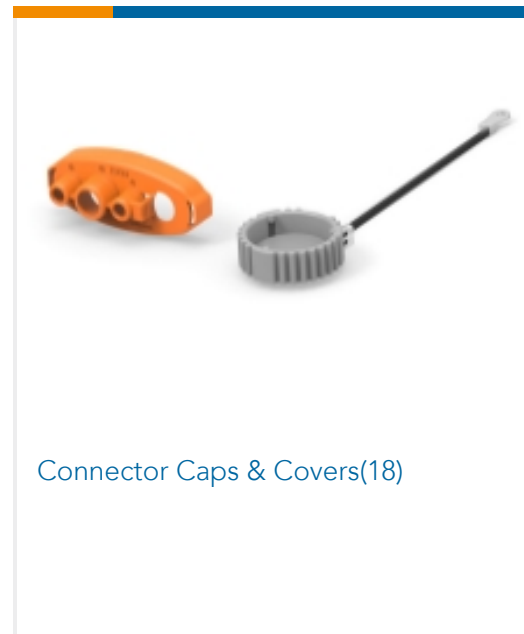
Also in the Series | AMPMODU IV/V



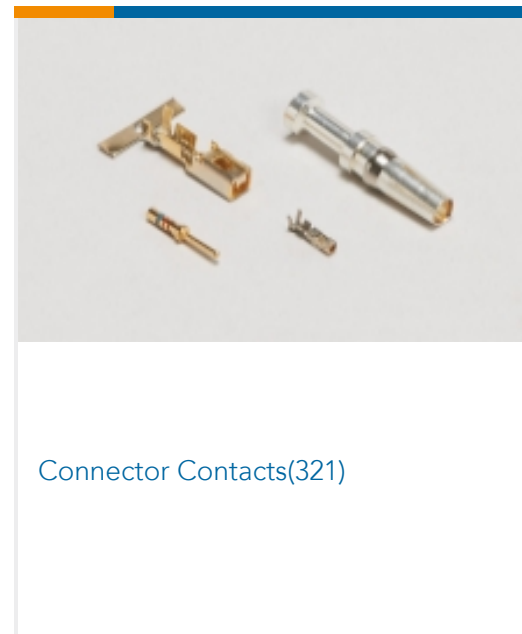
Automotive Housings(1)



Backplane Connector Housings(1)



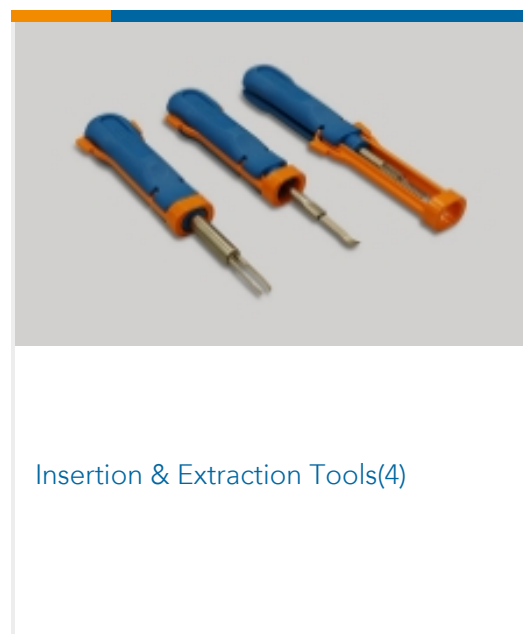
Connector Caps & Covers(18)



Connector Contacts(321)



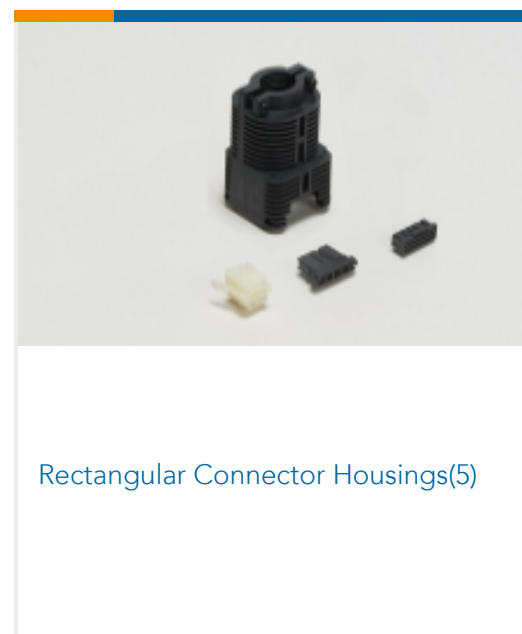
Connector Hardware(13)



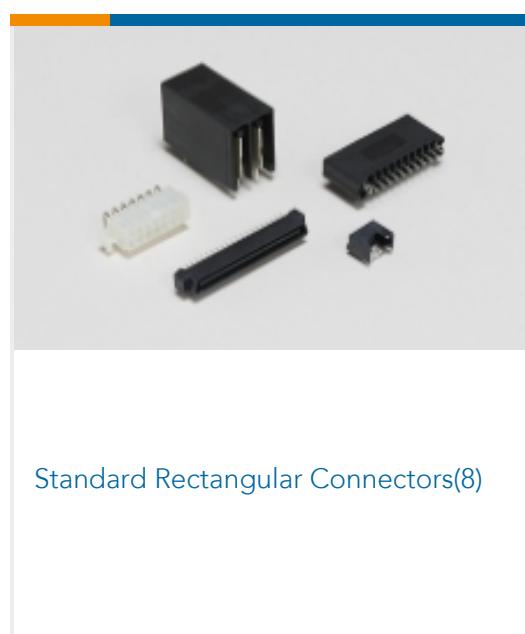
Insertion & Extraction Tools(4)



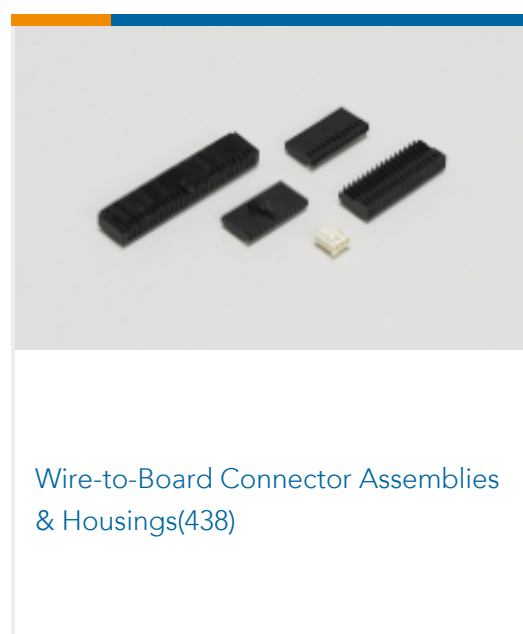
PCB Headers & Receptacles(931)



Rectangular Connector Housings(5)

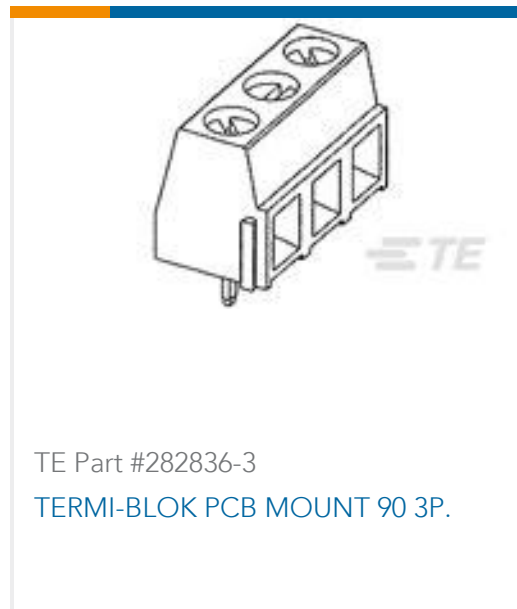
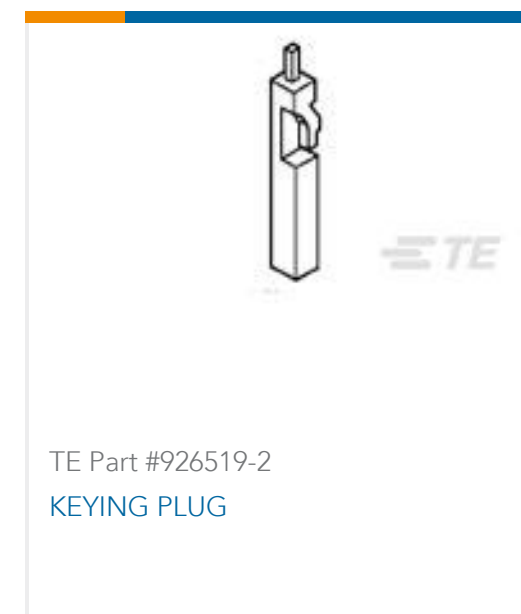
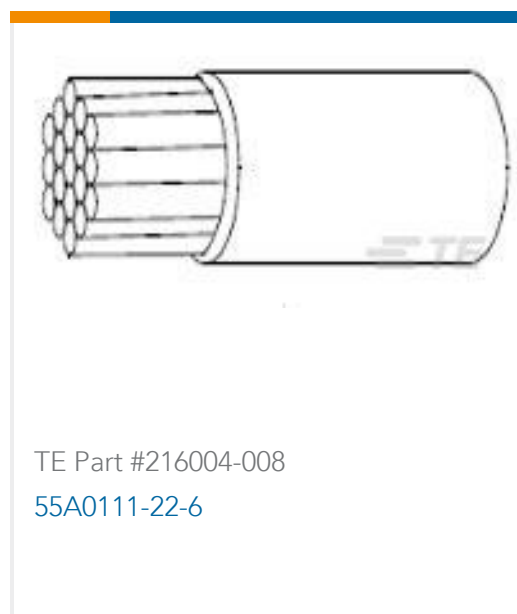


Standard Rectangular Connectors(8)



Wire-to-Board Connector Assemblies  
& Housings(438)

Customers Also Bought



## Documents

### Product Drawings

#### MOD 4 REC.HSG 2X04P

English

### CAD Files

#### 3D PDF

3D

#### Customer View Model

[ENG\\_CVM\\_CVM\\_925367-4\\_AA.2d\\_dxf.zip](#)

English

#### Customer View Model

[ENG\\_CVM\\_CVM\\_925367-4\\_AA.3d\\_igs.zip](#)

English

#### Customer View Model

[ENG\\_CVM\\_CVM\\_925367-4\\_AA.3d\\_stp.zip](#)

English

By downloading the CAD file I accept and agree to the [Terms and Conditions](#) of use.

### Product Specifications

#### Application Specification

English

### Agency Approvals

#### UL Report

English