



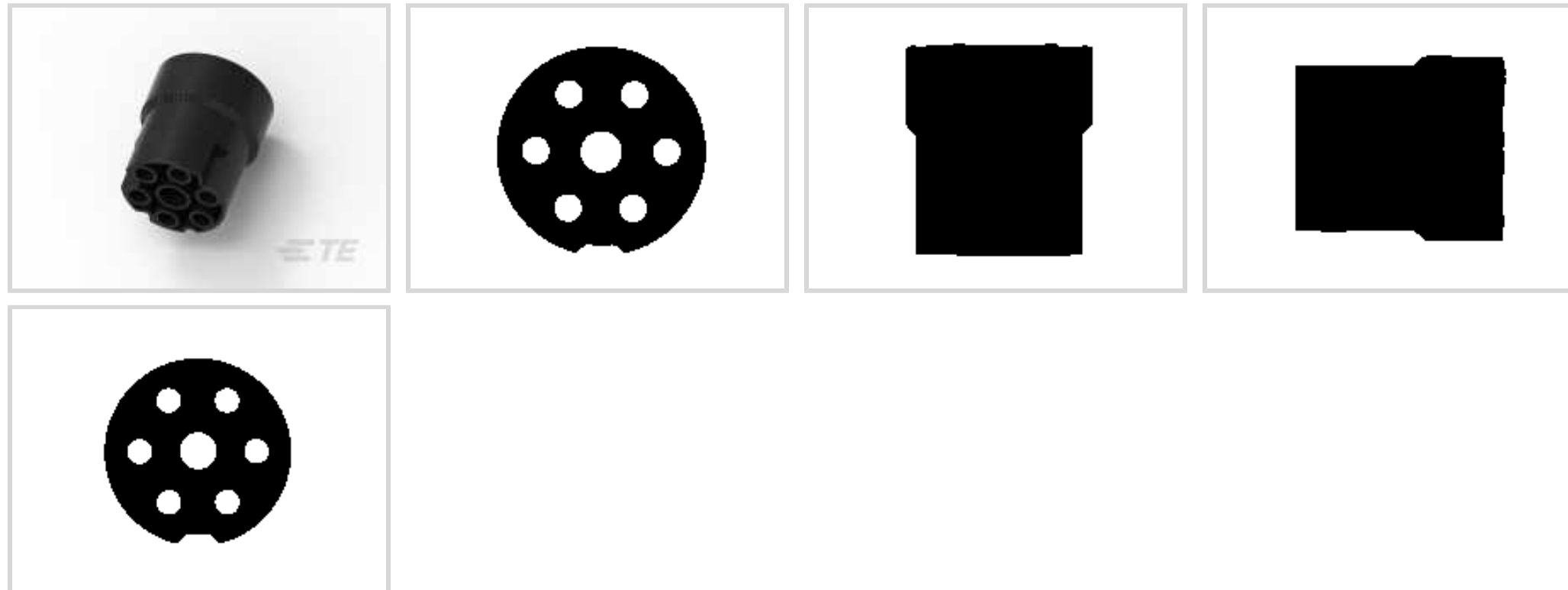
AMP | Round Connector System

TE Internal #: 925264-1

Housing for Female Terminals, Wire-to-Wire, 7 Position, .531 in [13.5 mm] Centerline, Natural, Cable Mount (Free-Hanging), Round Connector System

[View on TE.com >](#)

Connectors > Automotive Connectors > Automotive Housings



Connector & Housing Type: **Housing for Female Terminals**

Mating Pin Diameter: **1.6 mm, 3.5 mm [ .063 in, .138 in ]**

Connector System: **Wire-to-Wire**

Number of Positions: **7**

Centerline (Pitch): **13.5 mm [ .531 in ]**

**Features**

**Product Type Features**

Connector Shape	Circular
Connector & Housing Type	Housing for Female Terminals
Connector System	Wire-to-Wire
Sealable	No
Hybrid Connector	Yes
Primary Locking Feature	On the Terminal

**Configuration Features**

Number of Positions	7
---------------------	---

**Electrical Characteristics**

Operating Voltage	12 VDC
Nominal Voltage Architecture	12 V

**Body Features**

Cable Exit Angle	180°
Primary Product Color	Natural



### Contact Features

Contact Size	3.5mm
Contact Type	Socket
Mating Pin Diameter	1.6 mm, 3.5 mm [.063 in][.138 in]

### Mechanical Attachment

Terminal Position Assurance	No
Strain Relief	Without
Mating Alignment Type	Polarization Slot
Mating Alignment	With
Connector Mounting Type	Cable Mount (Free-Hanging)

### Housing Features

Housing Material	PA
Centerline (Pitch)	13.5 mm [.531 in]

### Dimensions

Connector Height	21.5 mm [.846 in]
Product Width	24 mm [.945 in]

### Usage Conditions

Operating Temperature (Max)	70 °C, 75 °C, 80 °C, 85 °C, 90 °C, 100 °C, 105 °C [158 °F][167 °F][176 °F][185 °F][194 °F][212 °F][221 °F]
Operating Temperature Range	-40 – 105 °C [-40 – 221 °F]

### Industry Standards

UL Flammability Rating	UL 94HB
------------------------	---------

### Packaging Features

Packaging Quantity	2000
Packaging Method	Bag & Box

### Other

Serviceable	Yes
Connector Position Assurance Capable	No

### Product Compliance

[For compliance documentation, visit the product page on TE.com>](#)

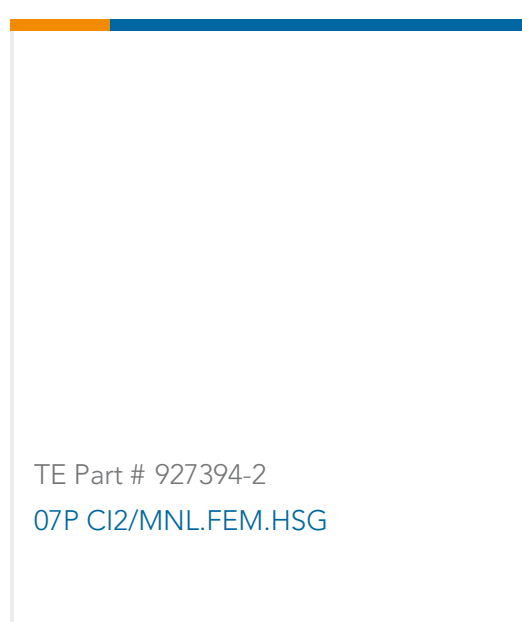


EU RoHS Directive 2011/65/EU	Compliant
EU ELV Directive 2000/53/EC	Compliant
China RoHS 2 Directive MIIT Order No 32, 2016	No Restricted Materials Above Threshold
EU REACH Regulation (EC) No. 1907/2006	Current ECHA Candidate List: JAN 2023 (233) Candidate List Declared Against: JAN 2023 (233) Does not contain REACH SVHC
Halogen Content	Low Halogen - Br, Cl, F, I < 900 ppm per homogenous material. Also BFR/CFR/PVC Free
Solder Process Capability	Not applicable for solder process capability

Product Compliance Disclaimer

This information is provided based on reasonable inquiry of our suppliers and represents our current actual knowledge based on the information they provided. This information is subject to change. The part numbers that TE has identified as EU RoHS compliant have a maximum concentration of 0.1% by weight in homogenous materials for lead, hexavalent chromium, mercury, PBB, PBDE, DBP, BBP, DEHP, DIBP, and 0.01% for cadmium, or qualify for an exemption to these limits as defined in the Annexes of Directive 2011/65/EU (RoHS2). Finished electrical and electronic equipment products will be CE marked as required by Directive 2011/65/EU. Components may not be CE marked. Additionally, the part numbers that TE has identified as EU ELV compliant have a maximum concentration of 0.1% by weight in homogenous materials for lead, hexavalent chromium, and mercury, and 0.01% for cadmium, or qualify for an exemption to these limits as defined in the Annexes of Directive 2000/53/EC (ELV). Regarding the REACH Regulation, the information TE provides on SVHC in articles for this part number is based on the latest European Chemicals Agency (ECHA) 'Guidance on requirements for substances in articles' posted at this URL: <https://echa.europa.eu/guidance-documents/guidance-on-reach>

## Compatible Parts



## Also in the Series | Round Connector System



Automotive Connector Caps & Covers (5)



Automotive Housings(16)



Automotive Seals & Cavity Plugs(3)

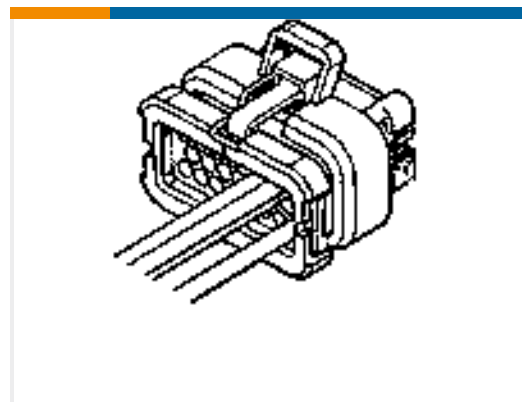


Automotive Terminals(74)



Insertion & Extraction Tools(8)

### Customers Also Bought



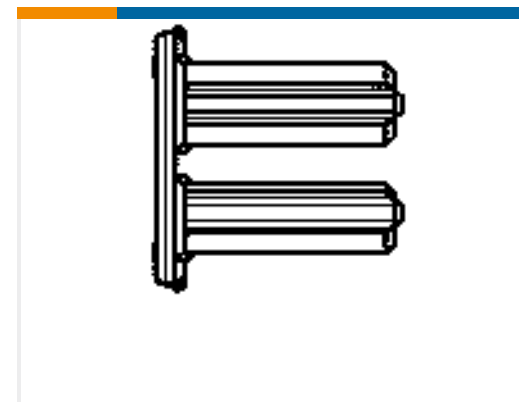
TE Part #776164-6  
35POS,AMPSEAL,SOC HSG ASSY,SLD, COD 6



TE Part #2236721-1  
ADAPTER,FOR TAB HOUSING,ASSY



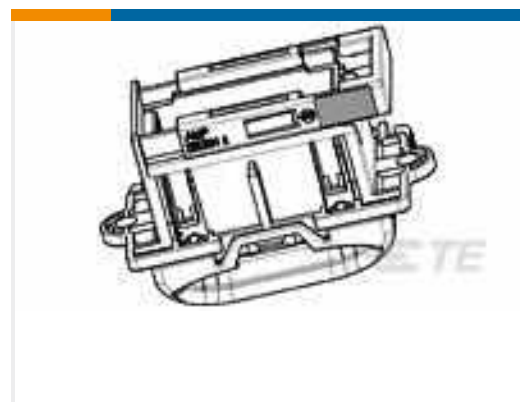
TE Part #929504-7  
Timer Connector Housing



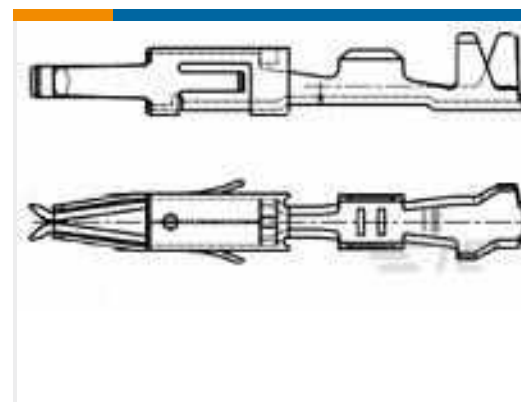
TE Part #967635-1  
2.0 KONT



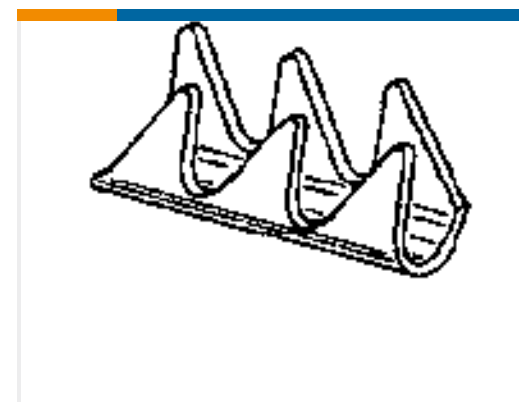
TE Part #170360-4  
MINI UNIVERSAL M-N-L PIN



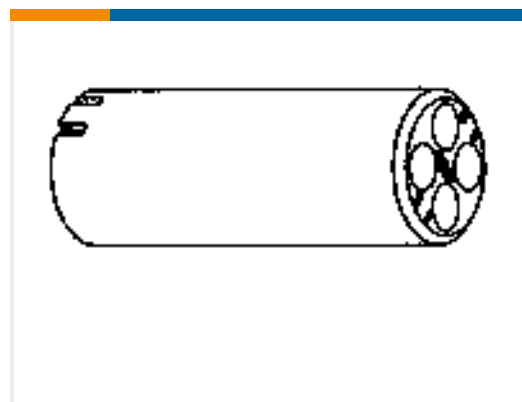
TE Part #1418985-2  
FRAME FOR MICRO TIMER 3 REC. HSG. 16 POS



TE Part #969022-1  
MT3 REC 1.6 Contact SRC Au



TE Part #926933-2  
WIRE PIN 18-17 AWG .01 BR



TE Part #215598-1  
4P.CI-2 PIN HSG.

### Documents



## Product Drawings

7P CIC MIX BU GEH

English

---

## CAD Files

Customer View Model

[ENG\\_CVM\\_CVM\\_925264-1\\_J.2d\\_dxf.zip](#)

English

3D PDF

3D

Customer View Model

[ENG\\_CVM\\_CVM\\_925264-1\\_J.3d\\_igs.zip](#)

English

Customer View Model

[ENG\\_CVM\\_CVM\\_925264-1\\_J.3d\\_stp.zip](#)

English

By downloading the CAD file I accept and agree to the [Terms and Conditions](#) of use.