



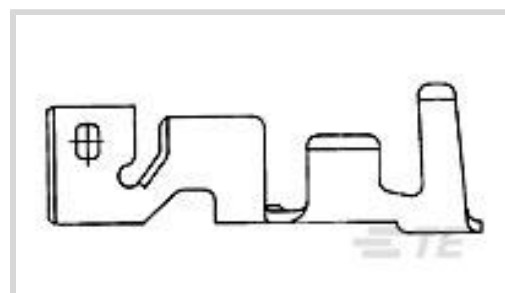
MIS

TE Internal #: 92007-1

Socket Contact, Tin, Discrete Wire, 30 – 22 AWG Wire Size, .05 – .35 mm<sup>2</sup> Wire Size, Crimp, Phosphor Bronze, Signal, -13 – 221 °F [-25 – 105 °C], MIS

[View on TE.com >](#)

Connectors > Contacts > Connector Contacts



Contact Type: **Socket**

Contact Mating Area Plating Material: **Tin**

Wire Contact Termination Area Plating Material: **Pre-Tin**

Compatible With Wire & Cable Type: **Discrete Wire**

Wire Size: **30 – 22 AWG**

**Features**

**Configuration Features**

Compatible With Wire & Cable Type	Discrete Wire
-----------------------------------	---------------

**Electrical Characteristics**

Insulation Resistance	1000 MΩ
-----------------------	---------

**Contact Features**

Mating Pin Diameter	.64 mm[.025 in]
Contact Type	Socket
Contact Mating Area Plating Material	Tin
Wire Contact Termination Area Plating Material	Pre-Tin
Contact Base Material	Phosphor Bronze
Contact Current Rating (Max)	2 A, 2.5 A

**Termination Features**

Termination Method to Wire & Cable	Crimp
Product Terminates To	Wire & Cable

**Mechanical Attachment**

Wire Insulation Support	With
-------------------------	------

**Dimensions**

Compatible Insulation Diameter Range	1 – 1.9 mm[.039 – .075 in]
Wire Size	.05 – .35 mm <sup>2</sup>

### Usage Conditions

Operating Temperature Range	-25 – 105 °C[-13 – 221 °F]
-----------------------------	----------------------------

### Operation/Application

Circuit Application	Signal
---------------------	--------

### Packaging Features

Packaging Quantity	10000
Packaging Method	Strip

### Product Compliance

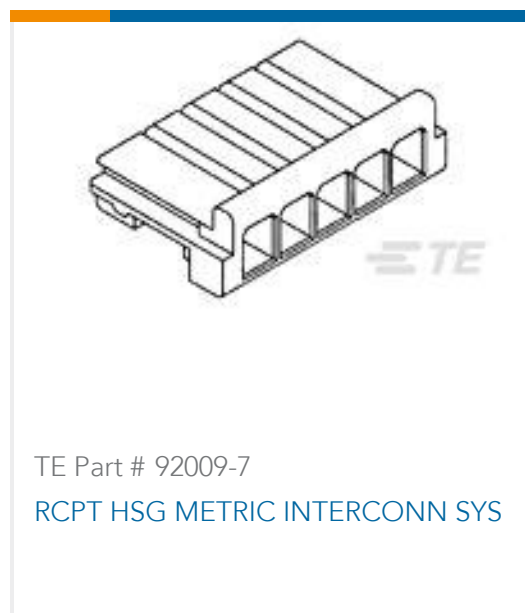
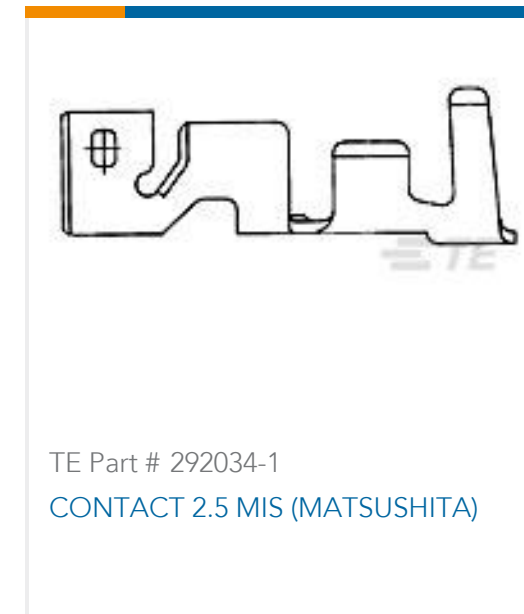
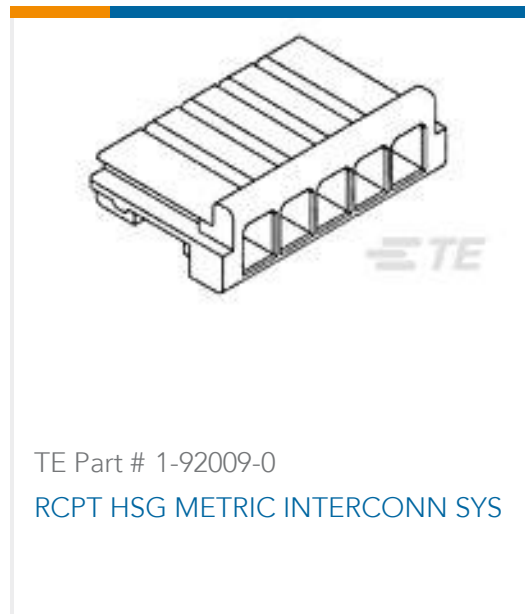
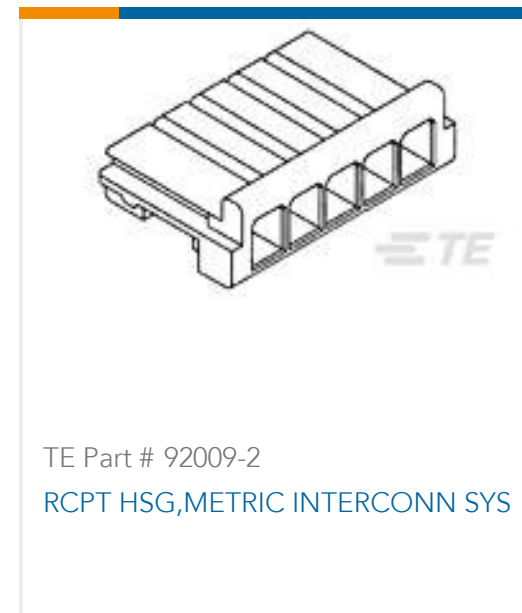
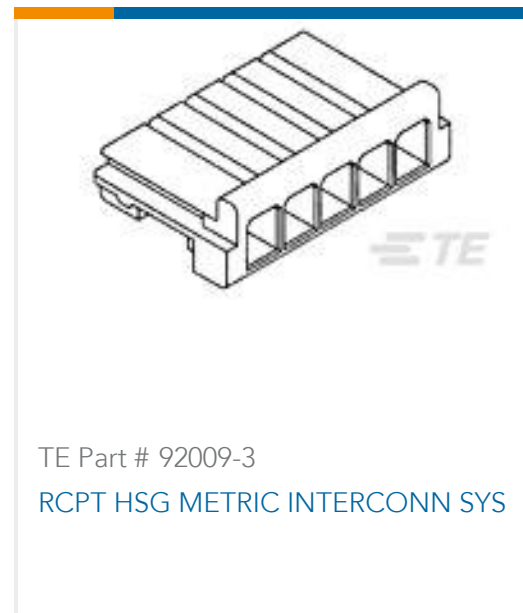
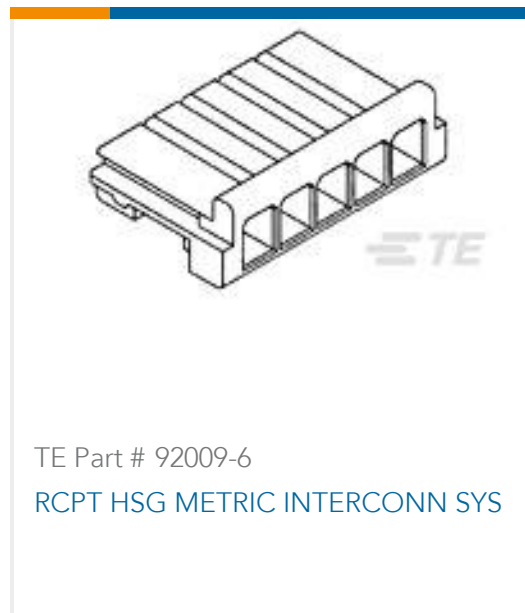
[For compliance documentation, visit the product page on TE.com>](#)

EU RoHS Directive 2011/65/EU	Compliant
EU ELV Directive 2000/53/EC	Compliant
China RoHS 2 Directive MIIT Order No 32, 2016	No Restricted Materials Above Threshold
EU REACH Regulation (EC) No. 1907/2006	Current ECHA Candidate List: JUNE 2024 (241) Candidate List Declared Against: JUNE 2024 (241) Does not contain REACH SVHC
Halogen Content	Low Halogen - Br, Cl, F, I < 900 ppm per homogenous material. Also BFR/CFR/PVC Free
Solder Process Capability	Not applicable for solder process capability

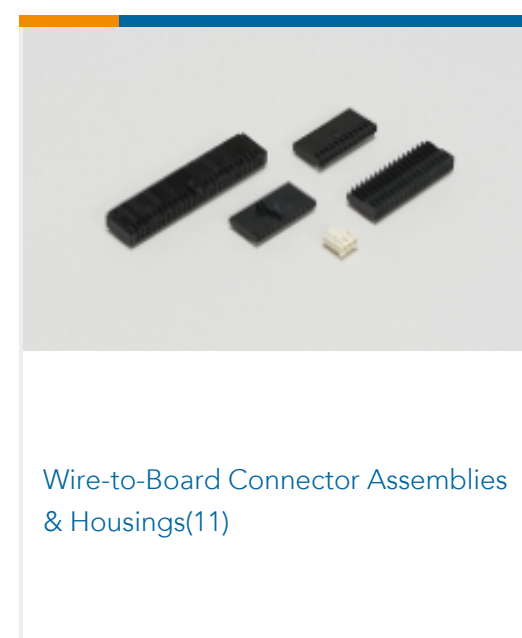
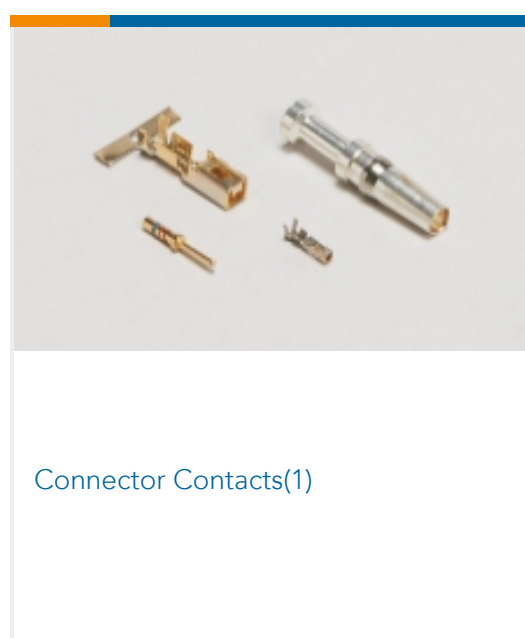
#### Product Compliance Disclaimer

This information is provided based on reasonable inquiry of our suppliers and represents our current actual knowledge based on the information they provided. This information is subject to change. The part numbers that TE has identified as EU RoHS compliant have a maximum concentration of 0.1% by weight in homogenous materials for lead, hexavalent chromium, mercury, PBB, PBDE, DBP, BBP, DEHP, DIBP, and 0.01% for cadmium, or qualify for an exemption to these limits as defined in the Annexes of Directive 2011/65/EU (RoHS2). Finished electrical and electronic equipment products will be CE marked as required by Directive 2011/65/EU. Components may not be CE marked. Additionally, the part numbers that TE has identified as EU ELV compliant have a maximum concentration of 0.1% by weight in homogenous materials for lead, hexavalent chromium, and mercury, and 0.01% for cadmium, or qualify for an exemption to these limits as defined in the Annexes of Directive 2000/53/EC (ELV). Regarding the REACH Regulation, the information TE provides on SVHC in articles for this part number is based on the latest European Chemicals Agency (ECHA) 'Guidance on requirements for substances in articles' posted at this URL: <https://echa.europa.eu/guidance-documents/guidance-on-reach>

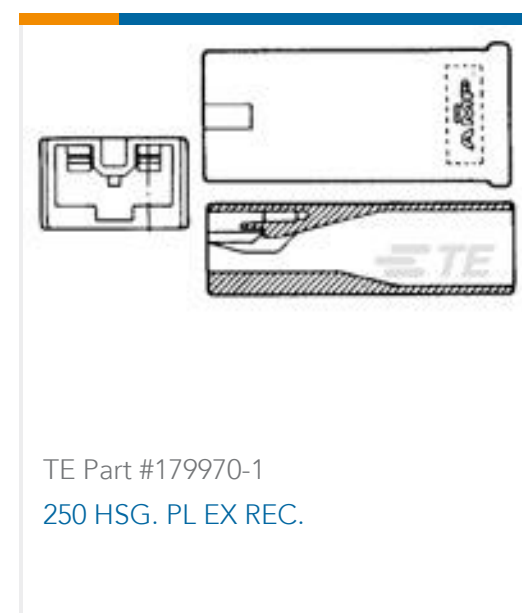
### Compatible Parts



## Also in the Series | MIS



## Customers Also Bought

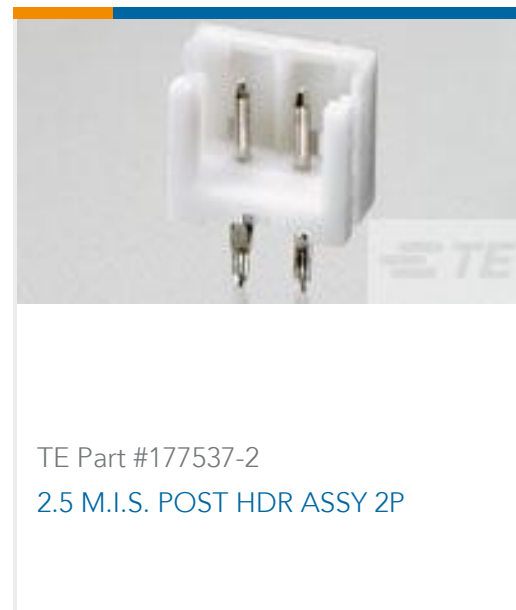




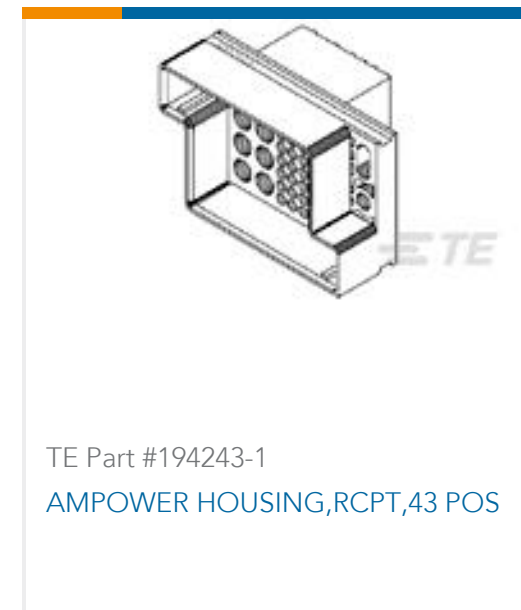
TE Part #179974-1  
250 PL EX REC. 18-14AWG PTBR



TE Part #41802  
250 FASTON FLAG REC 18-12 AWG  
TPBR



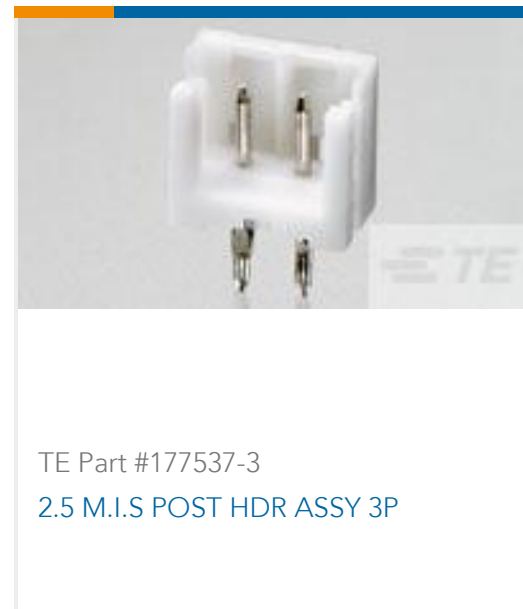
TE Part #177537-2  
2.5 M.I.S. POST HDR ASSY 2P



TE Part #194243-1  
AMPPOWER HOUSING, RCPT, 43 POS



TE Part #1-1625892-4  
3W SM M/OX 5% 150K



TE Part #177537-3  
2.5 M.I.S. POST HDR ASSY 3P

## Documents

### Product Drawings

[CMPSNP CONT. METINTERCONN SYS.](#)

English

### CAD Files

[3D PDF](#)

3D

Customer View Model

[ENG\\_CVM\\_CVM\\_92007-1\\_H\\_c-92007-1-h.2d\\_dxf.zip](#)

English

Customer View Model

[ENG\\_CVM\\_CVM\\_92007-1\\_H\\_c-92007-1-h.3d\\_igs.zip](#)

English

Customer View Model

[ENG\\_CVM\\_CVM\\_92007-1\\_H\\_c-92007-1-h.3d\\_stp.zip](#)

English

By downloading the CAD file I accept and agree to the [Terms and Conditions](#) of use.

### Product Specifications

[Application Specification](#)

English

[Application Specification](#)

English

[Crimp-Snap Metric Interconnect System](#)

English