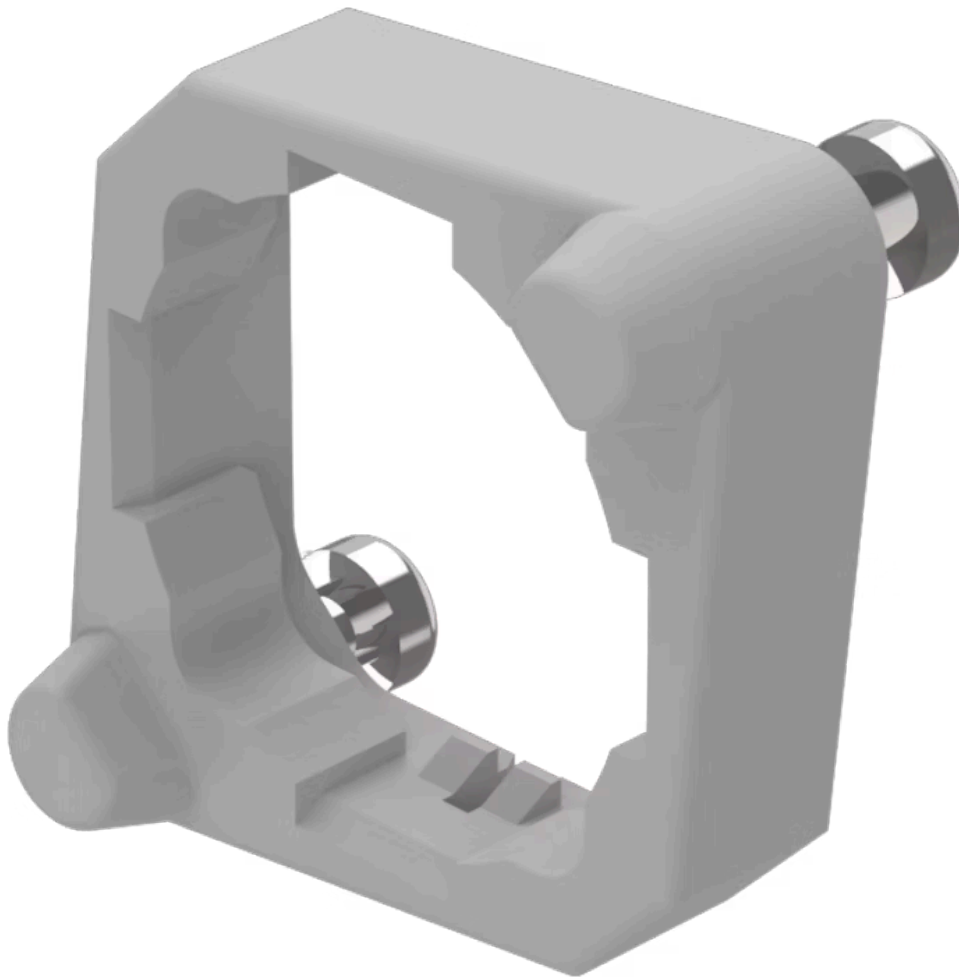


# Mounting flange

92-960.0



<https://eao.com/p/92-960.0>

Your product:

---



## 92-960.0 Mounting flange

### MECHANICAL CHARACTERISTIC

**Weight:** 0.001 kg

**Tightening torque:** 0.4 Nm

### OTHER

**Short Description:** Mounting flange

**Material:** Plastic

**Hints:** For discrete switching applications including switching element and mounting flange, soldering terminal (assembled PCB incl. series resistor and LED on request)

### Dimension drawings:

