

Indicator element

92-800.042



<https://eao.com/p/92-800.042>

Your product:



92-800.042 Indicator element

ELECTRICAL CHARACTERISTICS

Lumi. Intensity: mcd

MECHANICAL CHARACTERISTIC

Terminal: PCB terminal

Weight: 0.001 kg

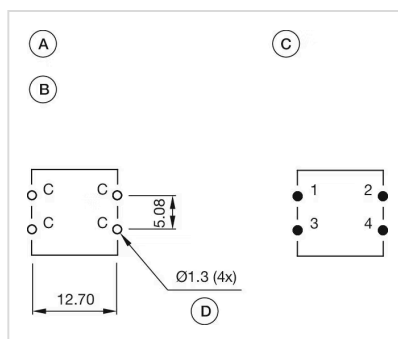
OTHER

Material: Plastic

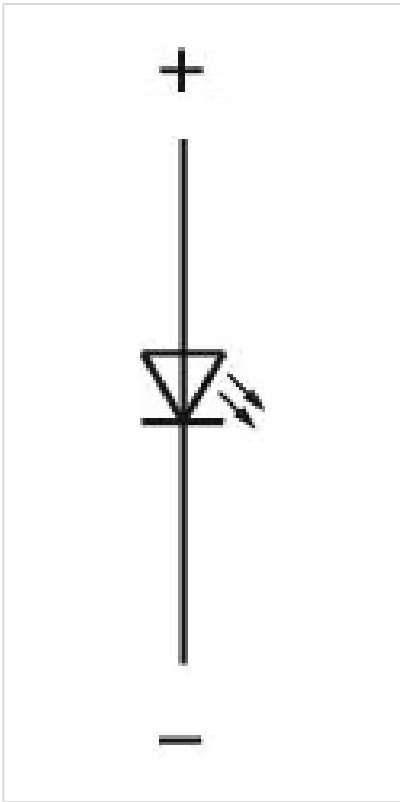
Short Description: Indicator element, PCB terminal

Hints: The customer has to decide what series resistor shall be used to the LED, LED and mounting flange to be ordered separately

Component layouts:



Wiring diagrams:



Dimension drawings:

