

Actuator

92-
443.700



<https://eao.com/p/92-443.700>

Your product:



92-443.700 Actuator

FRONT

Front bezel material:	Plastic
Front bezel colour:	Black
Front dimension:	18,8 mm x 18,8 mm
Front form:	square

MOUNTING

Design:	PCB
----------------	-----

OPERATING-/INDICATION PART

Lens illumination:	illuminative
Lens shape:	flush
Lens colour:	Colourless
Illumination colour:	White
Lens material:	Plastic
Lens optics:	transparent

ELECTRICAL CHARACTERISTICS

Electric strength:	500 VAC, 50 Hz, 1 minute according to IEC 60512-5-9c	
Electrostatic discharge (ESD):	15 kV	
Switching voltage and switching current:	Switching voltage	min. 50 m VAC/DC max. 42 VAC/DC
	Switching current	min. 10 µA AC/DC max. 100 mA AC/DC
	Power rating	max. 2 W
Electrical lifetime:		

500 000 cycles of operation at 42VDC, 50mA, according to IEC 6512-5-9c

MECHANICAL CHARACTERISTIC

Switching system:	Short-travel element
Switching action:	Momentary
Operating Travel:	ca. 0.4 mm switching element
Switching system:	Short-travel switching system with 2 independent contact points Guarantees reliable switching even of very light loads. Fitted with 1 normally open contact.
Operating force:	2.7 N \pm 1 N switching element, 5 N lens
Tightening torque:	Fixing nut max. 0.5 Nm, Fixing screw mounting flange 0.4 Nm
Mechanical lifetime:	\geq 1 Mio. cycles of operation
Weight:	0.003 kg

AMBIENT CONDITION

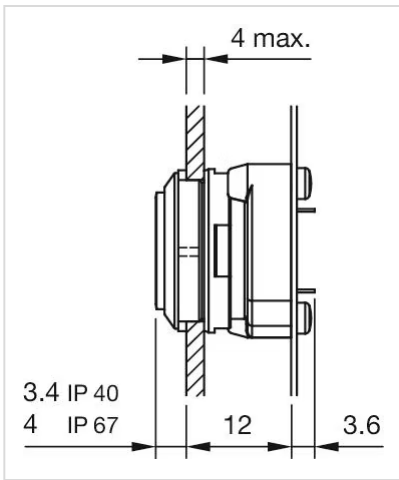
Storage temperature:	- 40 °C ... + 80 °C
Operating temperature:	- 25 °C ... + 70 °C
Vibration resistance:	Max. 100 m / s ² from 10 Hz ... 500 Hz, 10 cycles, 3-axis (sinusoidal EN IEC 60068-2-6)
Shock resistance:	Max. 500 m/s ² , pulse width, 3-axis (sinusoidal EN IEC 60068-2-27)
IP Protection:	IP67 front side

CERTIFICATE

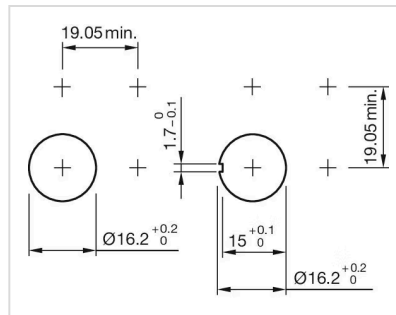
Conformities:	CE, UKCA, 2011 / 65 / EC (RoHS), 2014 / 35 / EU (LVD)
Approbations:	CQC

OTHER

Short Description:	Actuator, 18,8 mm x 18,8 mm, flush, illuminative, Colourless, Plastic, transparent, square, Black, Plastic, Momentary, White
Housing colour:	White
Dimension:	18.8 mm x 18.8 mm
Housing material:	Plastic
Dimension drawings:	



Mounting cut-outs:



Wiring diagrams:

