

PLEASE CHECK WWW.MOLEX.COM FOR LATEST PART INFORMATION

Part Number: [91780-0001](#)
Status: **Active**
Overview: [RAST 2.5 Connector System](#)
Description: 2.50mm Appli-Mate RAST 2.5 IDT Housing, Direct/Indirect, Female, 3 Circuits, Position Keys A & B, Polarizing Key Between 1 & 2

Documents:

3D Model	Application Specification AS-99033-0008 (PDF)
Drawing (PDF)	Packaging Specification PK-90871-001 (PDF)
Product Specification PS-99020-0040 (PDF)	RoHS Certificate of Compliance (PDF)

Agency Certification

CSA	LR19980
UL	E29179

General

Product Family	IDT and Solder Connectors
Series	91780
Crimp Quality Equipment	Yes
Overview	RAST 2.5 Connector System
Product Name	RAST 2.5
UPC	822350358927
Use With	RAST standard interface

Physical

Circuits (Loaded)	3
Circuits (maximum)	3
Color - Resin	Natural (White)
Durability (mating cycles max)	10
Flammability	94V-0
Gender	Female
Glow-Wire Compliant	No
Lock to Mating Part	Yes
Material - Metal	Phosphor Bronze
Material - Plating Mating	Tin
Material - Plating Termination	Tin
Material - Resin	Nylon
Net Weight	1.373/g
Number of Rows	1
Packaging Type	Tray
Panel Mount	No
Pitch - Mating Interface	2.50mm
Pitch - Termination Interface	2.50mm
Plating min - Mating	1.016µm
Plating min - Termination	1.016µm
Polarized to Mating Part	Yes
Stackable	No
Temperature Range - Operating	-20C to +120C
Termination Interface: Style	IDT or Pierce
Wire Size AWG	22, 24

Electrical

Current - Maximum per Contact	2A, 4A
Voltage - Maximum	32V AC

Material Info

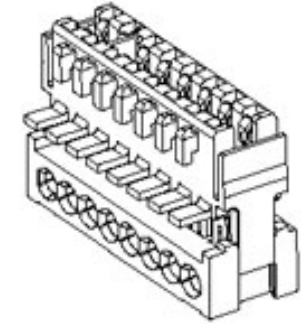


image - Reference only

Series

EU RoHS

ELV and RoHS Compliant

REACH SVHC

Contains SVHC: No Low-Halogen Status Low-Halogen

China RoHS



Need more information on product environmental compliance?

Email productcompliance@molex.com
 For a multiple part number RoHS Certificate of Compliance, [click here](#)

Please visit the [Contact Us](#) section for any non-product compliance questions.

Search Parts in this Series

91780Series

Mates With

90860 Appli-Mate Vertical Header. [90861](#)
 Appli-Mate Right Angle Header

Application Tooling | FAQ

Tooling specifications and manuals are found by selecting the products below. Crimp Height Specifications are then contained in the Application Tooling Specification document.

Global

Description	Product #
RAST 2.5 Semi-Automatic Terminator Machine	0623006200

Reference - Drawing Numbers

Application Specification
Packaging Specification
Product Specification
Sales Drawing

AS-99033-0008
PK-90871-001
PS-99020-0040
SD-91780-001, SD-92339-001

This document was generated on 06/26/2013

PLEASE CHECK WWW.MOLEX.COM FOR LATEST PART INFORMATION