



Power Double Lock

TE Internal #: 917353-1

Rectangular Power Connectors, Header, Receptacle, Wire-to-Board, 12 Position, 6.5 mm [.255 in] Centerline, Printed Circuit Board, Power Double Lock

[View on TE.com >](#)

Connectors > Power Connectors > Rectangular Power > Rectangular Power Connectors > STD Temp Power Double Lock Header



Rectangular Power Connector Type: **Header**

Connector & Housing Type: **Receptacle**

Connector System: **Wire-to-Board**

Number of Positions: **12**

Centerline (Pitch): **6.5 mm [.255 in]**

[All STD Temp Power Double Lock Header \(22\)](#)

Features

Product Type Features

| | |
|-----------------------------------|-----------------------|
| Header Type | Fully Shrouded |
| Rectangular Power Connector Type | Header |
| Connector & Housing Type | Receptacle |
| Connector System | Wire-to-Board |
| Sealable | No |
| Connector & Contact Terminates To | Printed Circuit Board |

Configuration Features

| | |
|---------------------------|----------|
| Number of Positions | 12 |
| PCB Mount Orientation | Vertical |
| Number of Power Positions | 12 |
| Number of Rows | 2 |

Electrical Characteristics

| | |
|--|--|
| | |
|--|--|



| | |
|-------------------|---------|
| Operating Voltage | 300 VAC |
|-------------------|---------|

Contact Features

| | |
|----------------|--------|
| Contact Layout | Matrix |
|----------------|--------|

| | |
|--------------------------------------|-----|
| Contact Mating Area Plating Material | Tin |
|--------------------------------------|-----|

| | |
|------------------------------|-----|
| Contact Current Rating (Max) | 7 A |
|------------------------------|-----|

| | |
|----------------------------------|---------|
| Contact Retention Within Housing | Without |
|----------------------------------|---------|

| | |
|--------------|-----|
| Contact Type | Tab |
|--------------|-----|

| | |
|---|-----|
| PCB Contact Termination Area Plating Material | Tin |
|---|-----|

| | |
|--|--|
| Contact Mating Area Plating Material Thickness | 31.49 μm [.8 μin] |
|--|--|

Termination Features

| | |
|---|-----------------------|
| Termination Method to Printed Circuit Board | Through Hole - Solder |
|---|-----------------------|

Mechanical Attachment

| | |
|-----------------------|--------------|
| Mating Alignment Type | Polarization |
|-----------------------|--------------|

| | |
|------------------|------|
| Mating Retention | With |
|------------------|------|

| | |
|------------------|------|
| Mating Alignment | With |
|------------------|------|

| | |
|---------------------|------|
| PCB Mount Alignment | With |
|---------------------|------|

| | |
|---------------------|------|
| PCB Mount Retention | With |
|---------------------|------|

| | |
|--------------------------|---------------|
| PCB Mount Retention Type | Mounting Post |
|--------------------------|---------------|

| | |
|-----------------------|-------|
| Mating Retention Type | Latch |
|-----------------------|-------|

| | |
|-------------------------|-------------|
| Connector Mounting Type | Board Mount |
|-------------------------|-------------|

Housing Features

| | |
|--------------------|-----------------|
| Centerline (Pitch) | 6.5 mm[.255 in] |
|--------------------|-----------------|

| | |
|---------------|---------|
| Housing Color | Natural |
|---------------|---------|

| | |
|------------------|--------------|
| Housing Material | Nylon 6/6 GF |
|------------------|--------------|

Dimensions

| | |
|--------------------|-----------------|
| Row-to-Row Spacing | 6.5 mm[.256 in] |
|--------------------|-----------------|

Usage Conditions

| | |
|-----------------------------|----------------------------|
| Operating Temperature Range | -30 – 105 °C[-22 – 221 °F] |
|-----------------------------|----------------------------|

Operation/Application

| | |
|---------------------|-------|
| Circuit Application | Power |
|---------------------|-------|

Industry Standards

| | |
|------------------------|----------|
| UL Flammability Rating | UL 94V-0 |
|------------------------|----------|



Glow Wire Rating Standard Part - Not Glow Wire

Packaging Features

| | |
|--------------------|-----|
| Packaging Quantity | 77 |
| Packaging Method | Box |

Product Compliance

[For compliance documentation, visit the product page on TE.com>](#)

| | |
|---|---|
| EU RoHS Directive 2011/65/EU | Compliant |
| EU ELV Directive 2000/53/EC | Compliant |
| China RoHS 2 Directive MIIT Order No 32, 2016 | No Restricted Materials Above Threshold |
| EU REACH Regulation (EC) No. 1907/2006 | Current ECHA Candidate List: JUNE 2023 (235) Candidate List Declared Against: JUNE 2023 (235) Does not contain REACH SVHC |
| Halogen Content | Not Low Halogen - contains Br or Cl > 900 ppm. |
| Solder Process Capability | Wave solder capable to 265°C |

Product Compliance Disclaimer

This information is provided based on reasonable inquiry of our suppliers and represents our current actual knowledge based on the information they provided. This information is subject to change. The part numbers that TE has identified as EU RoHS compliant have a maximum concentration of 0.1% by weight in homogenous materials for lead, hexavalent chromium, mercury, PBB, PBDE, DBP, BBP, DEHP, DIBP, and 0.01% for cadmium, or qualify for an exemption to these limits as defined in the Annexes of Directive 2011/65/EU (RoHS2). Finished electrical and electronic equipment products will be CE marked as required by Directive 2011/65/EU. Components may not be CE marked. Additionally, the part numbers that TE has identified as EU ELV compliant have a maximum concentration of 0.1% by weight in homogenous materials for lead, hexavalent chromium, and mercury, and 0.01% for cadmium, or qualify for an exemption to these limits as defined in the Annexes of Directive 2000/53/EC (ELV). Regarding the REACH Regulation, the information TE provides on SVHC in articles for this part number is based on the latest European Chemicals Agency (ECHA) 'Guidance on requirements for substances in articles' posted at this URL: <https://echa.europa.eu/guidance-documents/guidance-on-reach>

Compatible Parts



TE Part # 917354-1
AMP POWER D/LOCK PLUG HDR 12P



TE Part # 6-917354-1
AMP POWER D/LOCK PLUG HSG 12P NAT(GWT)



TE Part # 2-917354-1
POWER DBL LOCK PLUG 6.5 12P

Also in the Series | Power Double Lock



Connector Contacts(24)



Connector Hardware(14)

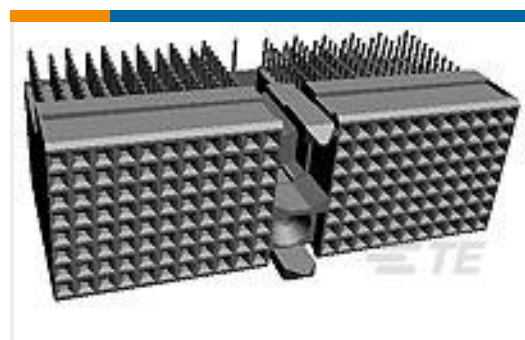


Insertion & Extraction Tools(2)



Rectangular Power Connectors(284)

Customers Also Bought



TE Part #5646486-1
8-ROW,TWST,TUL TYPE/D W/SHEILD



TE Part #174049-2
Signal Header



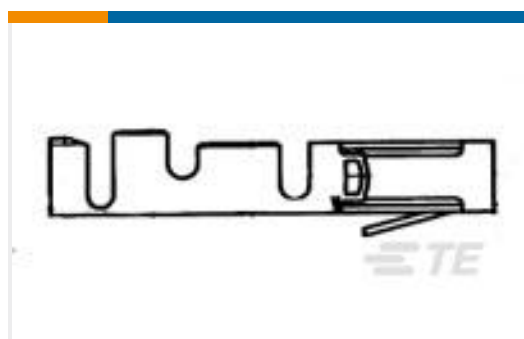
TE Part #1-353908-3
CT REC HSG 13P CRIMP TYPE WHIT



TE Part #179844-1
AMP POWER D/LOCK T/HDR ASSY 2P



TE Part #1-1123723-8
3.96 EP HDR ASSY 8P(NATURAL)



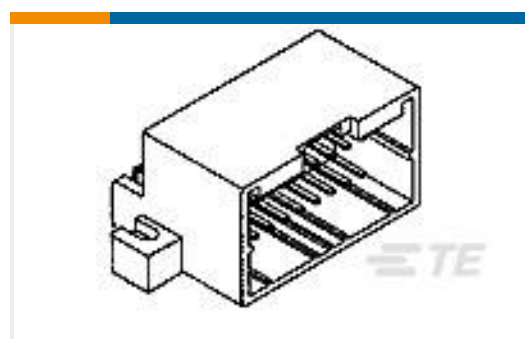
TE Part #280530-2
AMP MODU MOD 2 CONT



TE Part #2822391-1
070 ECONOSEAL MARK-2+ PLUG 4P



TE Part #42232-3
250 FASTON FLAG REC 18-12 AWG TPBR



TE Part #174051-2
040 MULTILOCK I/O CONN 12PASSY

Documents

Product Drawings

AMP POWER D/LOCK T/HDR ASY 12P

English

CAD Files

3D PDF

3D



Customer View Model

[ENG_CVM_CVM_917353-1_E.2d_dxf.zip](#)

English

Customer View Model

[ENG_CVM_CVM_917353-1_E.3d_igs.zip](#)

English

Customer View Model

[ENG_CVM_CVM_917353-1_E.3d_stp.zip](#)

English

By downloading the CAD file I accept and agree to the [Terms and Conditions](#) of use.

Datasheets & Catalog Pages

[SOFT_SHELL_PIN_AND_SOCKET_CONNECTORS_CATALOG](#)

English

Product Specifications

[Application Specification](#)

English

Instruction Sheets

[Instruction Sheet \(non U.S.\)](#)

English

[AMP POWER DOUBLELOCK CONNECTOR SERIES](#)

English

Agency Approvals

[CSA Certificate](#)

English