

PLEASE CHECK WWW.MOLEX.COM FOR LATEST PART INFORMATION

Part Number: [0917170016](#)
Status: **Active**
Description: 2CKT 2.5 APPLI-M OP/EW WO/POL BLUE

Documents:

Drawing (PDF)	Packaging Specification PK-90871-001-001 (PDF)
Product Specification PS-99020-0040-001 (PDF)	RoHS Certificate of Compliance (PDF)
Application Specification 990330008-000 (PDF)	

Agency Certification

CSA	LR19980
UL	E29179

General

Product Family	IDT and Solder Connectors
Series	91717
Crimp Quality Equipment	Yes
UPC	884982381742

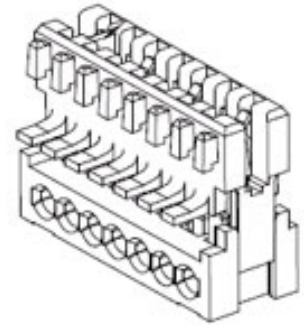
Physical

Flammability	94V-0
Net Weight	0.654/g

Material Info

Reference - Drawing Numbers

Application Specification	990330008-000
Packaging Specification	PK-90871-001-001
Product Specification	PS-99020-0040-001
Sales Drawing	917170001-000



Series image - Reference only

EU ELV

Not Relevant

EU RoHS

Compliant

REACH SVHC

Not Contained Per
-ED/88/2018 (15
January 2019)

Halogen-Free

Status

Low-Halogen

For more information, please visit [Contact US](#)

China ROHS

ELV

RoHS Phthalates

China RoHS

Green Image

Not Relevant

Not Contained

Search Parts in this Series

[91717 Series](#)