

**PLEASE CHECK WWW.MOLEX.COM FOR LATEST PART INFORMATION**

**Part Number:** [91716-2001](#)  
**Status:** **Active**  
**Overview:** RAST 2.5 Connector System  
**Description:** 2.50mm Appli-Mate RAST 2.5 IDT Housing, Direct/Indirect, Female, 7 Circuits, Fully Coded

**Documents:**

<a href="#">3D Model</a>	<a href="#">Application Specification AS-99033-0008 (PDF)</a>
<a href="#">Drawing (PDF)</a>	<a href="#">Packaging Specification PK-90871-001 (PDF)</a>
<a href="#">Product Specification PS-99020-0040 (PDF)</a>	<a href="#">RoHS Certificate of Compliance (PDF)</a>

**Agency Certification**

CSA	LR19980
UL	E29179

**General**

Product Family	IDT and Solder Connectors
Series	<a href="#">91716</a>
Crimp Quality Equipment	Yes
Overview	<a href="#">RAST 2.5 Connector System</a>
Product Name	RAST 2.5
UPC	822348721160
Use With	RAST standard Interface

**Physical**

Circuits (Loaded)	7
Circuits (maximum)	7
Color - Resin	Natural (White)
Durability (mating cycles max)	10
Flammability	94V-0
Gender	Female
Glow-Wire Compliant	No
Lock to Mating Part	None
Material - Metal	Phosphor Bronze
Material - Plating Mating	Tin
Material - Plating Termination	Tin
Material - Resin	Nylon
Net Weight	1.781/g
Number of Rows	1
Packaging Type	Tray
Panel Mount	No
Pitch - Mating Interface	2.50mm
Pitch - Termination Interface	2.50mm
Plating min - Mating	1.016µm
Plating min - Termination	1.016µm
Polarized to Mating Part	Yes
Stackable	No
Temperature Range - Operating	-20C to +120C
Termination Interface: Style	IDT or Pierce
Wire Size AWG	22, 24

**Electrical**

Current - Maximum per Contact	2A
Voltage - Maximum	32V AC

**Material Info**

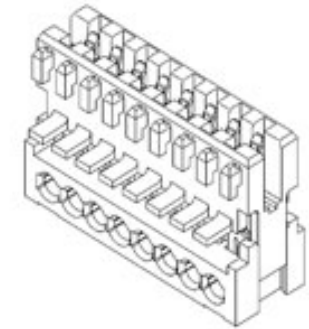


image - Reference only

Series

**EU RoHS**

**ELV and RoHS Compliant**

**REACH SVHC**

**Contains SVHC: No Low-Halogen Status Low-Halogen**

**China RoHS**



**Need more information on product environmental compliance?**

Email [productcompliance@molex.com](mailto:productcompliance@molex.com)  
 For a multiple part number RoHS Certificate of Compliance, [click here](#)

Please visit the [Contact Us](#) section for any non-product compliance questions.

**Search Parts in this Series**

[91716Series](#)

**Mates With**

[Appli-Mate RAST 2.5 Header 93070](#)

**Application Tooling | FAQ**

*Tooling specifications and manuals are found by selecting the products below. Crimp Height Specifications are then contained in the Application Tooling Specification document.*

**Global**

Description	Product #
RAST 2.5 Semi-Automatic Terminator Machine	<a href="#">0623006200</a>

## Reference - Drawing Numbers

Application Specification  
Packaging Specification  
Product Specification  
Sales Drawing

AS-99033-0008  
PK-90871-001  
PS-99020-0040  
SD-91716-001

This document was generated on 06/26/2013

**PLEASE CHECK [WWW.MOLEX.COM](http://WWW.MOLEX.COM) FOR LATEST PART INFORMATION**