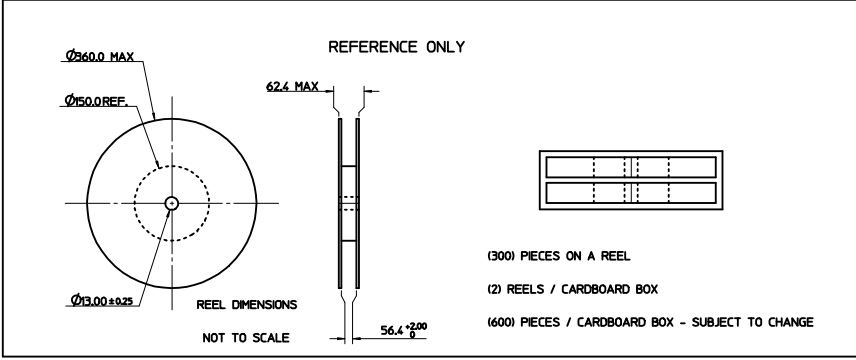
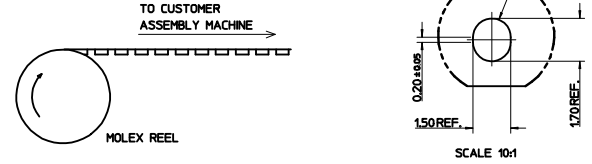


PART NO	DESCRIPTION
91228-0011 & 91228-3011	SIM CONNECTOR WITH PEGS
91228-3018	SIM CONNECTOR WITH LONG PEGS



(300) PIECES ON A REEL
 (2) REELS / CARDBOARD BOX
 (600) PIECES / CARDBOARD BOX - SUBJECT TO CHANGE

- NOTES:
 1) MATERIAL:
 CARRIER TAPE: VOLUME CONDUCTIVE POLYSTYRENE, 0.40±10% REF THICK, BLACK
 COVER TAPE : COLD SEAL POLYESTER, 0.06 REF THICK, TRANSPARENT
 2) PITCH TOLERANCE OVER ANY 10 PITCHES ±0.2
 3) PEEL FORCE OF THE COVER TAPE IS 0.1N TO 1.0N
 AT A MAXIMUM PEEL SPEED OF 300mm/min, ±10%
 4) PACKAGING SPEC. PK-91228-002.
 5) REFERENCE TO IEC 286-3 EXCEPT WHERE NOTED



ADDED NEW P/IN'S EC NO: E2009-0200 DRAWN: CARTON 2009/01/13 CHKD: 2009/01/14 APPR:	QUALITY SYMBOLS ▽ 0 ▽ 0	GENERAL TOLERANCES (UNLESS SPECIFIED)		SCALE 5:1	DESIGN UNITS METRIC	THIRD ANGLE PROJECTION	REVISE ON CAD ONLY
		4 PLACES ± --- ± --- 3 PLACES ± --- ± --- 2 PLACES ± 0.10 ± --- 1 PLACE ± 0.20 ± --- ANGULAR ± 2°	DIMENSION STYLE MM ONLY	DRAWN BY DMAHER DATE 2006/12/07	CHECKED BY FDUGGAN DATE 2006/12/07	TITLE BLISTER PACKAGING SIM CARD PCB HOUSING	MATERIAL NO. SEE CHART
D	REV	DRAFT WHERE APPLICABLE MUST REMAIN WITHIN DIMENSIONS		APPROVED BY EFOLAN DATE 2006/12/07	MOLEX INCORPORATED	SEE CHART	A1

THIS DRAWING CONTAINS INFORMATION THAT IS PROPRIETARY TO MOLEX INCORPORATED AND SHOULD NOT BE USED WITHOUT WRITTEN PERMISSION