

# Product data sheet

## Characteristics

# 9070T2000D31

Transformer, Type T, industrial control, 2000 VA, 220/440VAC pri / 110/220 VAC second, 1 phase, 50/60 Hz, 115 °C rise



### Main

Product or component type	Industrial Control Transformer
Power Rating	2000 VA
Primary Voltage	240 x 480 V 230 x 460 V 220 x 440 V
Secondary Voltage	115/230 V 120/240 V 110/220 V
Type	T

### Complementary

Number of Phases	1 phase
Power Rating	2000 VA UL 2000 VA CSA 2000 VA NOM 1500 VA
Primary to Secondary Voltage	220 x 440 V 110/220 V 230 x 460 V 115/230 V 240 x 480 V 120/240 V
Temperature rise	115 °C
Electrical connection	Screw clamp terminals
Maximum Height	6.17 in (156.72 mm)
Maximum Width	7.06 in (179.32 mm)
Maximum Depth	7.17 in (182.12 mm)
Material	Copper winding
Fingersafe Cover Compatibility	FSC2

### Environment

Product certifications	UL listed file E61239 CSA file LR37055 guide 184-N-90
Enclosure Type	Not rated (open device)
Insulation temperature	356 °F (180 °C)

### Ordering and shipping details

Category	16201 - 9070 T (NOT TF) 250-2000VA
Discount Schedule	CP8
GTIN	00785901803546
Nbr. of units in pkg.	1
Package weight(Lbs)	50 lb(US) (22.68 kg)
Returnability	Yes
Country of origin	MX

## Packing Units

Package 1 Height	11.80 in (29.972 cm)
Package 1 width	12.00 in (30.480 cm)
Package 1 Length	14.80 in (37.592 cm)

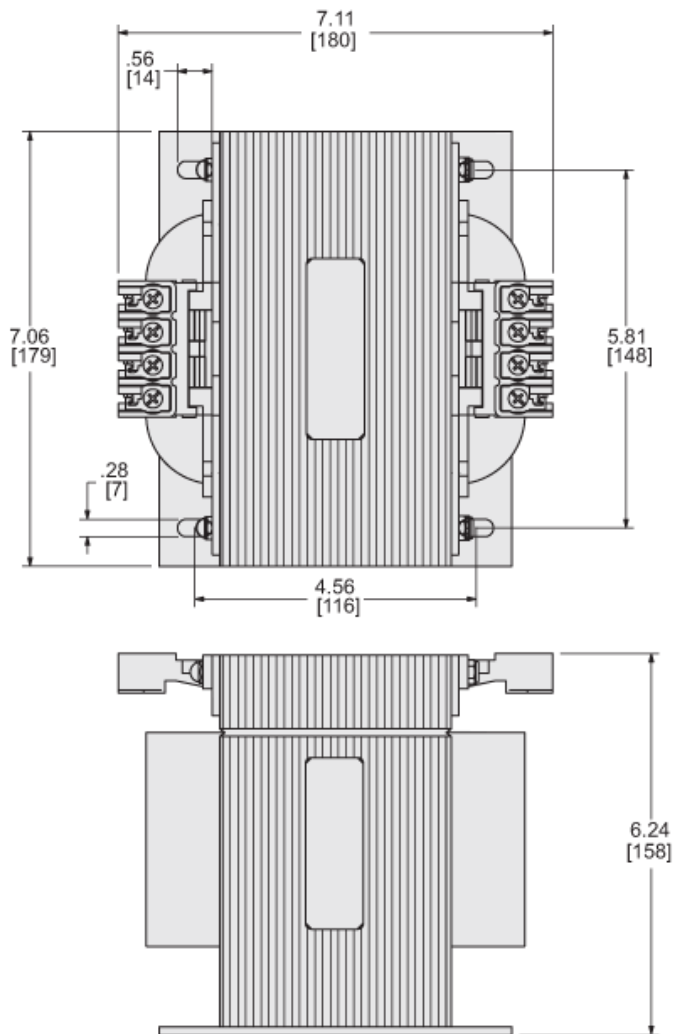
## Offer Sustainability

Sustainable offer status	Green Premium product
REACH Regulation	<a href="#">REACH Declaration</a>
REACH free of SVHC	Yes
EU RoHS Directive	Compliant <a href="#">EU RoHS Declaration</a>
Toxic heavy metal free	Yes
Mercury free	Yes
RoHS exemption information	<a href="#">Yes</a>
China RoHS Regulation	<a href="#">China RoHS Declaration</a>
Environmental Disclosure	<a href="#">Product Environmental Profile</a>
PVC free	Yes

## Contractual warranty

Warranty	10 Years
----------	----------

Approximate Dimensions



Connections and Wiring Diagrams

Voltage and Connection Options

Voltage Code	Voltages		Connections	
	Primary	Secondary	Primary	Secondary
D31	220 x 440 230 x 460 240 x 480	110/220 115/230 120/240	220 or 230 or 240: Connect to H1 and H4 Jumper H1 with H3 Jumper H2 with H4 440 or 460 or 480: Connect to H1 and H4 Jumper H2 with H3	110 or 115 or 120: Connect to X1 and X4 Jumper X1 with X3 Jumper X2 with X4 220 or 230 or 240: Connect to X1 and X4 Jumper X2 with X3
D55	110 x 220 115 x 230 120 x 240	110 x 220 115 x 230 120 x 240	110 or 115 or 120: Connect to H1 and H4 Jumper H1 with H3 Jumper H2 with H4 220 or 230 or 240: Connect to H1 and H4 Jumper H2 with H3	110 or 115 or 120: Connect to X1 and X4 Jumper X1 with X3 Jumper X2 with X4 220 or 230 or 240: Connect to X1 and X4 Jumper X2 with X3

