



Product availability: Stock - Normally stocked in distribution facility



Main

| | |
|---------------------------|----------------------------------|
| Range of product | Harmony 9001K Harmony 9001SK |
| Product or component type | Empty enclosure |
| Device short name | 9001SK |
| Number of cut-out | 3 cut-outs |
| Cable entry | 1 entry tapped for 3/4" knockout |

Complementary

| | |
|---------------------|------------------------------------------|
| Product destination | For Ø 30 mm control and signalling units |
| Material | Plastic |
| Net weight | 1.74 lb(US) (0.79 kg) |

Environment

| | |
|---------------------------------------|--------------------------------------------------|
| Protective treatment | TH |
| Ambient air temperature for storage | -40...158 °F (-40...70 °C) |
| Ambient air temperature for operation | -13...158 °F (-25...70 °C) |
| Overvoltage category | II IEC 61140 |
| NEMA degree of protection | NEMA 1 NEMA 12 NEMA 3 NEMA 4 NEMA 4X |

Ordering and shipping details

| | |
|---------------------|-----------------------|
| Category | 21429 - 9001 SK,SKY |
| Discount Schedule | CS1 |
| GTIN | 00785901154099 |
| Package weight(Lbs) | 0.92 kg (2.03 lb(US)) |
| Returnability | Yes |
| Country of origin | MX |

Offer Sustainability

| | |
|----------------------------|---------------------------------------------------------------------------------|
| Sustainable offer status | Green Premium product |
| RECh Regulation | RECh Declaration |
| RECh free of SVHC | Yes |
| EU RoHS Directive | Pro-active compliance (Product out of EU RoHS legal scope) EU RoHS Declaration |
| Toxic heavy metal free | Yes |
| Mercury free | Yes |
| RoHS exemption information | Yes |

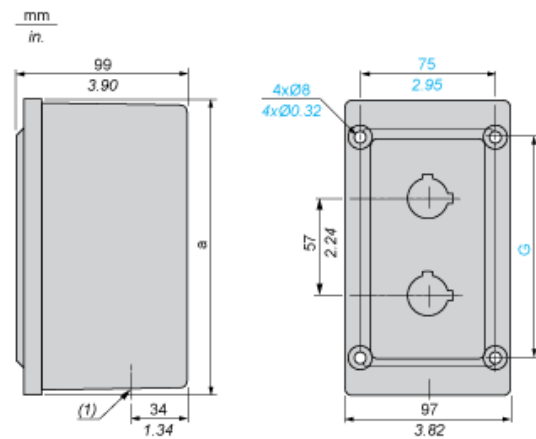
| | |
|--------------------------|-----------------------------------------------|
| China RoHS Regulation | China RoHS Declaration |
| Environmental Disclosure | Product Environmental Profile |
| Circularity Profile | No need of specific recycling operations |

Contractual warranty

| | |
|----------|-----------|
| Warranty | 18 months |
|----------|-----------|

Dimensions

Below drawing shows a 2-hole enclosure. Refer to the product characteristics to get the number of holes.



(1) Knockout conduit thread: 3/4".

| a | | G | |
|-----|------|-----|------|
| mm | in. | mm | in. |
| 226 | 8.90 | 181 | 7.12 |