

REV.	SPECIFICATION	ECN NO.	APPD.
R4		ECN180857	

Material and Plating:

Housing: PBT, UL94V-0, Beige

Contacts: Copper Alloy

Lock: Copper Alloy.

Gold plated on Contact Area and 80u" Min Tin Plated on Solder Tail over Nickel 50u" Min.

Electrical Characteristics:

Current Rating: 2 AMP.

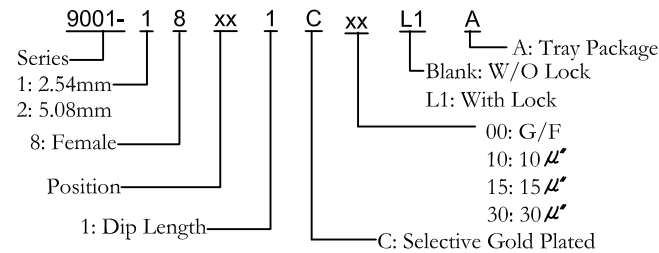
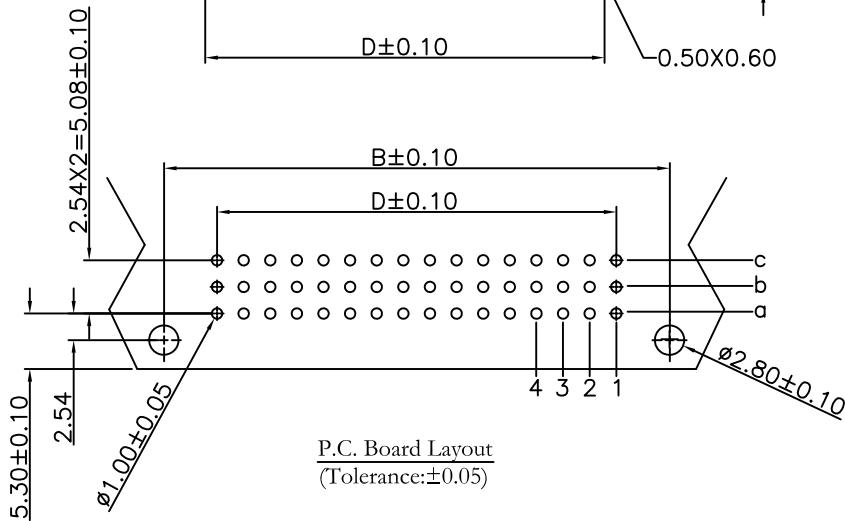
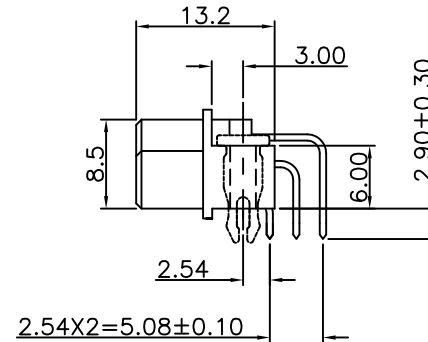
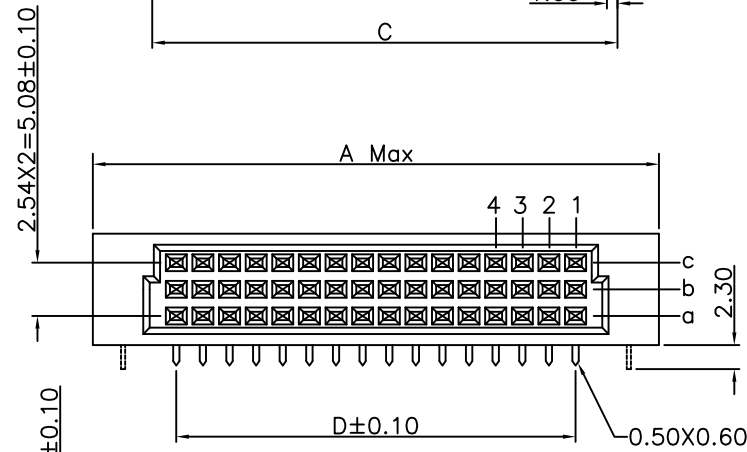
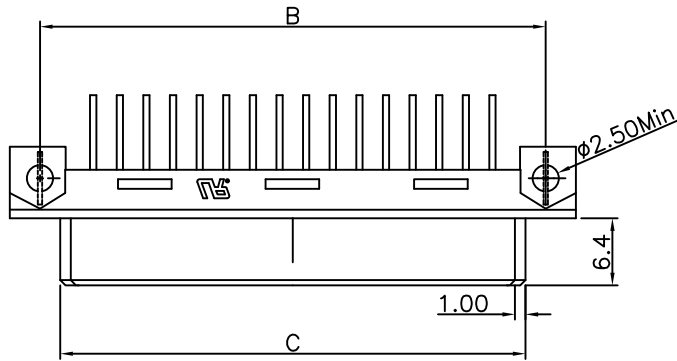
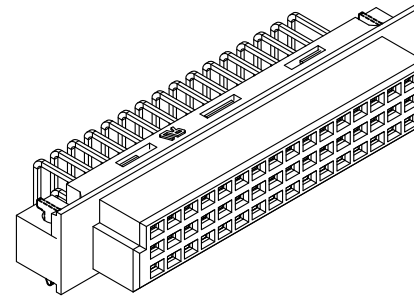
Dielectric Withstanding Voltage: AC 1000V For 1 minute.

Insulator Resistance: 1000MΩ min. at DC 500V.

Contact Resistance: 20mΩ max. at DC 100mA.

Operating Temperature: -55°C~+125°C .

***RoHS Compliant**



Dimension				
Position	A	B	C	D
48/32/24/16/8	54.0	48.26	44.40	38.10
30/20/15/10/5	38.8	33.02	29.20	22.86
Pitch	Position (n)	Rows with Contacts	Contact Arrange	P/N
2.54mm	48	a b c		9001-18481C~
	32	a - c		9001-18321C~
	30	a b c		9001-18301C~
	20	a - c		9001-18201C~
	16	a - -		9001-18161C~
5.08mm	10	a - -		9001-18101C~
	24	a b c		9001-28241C~
	16	a - c		9001-28161C~
	15	a b c		9001-28151C~
	10	a - c		9001-28101C~
	8	a - -		9001-28081C~
	5	a - -		9001-28051C~

Tolerances	Dwg. No.	9001D18001	Title:	
x = ±0.5	Projection		9001 Series	
.x = ±0.25	Unit	mm	DIN41612	
.xx = ±0.15	Scale	1:1	Half R Type Female	
	Drawn By	XFF 08/30'18		

Title:		9001 Series		OUPIN	
		DIN41612			
		Half R Type Female		OUPIN ELECTRONIC(KUNSHAN) CO., LTD.	
				P/N: 9001-1(2)8xx1CxxL1A	
SHEET		1/1		Ver. No.	
				R4	