

KIS.ME Starter Kit

NEW

fields of application

- > Measurement-control-regulation
- > Electrical engineering
- > Mechanical and system engineering
- > Signalling systems
- > Chemical industry
- > Handheld terminals
- > Industrial robots
- > Model construction
- > Home technology



description

The **KIS.ME** product family is a cloud-based WiFi system that makes it possible to use resources efficiently, e.g. in intralogistics and production. The KIS.ME product family can be used to implement simple digitalization in various production areas of a company. This includes data acquisition and data display via the devices, as well as displaying shop floor plans and KPIs in the KIS.MANAGER (cloud portal).

Areas of application include e.g. intralogistics, cross-plant alarming, retrofitting (digital upgrade of existing systems and machines) or data acquisition from manual processes including data evaluation and data display.

The following **functions/data** can be realized by the devices:

- › Acquisition of button inputs
- › Acquisition of digital signals at the inputs of the devices
- › Color control of lighting via the KIS.MANAGER
- › Digital control of outputs for controlling external devices via KIS.MANAGER

The devices can be operated in two different **modes**:

Configuration mode (5 V):

This mode is usually used for onboarding the devices and transmitting the WiFi access data (WiFi login credentials). Digital inputs and outputs are not available in the configuration mode. A power supply of 5 V / 700 mA per device must be provided.

Operating mode (24 V):

This mode is used while operating. Digital inputs and outputs are available in the operating mode. USB communication is not available in the operating mode.

Note: The digital switching outputs of the end devices switch between the logical switching level Off (High impedance) and the logical switching level ON (VCC - 1 V). A short-term inrush current (peak current) of 10 A must not be exceeded. The switching outputs are thermally protected.

For more information visit: kisme.rafi.de/en

technical data

› general

Disassembly possible	yes
Scope of delivery	Connection cable USB-M12 Quick-Start-Guide Powerbank 5.000 mAh

direct links

- › [RAFI eCatalog](#)

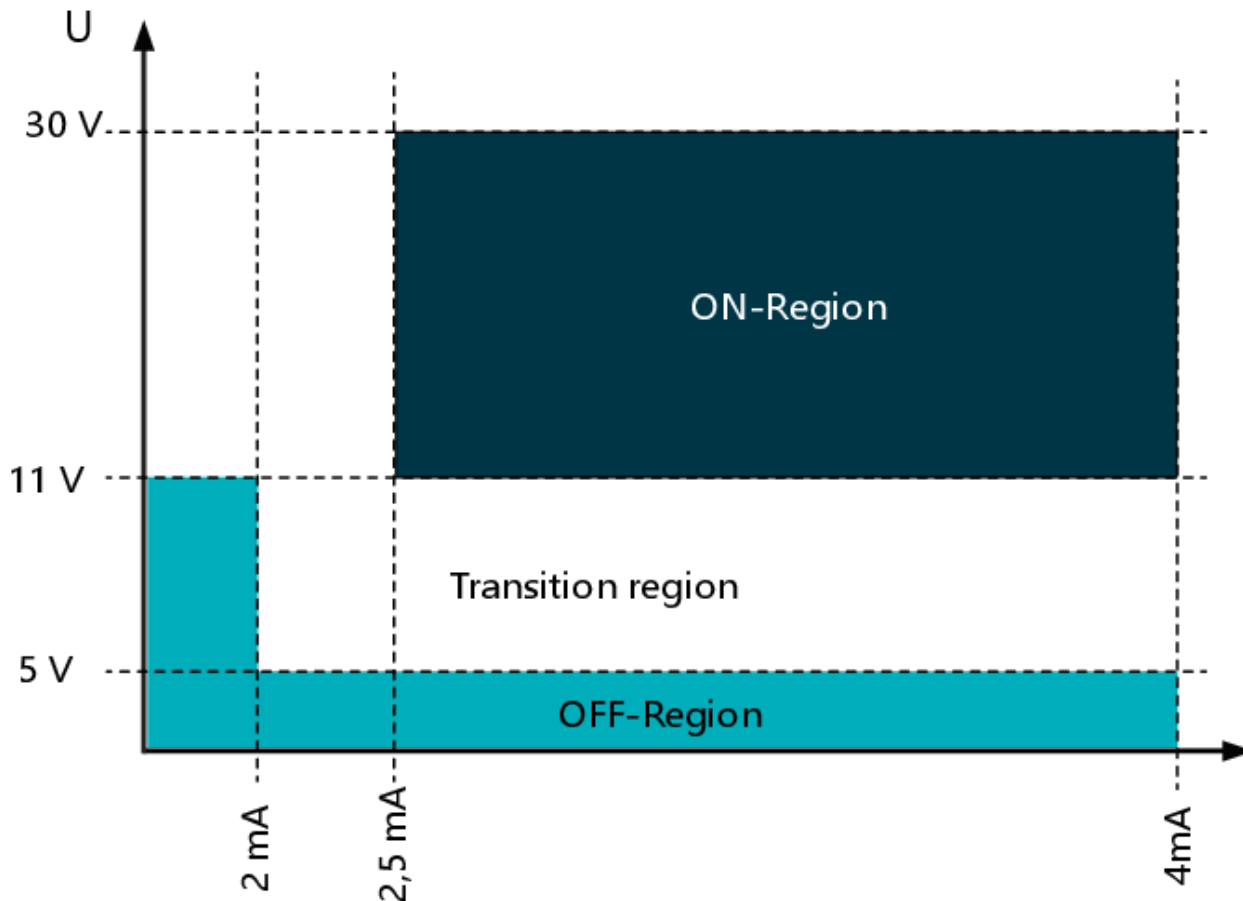
	KIS.BOX
	KIS.LIGHT
Actuator position 1	FLEXLAB illuminated pushbutton
Actuator position 2	FLEXLAB illuminated pushbutton
Bezel color	transparent
Luminous element color	RGB
Operating temperature, min.	-30 °C
Storage temperature, min.	-40 °C
Operating temperature, max.	50 °C
Storage temperature, max.	85 °C
illuminated	Yes
Luminous elements	LED
Packaging	Box
Packaging unit	1 pcs.
Mechanical life	1,000,000 cycles
Degree of protection, front side, according to DIN EN 60529	IP65
Degree of protection, rear side, according to DIN EN 60529	IP65
MOQ order	1 pcs.
EMC	DIN EN 61000-6-1 Interference immunity area DIN EN 61000-6-2 Interference immunity industry DIN EN 61000-6-3 Interference emission living area DIN EN 61000-6-4 Interference emission industry ETSI EN 301 489-1 Radio approval ETSI EN 301 489-17 Radio approval ETSI EN 300 328 Radio approval
EMCE	DIN EN 62311 Interference with humans
WLAN Standard	IEEE 802.11 b/g/n 2.4 GHz
WLAN encryption	WPA + WPA2 (CCMP)
Range, max.	100 meters open field
Operating altitude above sea level, max.	2,000 m
Pollution degree acc. to DIN EN 61010-1	Pollution degree 2
RoHS compliant	Yes
REACH compliant	Yes
> mechanical data	
Actuation function	momentary contact function
Contact material	Gold
Terminal on the rear	M12 8-pin A-coded
Cable length, max.	30 m
PIN 1	VCC Operating voltage
PIN 2	input 1
PIN 3	GND
PIN 4	Input 2
PIN 6	Output 2
PIN 5	Output 1

PIN 7	USB D+
PIN 8	USB D-
> electrical data	
Voltage type	DC
Rated operating voltage	5 ±10%; 24 ±20% V
Power consumption, max.	5 V without outputs: 700 mA 24 V without outputs: 150 mA 24 V with outputs: 550 mA
Protective diode	Yes
Thermal protection	ja
Overvoltage category	1
Inputs	ON / OFF states, characteristic according to IEC61131-2
Outputs	ON (HIGH): VCC -1 V OFF (LOW): high impedance Current, max: 200 mA Switch-on current, max: 10 A Thermal protection: yes

drawings

Schematic diagram

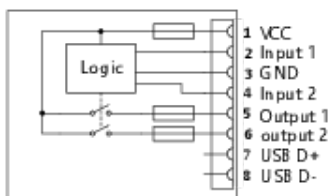
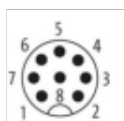
Input ON / OFF Definition



Connection drawing

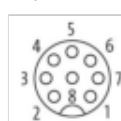
PLUG / DEVICE SIDE

M12, 8-pin, A-coded, Male

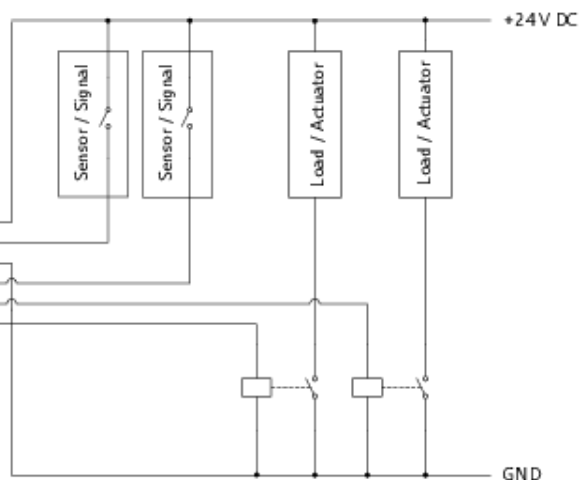


FEMALE / CABLE SIDE

M12, 8-pin, A-coded, Female



- 1 white
- 2 brown
- 3 green
- 4 yellow
- 5 grey
- 6 pink
- 7 blue
- 8 red



Color specifications depend on the cable used and may vary. If in doubt, check beforehand