



Product Compliance

[For compliance documentation, visit the product page on TE.com>](#)

EU RoHS Directive 2011/65/EU	Compliant
EU ELV Directive 2000/53/EC	Compliant
China RoHS 2 Directive MIIT Order No 32, 2016	No Restricted Materials Above Threshold
EU REACH Regulation (EC) No. 1907/2006	Current ECHA Candidate List: JUNE 2024 (241) Candidate List Declared Against: JAN 2024 (240) Does not contain REACH SVHC
Halogen Content	Low Halogen - Br, Cl, F, I < 900 ppm per homogenous material. Also BFR/CFR/PVC Free
Solder Process Capability	Not applicable for solder process capability

Product Compliance Disclaimer

This information is provided based on reasonable inquiry of our suppliers and represents our current actual knowledge based on the information they provided. This information is subject to change. The part numbers that TE has identified as EU RoHS compliant have a maximum concentration of 0.1% by weight in homogenous materials for lead, hexavalent chromium, mercury, PBB, PBDE, DBP, BBP, DEHP, DIBP, and 0.01% for cadmium, or qualify for an exemption to these limits as defined in the Annexes of Directive 2011/65/EU (RoHS2). Finished electrical and electronic equipment products will be CE marked as required by Directive 2011/65/EU. Components may not be CE marked. Additionally, the part numbers that TE has identified as EU ELV compliant have a maximum concentration of 0.1% by weight in homogenous materials for lead, hexavalent chromium, and mercury, and 0.01% for cadmium, or qualify for an exemption to these limits as defined in the Annexes of Directive 2000/53/EC (ELV). Regarding the REACH Regulation, the information TE provides on SVHC in articles for this part number is based on the latest European Chemicals Agency (ECHA) 'Guidance on requirements for substances in articles' posted at this URL: <https://echa.europa.eu/guidance-documents/guidance-on-reach>

Also in the Series | LEAVYSEAL



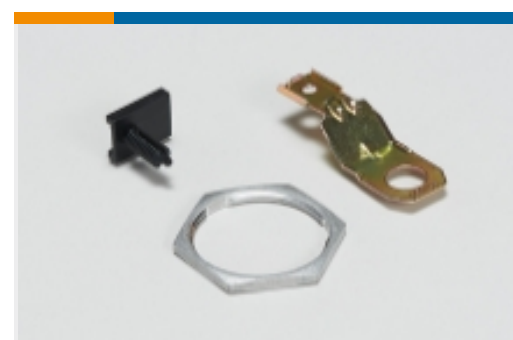
Automotive Connector Caps & Covers (18)



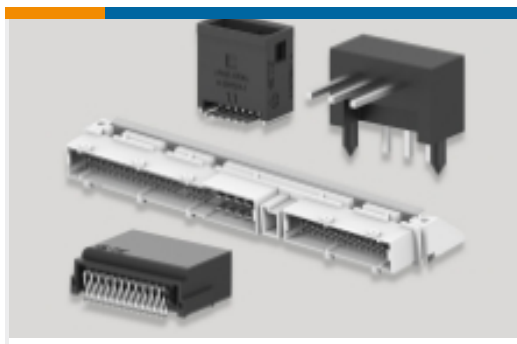
Automotive Housings(79)



Insertion & Extraction Tools(5)

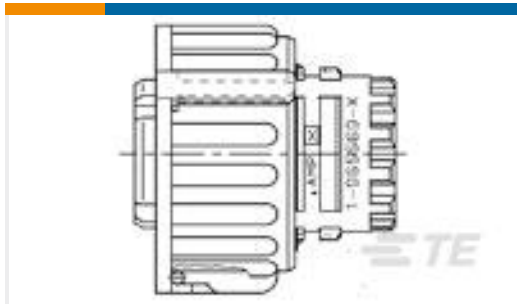


Other Automotive Connector Accessories(15)

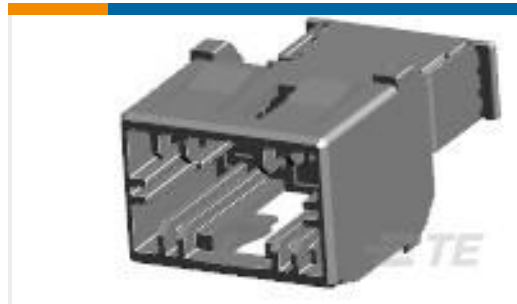


PCB Headers & Receptacles(16)

Customers Also Bought



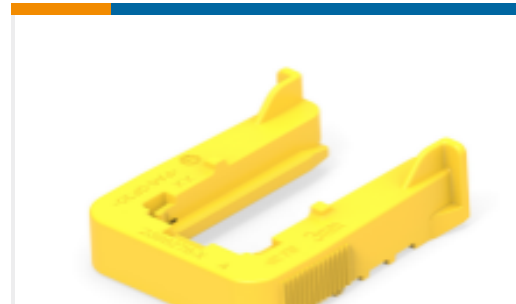
TE Part #1-1813099-3
2.5mm SOCKET HSG ASSEMBLY
(BLACK 2POS)



TE Part #1355290-1
9,5 TAB HOUSING 2POS,BLACK



TE Part #2-2109441-3
MCP 2.8 8P PLUG ASSY B-GRY/C



TE Part #2388278-5
SLIDE,TAB HSG ASSY,GROUP D



TE Part #1801616-1
FUSES HOLDER 10 MINIFUSES



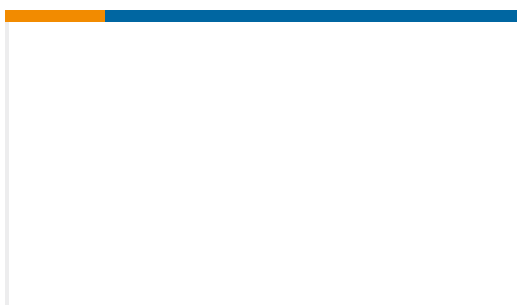
TE Part #9-1452931-9
76POS,MCON 1.2 CB,REC HSG,ASSY,
SLD



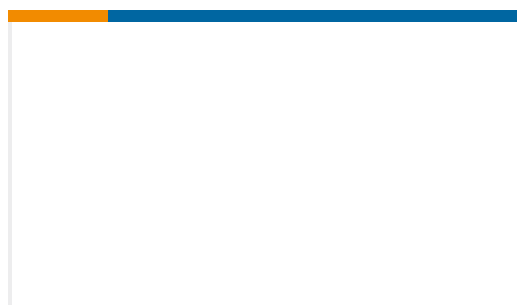
TE Part #2209545-1
94P,MOS CB,REC HSG,ASSY,SEALED



TE Part #1801620-1
2 MICRORELAYS HOLDER



TE Part #2311283-4
36POS,MCON 1.2,REC HSG ASSY,SLD



TE Part #9-2396702-1
MATE AX TO FAKRA CABLE
ASSEMBLY

Documents

Product Drawings

[76POS,MCON 1.2 CB,REC HSG,ASSY,SLD](#)

English

CAD Files

[Customer View Model](#)

[ENG_CVM_CVM_9-1452995-9_H.2d_dxf.zip](#)

English

[3D PDF](#)



3D

Customer View Model

[ENG_CVM_CVM_9-1452995-9_H.3d_igs.zip](#)

English

Customer View Model

[ENG_CVM_CVM_9-1452995-9_H.3d_stp.zip](#)

English

By downloading the CAD file I accept and agree to the [Terms and Conditions](#) of use.