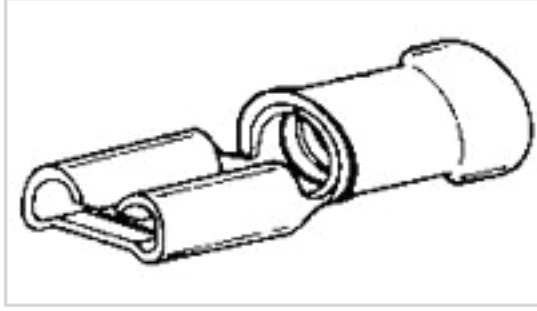




# 9-1377174-0 Product Details

[Share](#) | [Print](#) | [Email](#)


## Quick Disconnect Receptacles - Insulated

SMP 0-0140948-1  
**9-1377174-0**   
 TE Internal Number: 9-1377174-0

Active

### Product Highlights [View All](#)

- Proprietary Name = PIDG FASTON
- Receptacle Style = Straight
- Wire Range = 0.30-1.00<sup>2</sup> [22-17] mm [AWG]
- Mating Area Interface Dimensions = 5.00 x 0.80 mm
- Insulation Diameter = 3.30 [.130] Max. mm [in]

- [Pricing & Availability](#)
- [Request Sample](#)
- [Add to My Part List](#)
- [Buy Product through Distributor](#)

Feedback

[Documents](#) | [Features](#) | [Compliance](#)

**Please Note:**  
 Use the Product Drawing for all design activity

Product Type Features	
Receptacle Style <sup>?</sup>	Straight
Insertion Force <sup>?</sup>	Normal
Finish <sup>?</sup>	Tin
Dimple Type <sup>?</sup>	No dimple without wire stop
Insulation Support	Insulation Support
Color	Blue

Electrical Characteristics	
Voltage (VAC)	300

Dimensions	
Mating Area Interface Dimensions (mm [in]) <sup>?</sup>	5.00 x 0.80 [.197 x .031]
Insulation Diameter (mm [in]) <sup>?</sup>	3.30 [.130] Max.

Body Features	
Fully Insulated <sup>?</sup>	No
Wire Range (mm [AWG]) <sup>?</sup>	0.30-1.00 <sup>2</sup> [22-17]
Material <sup>?</sup>	Phosphor Bronze
Insulation Sleeve Material	Nylon

Industry Standards	
RoHS/ELV Compliance <sup>?</sup>	RoHS compliant, ELV compliant
Lead Free Solder Processes <sup>?</sup>	Not relevant for lead free process
RoHS/ELV Compliance History	Always was RoHS compliant

Packaging Features	
Packaging Method <sup>?</sup>	Loose Piece
Packaging Quantity	100/Plastic Box; 20 Boxes/Carton

Other	
Proprietary Name <sup>?</sup>	PIDG FASTON
Brand	AMP
Comment	Bulk number 140948-1.

**Related Products**

Not quite the product you're looking for?  
[Find Similar Products](#)

[View Part in Product Feature Selector](#)

[Check for Tooling](#)

### Corporate Information

- [About TE](#)
- [Investors](#)
- [News Room](#)
- [Supplier Portal](#)
- [Careers](#)
- [Terms & Conditions](#)
- [Privacy Policy](#)
- [Global Accessibility Statement](#)

### Quick Links

- [Distributor Inventory](#)
- [Product Cross Reference](#)
- [Documents & Drawings](#)
- [Product Compliance Support Center](#)
- [Site Map](#)

### Customer Support

- [Email or Chat With Us](#)
- [Find a Phone Number](#)
- [Knowledge Base](#)
- [Manage Your Account](#)

### Keep Me Informed

