

THIS DRAWING IS UNPUBLISHED. RELEASED FOR PUBLICATION  
 © COPYRIGHT BY TYCO ELECTRONICS CORPORATION. ALL RIGHTS RESERVED.

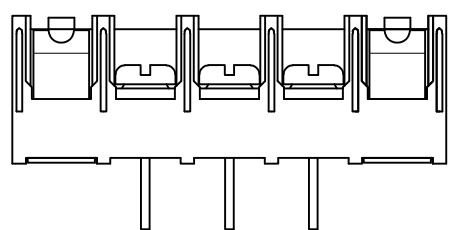
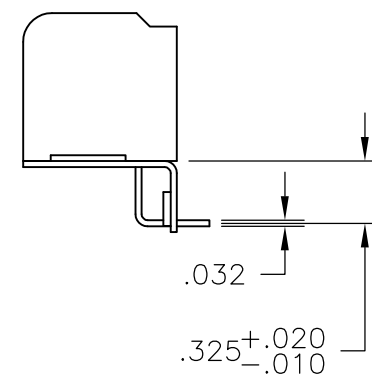
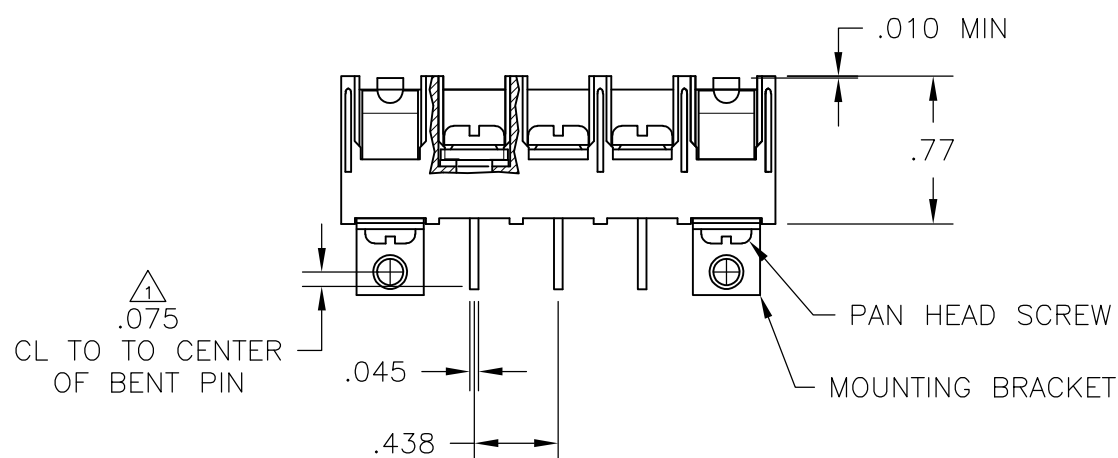
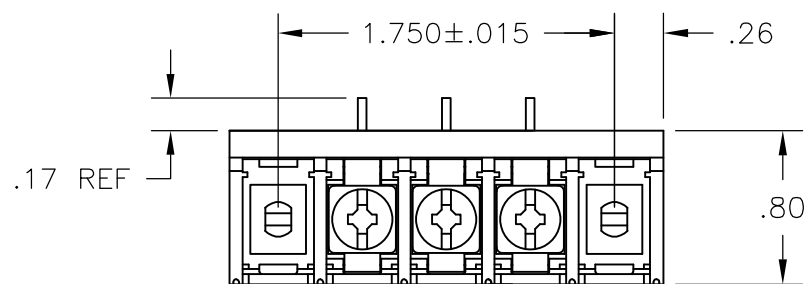
LOC	DIST	REVISIONS			
P	LTR	DESCRIPTION	DATE	DWN	APVD
	G	REVISED PER ECO-10-004812	04MAY10	HMR	CR

MATERIAL:  
 HOUSING: THERMOPLASTIC, UL94V-0, BLACK.  
 TERMINAL: BRIGHT TIN PLATED COPPER ALLOY.  
 SCREWS: 8-32, ZINC PLATED STEEL.

ELECTRICAL:  
 CURRENT RATING: 30A  
 VOLTAGE RATING: 600V  
 WIRE RANGE: 10-18 AWG (UL)  
 10-22 AWG (CSA)

MECHANICAL:  
 RECOMMENDED TORQUE: 20 IN-LB.  
 OPERATING TEMP: -40°C TO +120°C  
 RECOMMENDED PCB HOLE:  $\phi$ .073

- ① ONLY 1-1546160-0.
- ② OBSOLETE PARTS: OBSOLETE CIS STREAMLINING PER D.RENAUD/D.SINISI



2-1546160-0 ②

SEE FIGURE ②

①	②	③	④	⑤	⑥
				8WWV-03-654	2-1546160-0
				8WWV-03-420	1-1546160-0
				PAN HEAD SCREW	TE PART NO.
				MOUNTING BRACKET	
				NO OF POS	
				CATALOG NUMBER	

THIS DRAWING IS A CONTROLLED DOCUMENT.		DWN	S SCHLEGEL	4/2/03	Tyco Electronics Corporation Harrisburg, PA 17105-3608	
DIMENSIONS: INCHES		CHK	H WAKEEM	4/2/03	<b>OBSOLETE</b> NOT the LATEST REVISION	
TOLERANCES UNLESS OTHERWISE SPECIFIED:		APVD	H WAKEEM	4/2/03		
0 PLC ± - 1 PLC ± - 2 PLC ± .01 3 PLC ± .005 4 PLC ± - ANGLES ± 1°		PRODUCT SPEC		8WWV-03-420 ASSEMBLY		
MATERIAL		APPLICATION SPEC		RESTRICTED TO		
FINISH		WEIGHT		SCALE		
		CUSTOMER DRAWING		1:1		
		A300779 C-1-1546160-0		SHEET 1 OF 1		
				REV G		