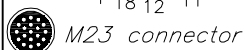
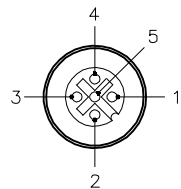
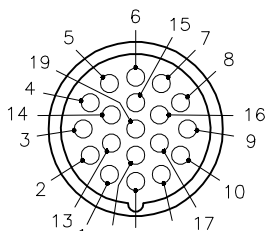


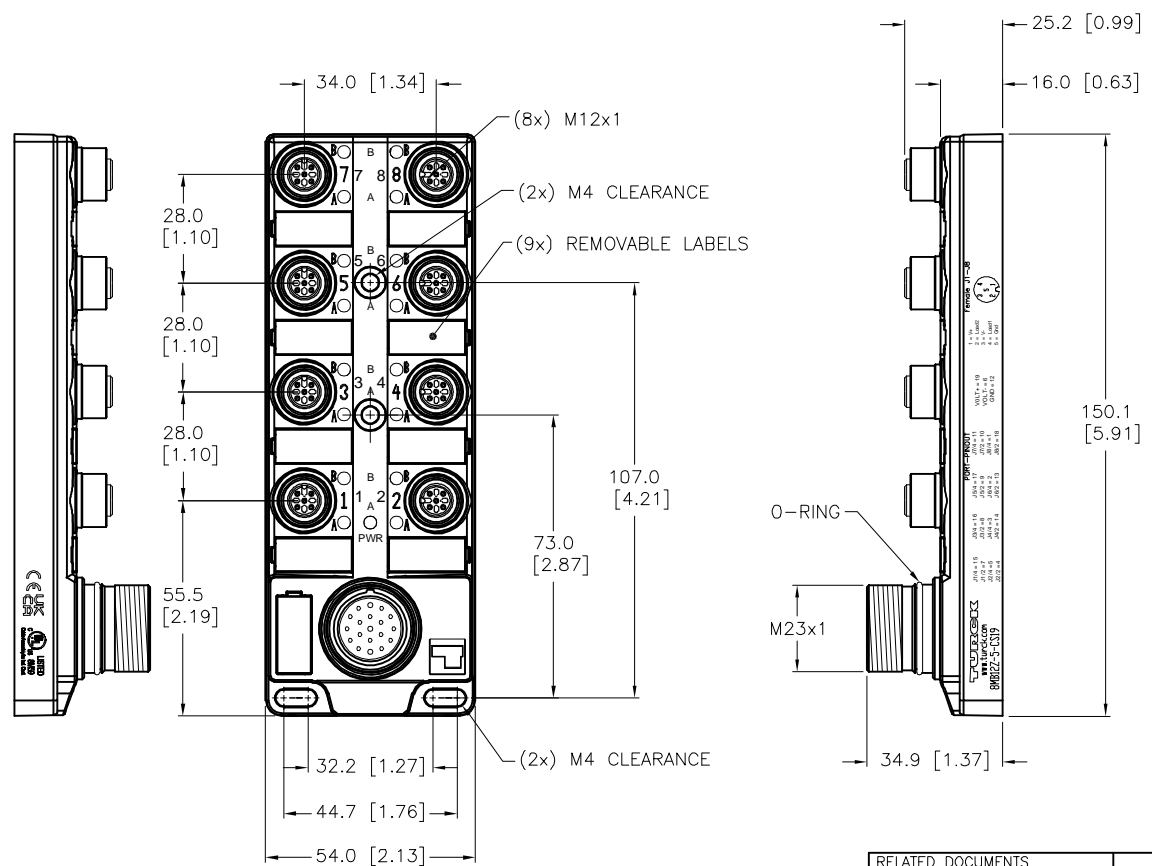
MALE END VIEW

FEMALE END VIEW

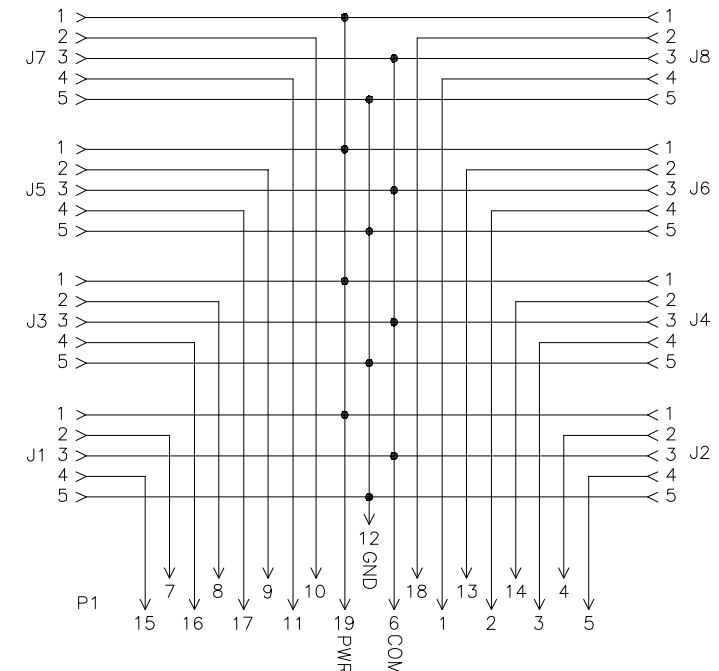


SPECIFICATIONS

HOUSING MATERIAL/COLOR	NYLON/BLACK
RECEPTACLE MATERIAL/PLATING	BRASS/NICKEL
CONTACT CARRIER MATERIAL	NYLON
CONTACTS	BRASS/GOLD
O-RING MATERIAL	VITON (J1-J8), NBR (P1)
OPERATING VOLTAGE	60 VDC
OPERATING CURRENT	2.0 AMPS/SIGNAL, 9.0 AMPS TOTAL
PROTECTION CLASS	IP67,IP69K: ONLY WHEN ALL RECEPTACLES ARE COVERED WITH PLUGS OR CONNECTED
OPERATING TEMPERATURE	-40°C to +85°C (-40°F to +185°F)



WIRING DIAGRAM



SOURCE DRAWING - FOR REFERENCE ONLY



CLOSURE CAPS (2 INCLUDED)

RELATED DOCUMENTS 1. 2. 3. 4.	3RD ANGLE PROJECTION 	THIS DRAWING IS CONFIDENTIAL AND THE PROPERTY OF TURCK INC. USE OF THIS DOCUMENT WITHOUT WRITTEN PERMISSION IS PROHIBITED.		3000 CAMPUS DRIVE MINNEAPOLIS, MN 55441 1-800-544-7769 (763) 553-7300 (763) 553-0708 fax www.turck.us	
		MATERIAL SEE SPECIFICATIONS	DRFT RDS APVD SWC	DATE 11/23/04 SCALE 1=2	DESCRIPTION 8MB12Z-5-CS19
FINISH SEE SPECIFICATIONS	ALL DIMENSIONS DISPLAYED ON THIS DRAWING ARE FOR REFERENCE ONLY  CONTACT TURCK FOR MORE INFORMATION	UNIT OF MEASUREMENT <b>MILLIMETER [ INCH ]</b>		IDENTIFICATION NO. E8028572	REV J
DO NOT SCALE THIS DRAWING		FILE: E8028572		SHEET 1 OF 1	

J	UPDATE LOGO	NF	09/09/22	500000006820
REV	DESCRIPTION	BY	DATE	ECO NO.