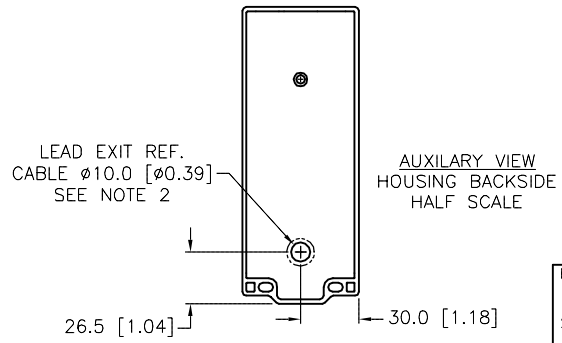
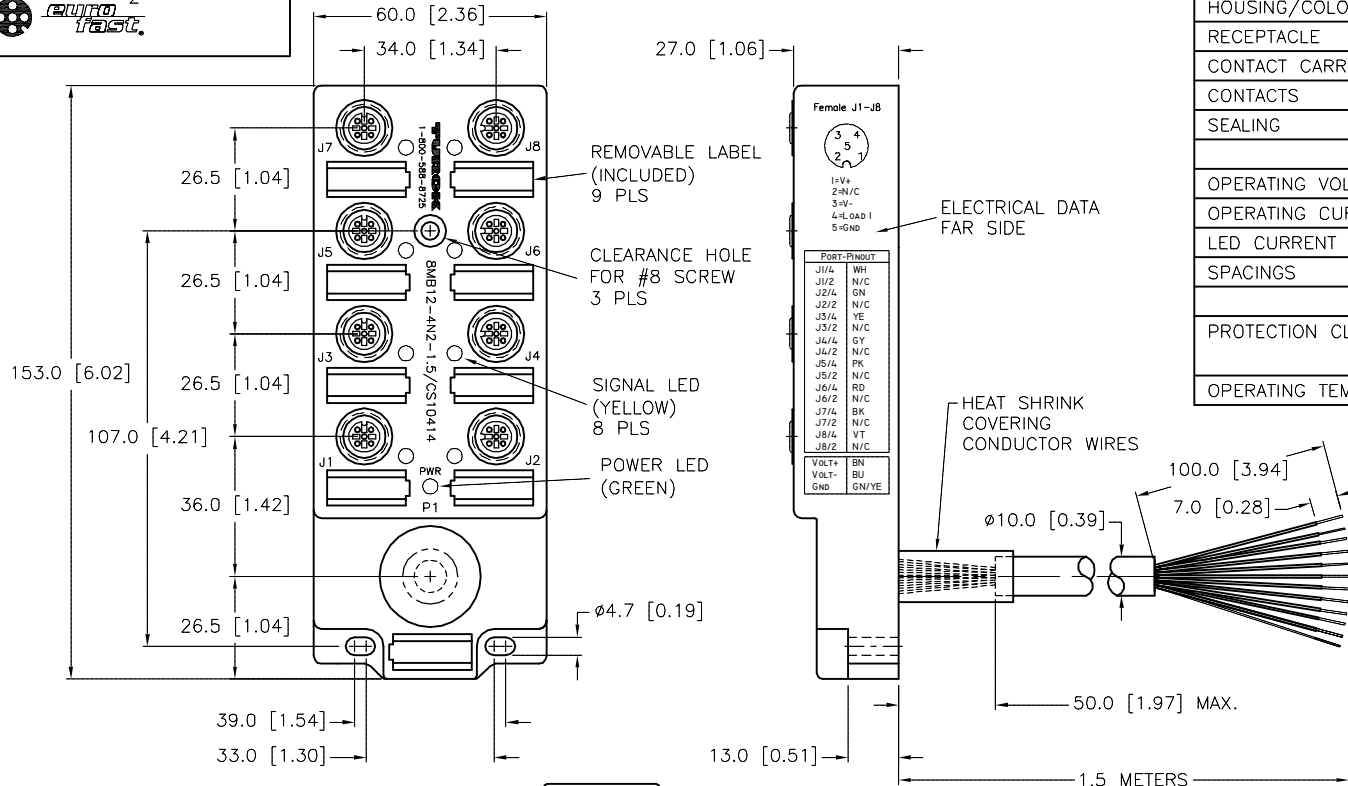
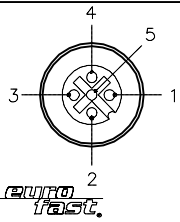


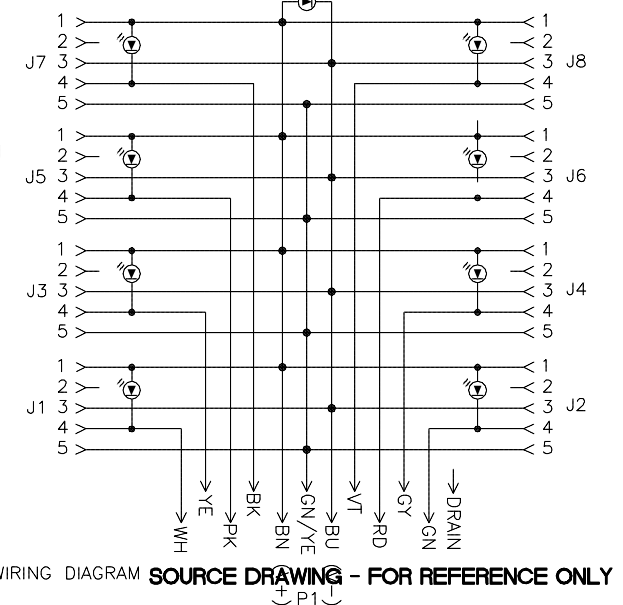
FEMALE END VIEW (J1-J8)



- NOTES:
1. "/CS10414" DESIGNATES CUSTOM WIRED NPN JUNCTION BOX, REAR EXIT CABLE STAINLESS STEEL RECEPTACLES.
 2. RECOMMEND PANEL DRILL SIZE FOR CABLE THRU IS $\phi 14.28$ [0.625] MINIMUM.

SPECIFICATIONS

CABLE DATA	
NUMBER OF CONDUCTORS [AWG]	11x18 AWG
DRAIN/SHIELD	20 AWG DRAIN/POLYESTER FOIL SHIELD
CONDUCTOR INSULATION MATERIAL	PVC
OUTTER JACKET MATERIAL/COLOR	PVC/YELLOW
MATERIAL	
HOUSING/COLOR	NYLON/BLACK
RECEPTACLE	STAINLESS STEEL
CONTACT CARRIERS/COLOR	NYLON/BLACK
CONTACTS	GOLD-PLATED BRASS
SEALING	VITON O-RING (M12)
ELECTRICAL DATA	
OPERATING VOLTAGE	10-48 VDC
OPERATING CURRENT	4.0 AMPS PER PORT, 9.0 AMPS TOTAL
LED CURRENT	12mA MAX AT 48VDC SUPPLY VOLTAGE(PER LED)
SPACINGS	to VDE 0110 GROUP C
MECHANICAL DATA	
PROTECTION CLASS to DIN 40050	IP 67 - ONLY WHEN ALL RECEPTACLES ARE COVERED WITH PLUGS OR CONNECTED
OPERATING TEMPERATURE	-30°C to +80°C (-25°F to +176°F)



RELATED DOCUMENTS 1. 2. 3. 4.	3RD ANGLE PROJECTION 	THIS DRAWING IS CONFIDENTIAL AND THE PROPERTY OF TURCK INC. USE OF THIS DOCUMENT WITHOUT WRITTEN PERMISSION IS PROHIBITED.		3000 CAMPUS DRIVE MINNEAPOLIS, MN 55441 1-800-544-7769 (763) 553-7300 (763) 553-0708 fax turck.com	
	MATERIAL SEE SPECIFICATIONS	DRFT JBJ APVD	DATE 12/27/01 SCALE 1=2	DESCRIPTION 8MB12-4N2-1.5/CS10414	
FINISH SEE SPECIFICATIONS	CONTACT TURCK FOR MORE INFORMATION	UNIT OF MEASUREMENT MILLIMETER [INCH]		IDENTIFICATION NO. U0878-83	REV E
DO NOT SCALE THIS DRAWING		FILE: U0878-83		SHEET 1 OF 1	

E	UPDATED CLOSURE CAPS	TV	09/17/15	48811
REV	DESCRIPTION	BY	DATE	ECO NO.