

LAYOUT SHOWN AS EXAMPLE

Keying Shown as example

**CHARACTERISTICS**

- Standard : Based on MIL-DTL-38999 Series III
- Shell Material : Aluminium
- Shell Plating : Nickel
- Insulator : Thermoplastic
- Contacts : Copper Alloy
- Seals & Grommet : Silicon Elastomer
- Contact Plating : Gold over copper Alloy 0.8µm minimum
- Durability : 500 Mating cycles
- Delivered with Souriau contacts and Accessories
- Temperature Range : -65°C to +200°C
- Salt Spray : 48 hours
- Mass : 44.14 g ± 10%

| Connector dimension |                 |
|---------------------|-----------------|
| Dim                 | Nominal         |
| A                   | 49.2±0.3        |
| B                   | 33.32+0.1/-0.15 |
| R                   | 32.5Max         |
| S                   | 46±0.4          |
| W                   | 3+0.9/-0.1      |
| VV THREAD           | M28x1-6g        |

| PC Contact dimension |             |
|----------------------|-------------|
| ØD                   | 0.7 Max     |
| L1                   | 6.78 / 8.21 |
| L2                   | 4+0/-0.2    |

SOURIAU shall not be liable for any non-conformity or damage due to a use of the Products which does not comply with the Specifications issued by either of the Parties or by a third party (professional recommendation, technical notice.)

| Country | Jurisdiction & Control List |
|---------|-----------------------------|
| FR      | Not Listed                  |

**PN: 8D7C19F35PN**

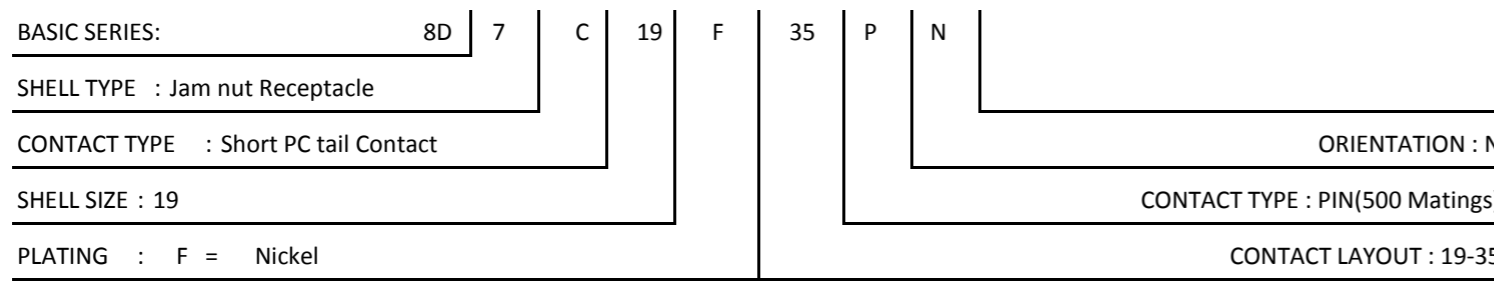
| A            | 07-11-2016 | First Release            |                         |
|--------------|------------|--------------------------|-------------------------|
| ISS          | DATE       | Latest modification - by | MOD N°                  |
| Designed By: |            | Date:                    | <b>CUSTOMER DRAWING</b> |

| TITLE | <b>Aluminium Receptacle 8D series</b> |  |  |
|-------|---------------------------------------|--|--|
|-------|---------------------------------------|--|--|

|       |  |                                |                 |
|-------|--|--------------------------------|-----------------|
| SCALE |  | General linear Tolerances: ±-- | NPRDS / PROJECT |
| NA    |  |                                | <b>859</b>      |

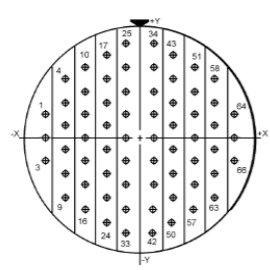
|                |                        |   |  |
|----------------|------------------------|---|--|
| <b>SOURIAU</b> | <b>WWW.SOURIAU.COM</b> | This document is the property of SOURIAU it must not be reproduced or communicated without permission |  |
|----------------|------------------------|---|--|

|           |                                     |  |            |
|-----------|-------------------------------------|--|------------|
| FORMAT    | <b>SOURIAU DRG N° 8D7C19F35PN-C</b> |  | SHEET      |
| <b>A3</b> |                                     |  | <b>1/2</b> |



H G F E D C B A

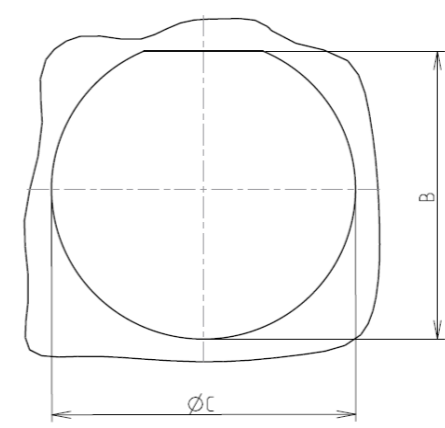
Contact Layout



| DIAMETER FOR PCB DRILLING |          |
|---------------------------|----------|
| Contact Type              | Diameter |
| Contact Size 22           | Ø1 Min   |

Panel cutout

JAM NUT RECEPTACLE (TYPE 7)



Max. thickness panel for receptacle: Type 7: 3.2 mm

| Dim | Nominal       |
|-----|---------------|
| B   | 33.91+0/-0.25 |
| ØC  | 35.18+0.25/-0 |

| Contacts (Insert arrangement 19-35) |             |             |                     |             |             |
|-------------------------------------|-------------|-------------|---------------------|-------------|-------------|
| Contact position ID                 | Location    |             | Contact position ID | Location    |             |
|                                     | X-axis (mm) | Y-axis (mm) |                     | X-axis (mm) | Y-axis (mm) |
| 1                                   | -357 (9.07) | +090 (2.29) | 34                  | +045 (1.14) | +360 (9.14) |
| 2                                   | -357 (9.07) | +000 (0.00) | 35                  | +045 (1.14) | +270 (6.86) |
| 3                                   | -357 (9.07) | -090 (2.29) | 36                  | +045 (1.14) | +180 (4.57) |
| 4                                   | -279 (7.09) | +225 (5.72) | 37                  | +045 (1.14) | +090 (2.29) |
| 5                                   | -279 (7.09) | +135 (3.43) | 38                  | +045 (1.14) | +000 (0.00) |
| 6                                   | -279 (7.09) | +045 (1.14) | 39                  | +045 (1.14) | -090 (2.29) |
| 7                                   | -279 (7.09) | -045 (1.14) | 40                  | +045 (1.14) | -180 (4.57) |
| 8                                   | -279 (7.09) | -135 (3.43) | 41                  | +045 (1.14) | -270 (6.86) |
| 9                                   | -279 (7.09) | -225 (5.72) | 42                  | +045 (1.14) | -360 (9.14) |
| 10                                  | -201 (5.11) | +270 (6.86) | 43                  | +123 (3.12) | +315 (8.00) |
| 11                                  | -201 (5.11) | +180 (4.57) | 44                  | +123 (3.12) | +225 (5.72) |
| 12                                  | -201 (5.11) | +090 (2.29) | 45                  | +123 (3.12) | +135 (3.43) |
| 13                                  | -201 (5.11) | +000 (0.00) | 46                  | +123 (3.12) | +045 (1.14) |
| 14                                  | -201 (5.11) | -090 (2.29) | 47                  | +123 (3.12) | -045 (1.14) |
| 15                                  | -201 (5.11) | -180 (4.57) | 48                  | +123 (3.12) | -135 (3.43) |
| 16                                  | -201 (5.11) | -270 (6.86) | 49                  | +123 (3.12) | -225 (5.72) |
| 17                                  | -123 (3.12) | +315 (8.00) | 50                  | +123 (3.12) | -315 (8.00) |

| Contacts (Insert arrangement 19-35) |             |             |                     |             |             |
|-------------------------------------|-------------|-------------|---------------------|-------------|-------------|
| Contact position ID                 | Location    |             | Contact position ID | Location    |             |
|                                     | X-axis (mm) | Y-axis (mm) |                     | X-axis (mm) | Y-axis (mm) |
| 18                                  | -123 (3.12) | +225 (5.72) | 51                  | +201 (5.11) | +270 (6.86) |
| 19                                  | -123 (3.12) | +135 (3.43) | 52                  | +201 (5.11) | +180 (4.57) |
| 20                                  | -123 (3.12) | +045 (1.14) | 53                  | +201 (5.11) | +090 (2.29) |
| 21                                  | -123 (3.12) | -045 (1.14) | 54                  | +201 (5.11) | +000 (0.00) |
| 22                                  | -123 (3.12) | -135 (3.43) | 55                  | +201 (5.11) | -090 (2.29) |
| 23                                  | -123 (3.12) | -225 (5.72) | 56                  | +201 (5.11) | -180 (4.57) |
| 24                                  | -123 (3.12) | -315 (8.00) | 57                  | +201 (5.11) | -270 (6.86) |
| 25                                  | -045 (1.14) | +360 (9.14) | 58                  | +279 (7.09) | +225 (5.72) |
| 26                                  | -045 (1.14) | +270 (6.86) | 59                  | +279 (7.09) | +135 (3.43) |
| 27                                  | -045 (1.14) | +180 (4.57) | 60                  | +279 (7.09) | +045 (1.14) |
| 28                                  | -045 (1.14) | +090 (2.29) | 61                  | +279 (7.09) | -045 (1.14) |
| 29                                  | -045 (1.14) | +000 (0.00) | 62                  | +279 (7.09) | -135 (3.43) |
| 30                                  | -045 (1.14) | -090 (2.29) | 63                  | +279 (7.09) | -225 (5.72) |
| 31                                  | -045 (1.14) | -180 (4.57) | 64                  | +357 (9.07) | +090 (2.29) |
| 32                                  | -045 (1.14) | -270 (6.86) | 65                  | +357 (9.07) | +000 (0.00) |
| 33                                  | -045 (1.14) | -360 (9.14) | 66                  | +357 (9.07) | -090 (2.29) |

| (Applicable to MIL-DTL-38999 only) |                 |                    |               |                |                  |            |
|------------------------------------|-----------------|--------------------|---------------|----------------|------------------|------------|
| Shell size                         | Arrangement no. | Number of contacts | Size contacts | Service rating | Contact location | Supersedes |
| 19                                 | -35             | 66                 | 22D           | M              | All              | MS27530-35 |

SOURIAU shall not be liable for any non-conformity or damage due to a use of the Products which does not comply with the Specifications issued by either of the Parties or by a third party (professional recommendation, technical notice.)

| Country | Jurisdiction & Control List |
|---------|-----------------------------|
| FR      | Not Listed                  |

PN: 8D7C19F35PN

|                |                                     |                                |   |
|----------------|-------------------------------------|--------------------------------|---|
| A              | 07-11-2016                          | First Release                  |   |
| ISS            | DATE                                | Latest modification - by       | MOD N°  |
| Designed By:   |                                     | Date:                          | <b>CUSTOMER DRAWING</b>   |
| <b>TITLE</b>   | Aluminium Receptacle 8D series      |                                |   |
| SCALE          |                                     | General linear Tolerances: ±-- | NPRDS / PROJECT   |
| NA             |                                     |                                | <b>859</b>  |
| <b>SOURIAU</b> | <b>WWW.SOURIAU.COM</b>              |                                | This document is the property of SOURIAU it must not be reproduced or communicated without permission |
| FORMAT         | <b>SOURIAU DRG N° 8D7C19F35PN-C</b> |                                | SHEET   |
| <b>A3</b>      |                                     |                                | <b>2/2</b>  |

H G F E D C B A