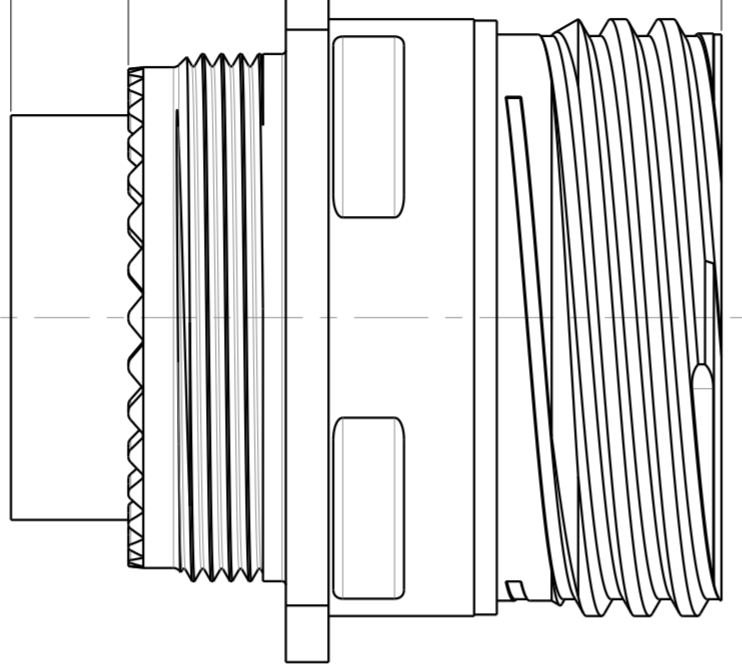
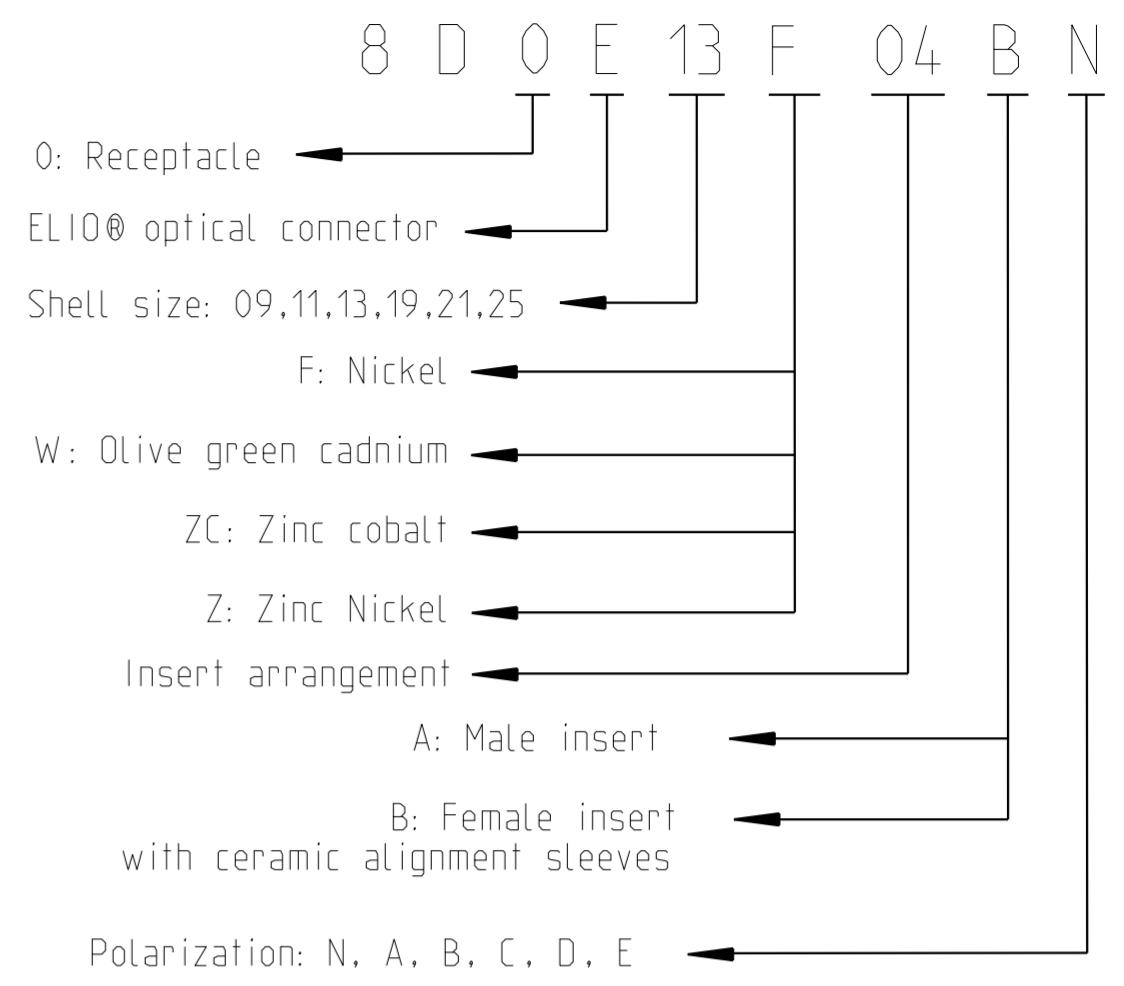


6.6 Max
 10.72 Max (Shell size 09 to 19)
 11.54 Max (Shell size 21 to 25)
 2.5 Max (Shell size 09 to 19)
 3.2 Max (Shell size 21 to 25)
 20.9 Max (Shell size 09 to 19)
 20.07 Max (Shell size 21 to 25)

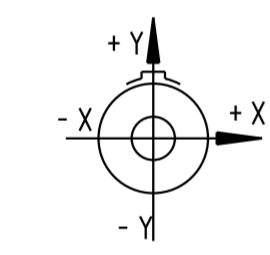


Schell size	A±0.3 (mm)	Female receptacle Mass ±10% (g)
09	23.8	10
11	26.2	13.5
13	28.6	18
19	36.5	36.3
21	39.7	42.9
25	46	58.5

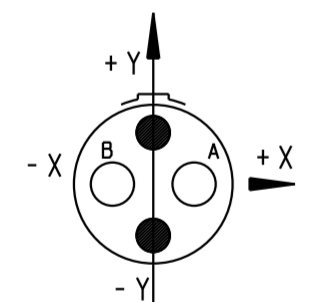
ORDERING INFORMATION :



INSERT ARRANGEMENT- FRONT FACE OF MALE INSERT

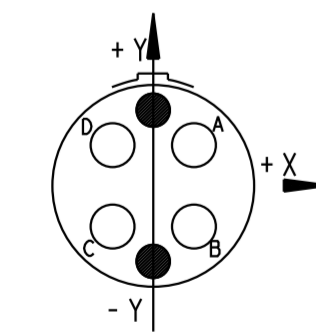


09-01



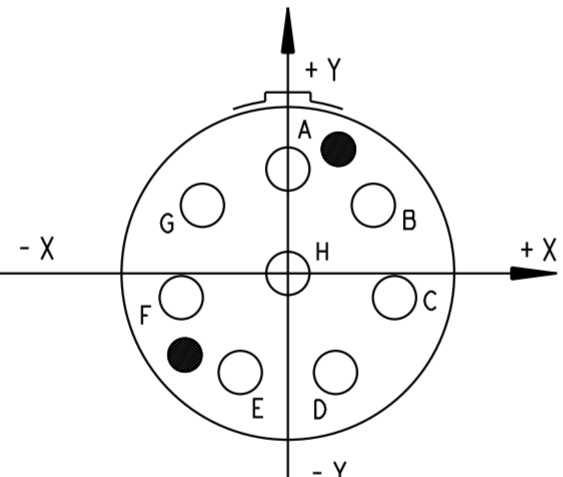
11-02

	X	Y
A	+ 2.70	0
B	- 2.70	0



13-04

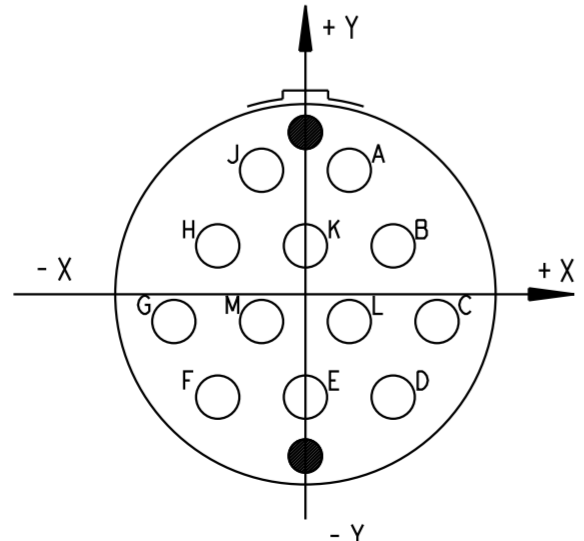
	X	Y
A	+ 2.70	+ 2.70
B	+ 2.70	- 2.70
C	- 2.70	- 2.70
D	- 2.70	+ 2.70



19-08

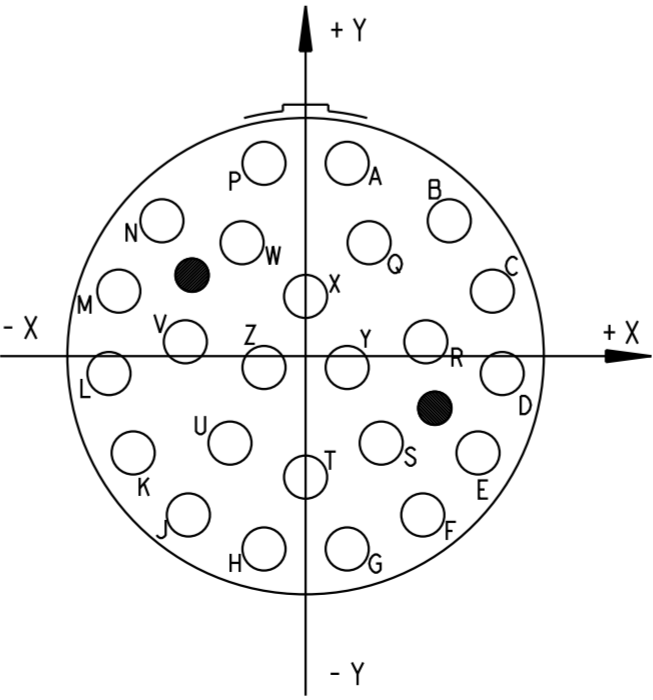
	X	Y
A	0	+ 6.90
B	+ 5.65	+ 4.50
C	+ 7.05	- 1.60
D	+ 3.15	- 6.55
E	- 3.15	- 6.55
F	- 7.05	- 1.60
G	- 5.65	+ 4.50
H	0	0

● GUIDING PIN
 ○ ELIO® EN4531 CAVITY



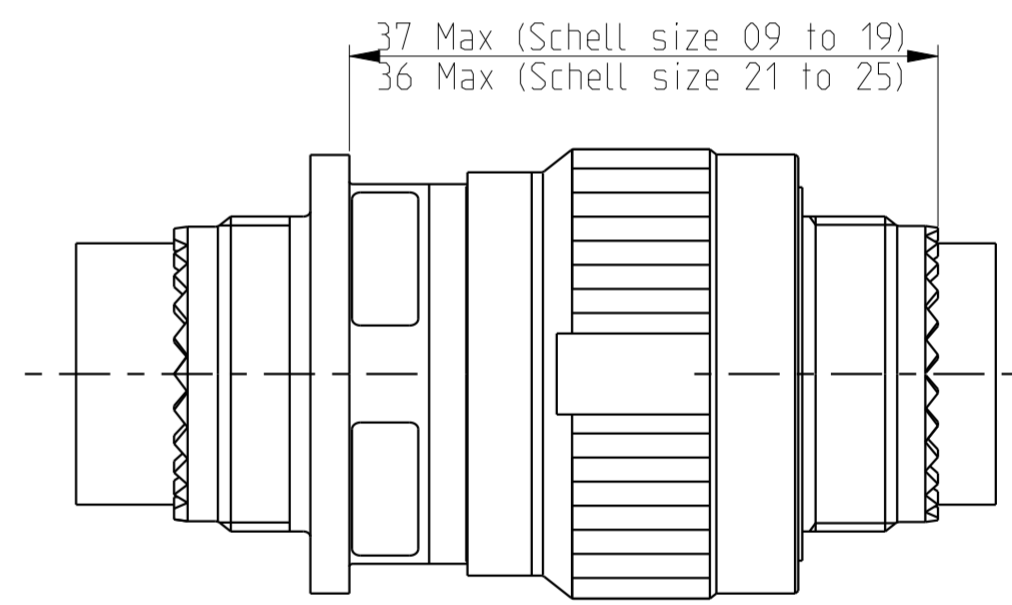
21-12

	X	Y
A	+ 2.9	+ 8
B	+ 5.8	+ 3.15
C	+ 8.7	- 1.75
D	+ 5.8	- 6.6
E	0	- 6.6
F	- 5.8	- 6.6
G	- 8.7	- 1.75
H	- 5.8	+ 3.15
J	- 2.9	+ 8
K	0	+ 3.15
L	+ 2.9	- 1.75
M	- 2.9	- 1.75



25-24

	X	Y
A	+ 2.75	+ 12.75
B	+ 9.50	+ 8.95
C	+ 12.35	+ 4.30
D	+ 13.00	- 1.15
E	+ 11.40	- 6.40
F	+ 7.75	- 10.50
G	+ 2.75	- 12.75
H	- 2.75	- 12.75
J	- 7.75	- 10.50
K	- 11.40	- 6.40
L	- 13.00	- 1.15
M	- 12.35	+ 4.30
N	- 9.50	+ 8.95
P	- 2.75	+ 12.75
Q	+ 4.20	+ 7.50
R	+ 7.95	+ 0.95
S	+ 5.00	- 5.75
T	0	- 8.00
U	- 5.00	- 5.75
V	- 7.95	+ 0.95
W	- 4.20	+ 7.50
X	0	+ 3.95
Y	+ 2.75	- 0.75
Z	- 2.75	- 0.75



Performance and dimensions compliant with:
 - EN 4531
 - ARINC801 Appendix C
 - ABS1213 standard

Country	Jurisdiction & Control List
FR	NOT LISTED

ISS	26/01/16	updated layout 21-12	23309E
DATE	26/01/16	Latest modification - by: F. LECOMTE	MOD N°
DESIGNED BY	LECOMTE F	DATE	CUSTOMER DRAWING
TITLE	ELIO CONNECTOR - RECEPTACLE TYPE O - ALUMINIUM		
SCALE	5/2	General Linear Tolerances: ± 0.2	NPRDS / PROJECT 8DOE
FORMAT	A2	SOURIAU DRG N° 8DOE-ALUMINIUM-C01	
SOURIAU WWW.SOURIAU.COM		This document is the property of SOURIAU. It must not be reproduced or communicated without permission.	
SHEET 1 / 1			