

8-1196909-1 ✓ ACTIVE

RAYCHEM

TE Internal #: 888163-000

SolderSleeve Shield Terminators, 16.51 mm [.65 in] Expanded Inside, 8 mm [.315 in] Recovered Inside, Splash Protection

[View on TE.com >](#)



Wire Protection & Management > Interconnect Devices > SolderSleeve Shield Terminators



Operating Temperature (Max): 135 °C

Expanded Inside Diameter (Min): 16.51 mm [.65 in]

Recovered Inside Diameter (Max): 8 mm [.315 in]

Pre-Installed Lead: No

Resistance Properties: **Splash Protection**

## Features

### Product Type Features

Interconnect Device Splice Type	SolderShield
---------------------------------	--------------

### Configuration Features

Pre-Installed Lead	No
--------------------	----

### Dimensions

Product Length	53 mm[2.085 in]
Expanded Inside Diameter (Min)	16.51 mm[.65 in]
Recovered Inside Diameter (Max)	8 mm[.315 in]

### Usage Conditions

Operating Temperature (Max)	135 °C
Resistance Properties	Splash Protection
Wire Temperature (Max)	125 °C

## Product Compliance

[For compliance documentation, visit the product page on TE.com>](#)

EU RoHS Directive 2011/65/EU	Not Compliant
EU ELV Directive 2000/53/EC	Not Compliant
China RoHS 2 Directive MIIT Order No 32, 2016	Restricted Materials Above Threshold
EU REACH Regulation (EC) No. 1907/2006	Current ECHA Candidate List: JAN 2024 (240)



Candidate List Declared Against: JAN 2024  
(240)

SVHC > Threshold:

Pb (37% in Solder)

**Article Safe Usage Statements:**

Do not eat, drink or smoke when using this product. Wash thoroughly after handling. Recycle if possible and dispose of the article by following all applicable governmental regulations relevant to your geographic location.

Halogen Content

Low Bromine/Chlorine - Br and Cl < 900 ppm per homogenous material. Also BFR /CFR/PVC Free

Solder Process Capability

Not applicable for solder process capability

**Product Compliance Disclaimer**

This information is provided based on reasonable inquiry of our suppliers and represents our current actual knowledge based on the information they provided. This information is subject to change. The part numbers that TE has identified as EU RoHS compliant have a maximum concentration of 0.1% by weight in homogenous materials for lead, hexavalent chromium, mercury, PBB, PBDE, DBP, BBP, DEHP, DIBP, and 0.01% for cadmium, or qualify for an exemption to these limits as defined in the Annexes of Directive 2011/65/EU (RoHS2). Finished electrical and electronic equipment products will be CE marked as required by Directive 2011/65/EU. Components may not be CE marked. Additionally, the part numbers that TE has identified as EU ELV compliant have a maximum concentration of 0.1% by weight in homogenous materials for lead, hexavalent chromium, and mercury, and 0.01% for cadmium, or qualify for an exemption to these limits as defined in the Annexes of Directive 2000/53/EC (ELV). Regarding the REACH Regulation, the information TE provides on SVHC in articles for this part number is based on the latest European Chemicals Agency (ECHA) 'Guidance on requirements for substances in articles' posted at this URL: <https://echa.europa.eu/guidance-documents/guidance-on-reach>

## Customers Also Bought



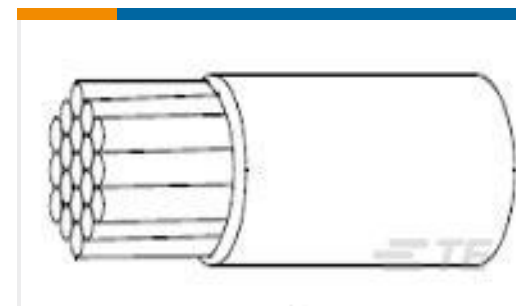
TE Part # 650137-000  
D-436-0097



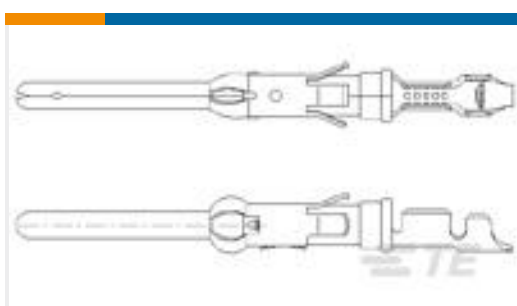
TE Part # 925819-3  
MINI AMP-IN 26-22 AWG



TE Part # 620068-000  
D-108-10



TE Part # 5359893001  
55K9081-24-9



TE Part # 1-163081-1  
.062 DIA PIN ASSY 3+



TE Part # ZPF000000000014050  
DBAS 79-3-0 SN-A6161



TE Part # ZPF000000000000263  
006-0909-14



TE Part # 6756750001  
TMS-SCE-3/32-2.0-S3-9



## Documents

### Product Drawings

[B-070-19-08](#)

English

---

### Product Specifications

[Product Specification](#)

English