

# HT-SCE-1/8-2.0-S1-9 ✓ ACTIVE

TE Internal #: 8880530001

Ladder, High Temperature, 2:1 Shrink Ratio, White, 1 Prescore, Markers per Sleeve 2, Length 25.4 mm [1 in], Printable Tubing

[View on TE.com >](#)



Identification & Labeling > Printable Tubing > HT-SCE High Temperature Sleeves



Printable Tubing Type: **Ladder**

Printable Tubing Grade: **High Temperature**

Shrink Ratio: **2:1**

Primary Product Color: **White**

Number of Prescores: **1**

[All HT-SCE High Temperature Sleeves \(52\)](#)

## Features

### Product Type Features

Printable Tubing Type	Ladder
Printable Tubing Grade	High Temperature

### Body Features

Shrink Ratio	2:1
Primary Product Color	White
Markers per Sleeve	2

### Dimensions

Product Length	25.4 mm[1 in]
Expanded Inside Diameter (Min)	3.18 mm[.125 in]
Recovered Inside Diameter (Max)	1.58 mm[.062 in]
Compatible Cable Diameter Range	1.75 – 2.66 mm[.068 – .104 in]

### Usage Conditions

Operating Temperature Range	-55 – 225 °C[-67 – 437 °F]
-----------------------------	----------------------------

### Printer/Label Features

Printer Technology	Thermal Transfer
Number of Prescores	1

### Packaging Features



Packaging Quantity	250
--------------------	-----

### Product Compliance

[For compliance documentation, visit the product page on TE.com>](#)

EU RoHS Directive 2011/65/EU	Compliant
EU ELV Directive 2000/53/EC	Compliant
China RoHS 2 Directive MIIT Order No 32, 2016	No Restricted Materials Above Threshold
EU REACH Regulation (EC) No. 1907/2006	Current ECHA Candidate List: JUNE 2024 (241) Candidate List Declared Against: JUNE 2024 (241) Does not contain REACH SVHC
Halogen Content	Low Bromine/Chlorine - Br and Cl < 900 ppm per homogenous material. Also BFR /CFR/PVC Free
Solder Process Capability	Not applicable for solder process capability

#### Product Compliance Disclaimer

This information is provided based on reasonable inquiry of our suppliers and represents our current actual knowledge based on the information they provided. This information is subject to change. The part numbers that TE has identified as EU RoHS compliant have a maximum concentration of 0.1% by weight in homogenous materials for lead, hexavalent chromium, mercury, PBB, PBDE, DBP, BBP, DEHP, DIBP, and 0.01% for cadmium, or qualify for an exemption to these limits as defined in the Annexes of Directive 2011/65/EU (RoHS2). Finished electrical and electronic equipment products will be CE marked as required by Directive 2011/65/EU. Components may not be CE marked. Additionally, the part numbers that TE has identified as EU ELV compliant have a maximum concentration of 0.1% by weight in homogenous materials for lead, hexavalent chromium, and mercury, and 0.01% for cadmium, or qualify for an exemption to these limits as defined in the Annexes of Directive 2000/53/EC (ELV). Regarding the REACH Regulation, the information TE provides on SVHC in articles for this part number is based on the latest European Chemicals Agency (ECHA) 'Guidance on requirements for substances in articles' posted at this URL: <https://echa.europa.eu/guidance-documents/guidance-on-reach>

### Compatible Parts

 <p>TE Part # 754073-000 TMS-RJS-RIBBON-4HT</p>	 <p>TE Part # 1-2186500-1 T3212-PRINTER</p>	 <p>TE Part # 1-2186503-1 T3224-SWARE-PRINTER</p>	 <p>TE Part # 1-2186501-1 T3212-SWARE-PRINTER</p>
--	--	--	--

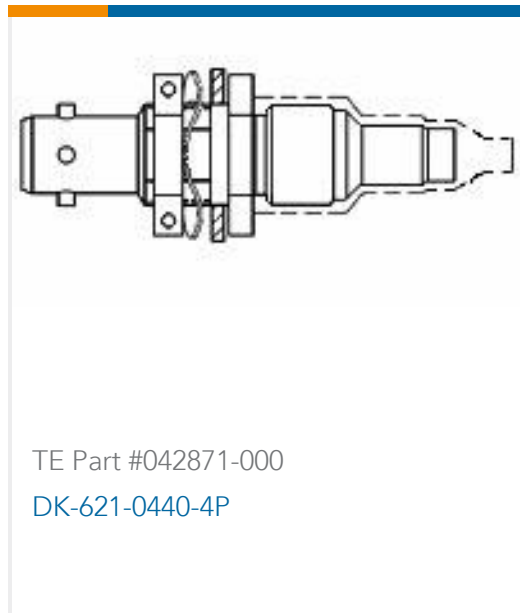


TE Part # 1-2186502-1  
T3224-PRINTER

### Customers Also Bought



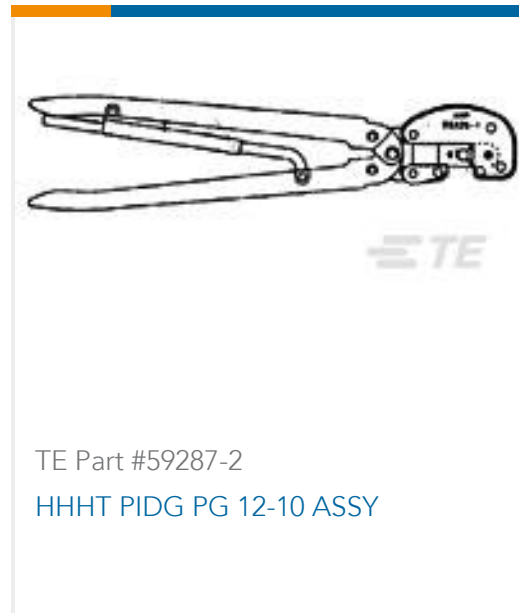
TE Part #5476270001  
HT-SCE-3/32-2.0-9



TE Part #042871-000  
DK-621-0440-4P



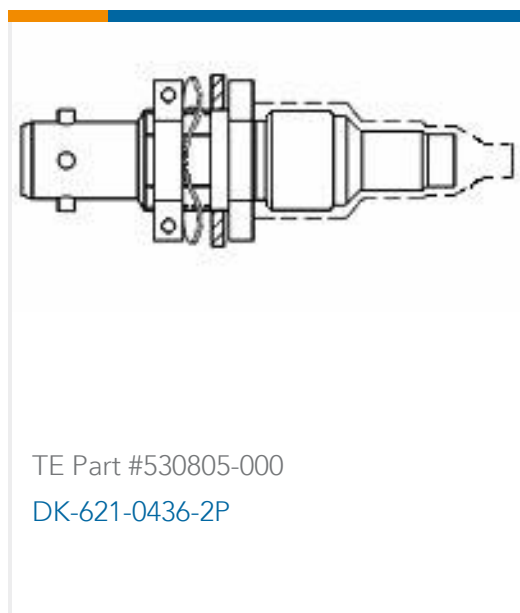
TE Part #34136  
SPLICE,PG PARA 12-10



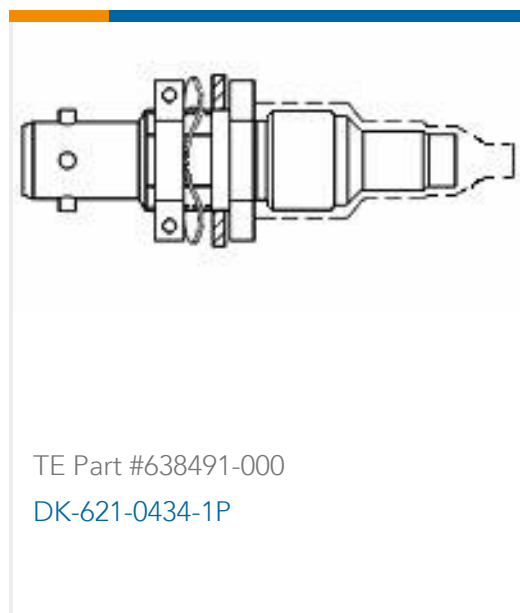
TE Part #59287-2  
HHHT PIDG PG 12-10 ASSY



TE Part #T4112012081-000  
M12 F, 8P GOLD A\_CODE RA SHIELDED PG9



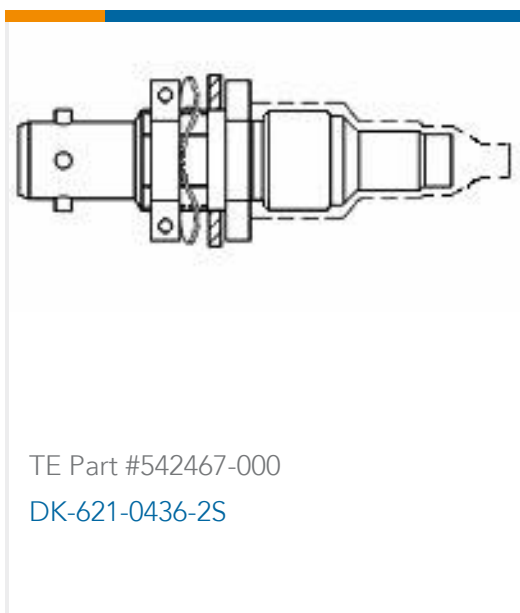
TE Part #530805-000  
DK-621-0436-2P



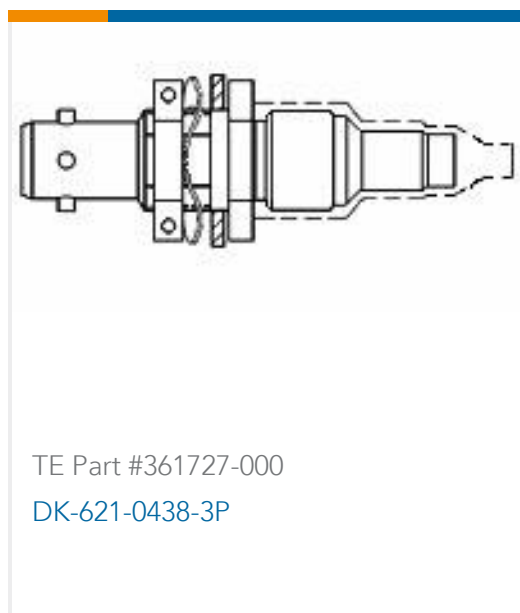
TE Part #638491-000  
DK-621-0434-1P



TE Part #ZPF000000000103649  
951-02 R 14-19 PY 50



TE Part #542467-000  
DK-621-0436-2S



TE Part #361727-000  
DK-621-0438-3P

### Documents

#### Datasheets & Catalog Pages

[IDENTIFICATION SELECTION GUIDE](#)

English

[HT-SCE High Temperature Heat Shrink Identification System](#)

English

#### Product Specifications

[IDENTIFCATION PRINTER PRODUCT RIBBON MATRIX](#)

English



---

**Instruction Sheets**

**Instruction Sheet (non U.S.)**

English