

DIN rail mounted

→ TOP 2000

- Multi-function
- Multi-range
- Mono-voltage
- 1 timed changeover + 1 instantaneous contact
- Elapsed time can be saved mechanically in the event of a break in supply
- Progress of a cycle displayed
- Housing for DIN rail mounting



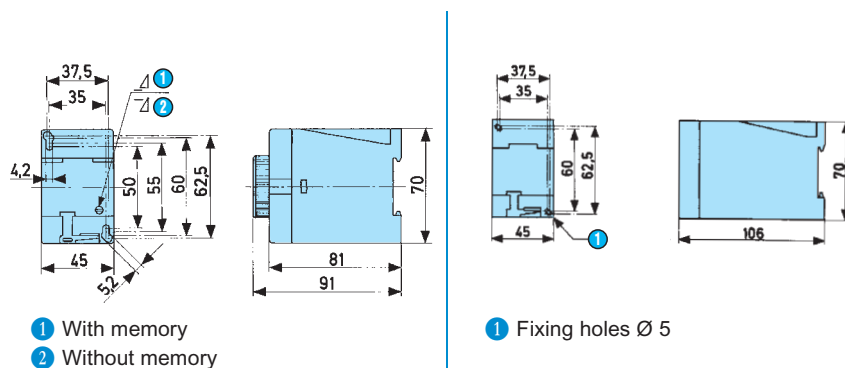
Specifications

Type	Relay outputs	Functions	Voltage	Code
6 s - 12 min	1 timed changeover 5 A 1 instantaneous	Multi-function : 2 - 3 - 4	24 V AC	88 225 013
			42 → 48 V AC	88 225 019
			110 → 127 V AC	88 225 012
			220 → 240 V AC	88 225 011
6 min - 12 h	1 timed changeover 5 A 1 instantaneous	Multi-function : 2 - 3 - 4	24 V AC	88 225 016
			42 → 48 V AC	88 225 017
			110 → 127 V AC	88 225 015
			220 → 240 V AC	88 225 014

Options

	Code
Inverter for DC supply 24 - 48 V	84 861 501
Inverter for DC supply 110 . 127 V	84 861 503

Dimensions



To order, see page 6

General characteristics

Precision

Precision limit error	±2 % (±5 % / 6 s)
Repetition accuracy	±1.5 % (±4 % / 6 s)
Reset time	0.20 s

Output specification

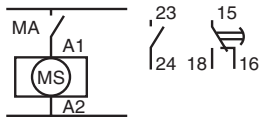
Timed two-pole	1
Instantaneous single pole	1
Thermal rating	6.3 A
Rating (cos φ = 0.41) 10 ⁴ operations	5 A - 230 V

Function and use

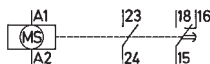
Voltage variation at maximum temperature of 55 °C according to IEC 255 100	24 V +10 % - 42 V -15 % - 48 V +10 % - 110 V -20 % - 127 V 0 % - 220 V - 20 % - 240 V 0 %
Absorbed power-motor	3 VA cos μ 0.7
Operator factor	100 %
Temperature limit operation (°C)	-10 → +55 °C
Temperature limits stored (°C)	-20 → +70 °C
Environmental protection Tropicalised to IEC 68-2-10	•
Vibration withstand on 3 axes (Veritas standard)	4 G - 55 Hz
Dielectric test voltage according to IEC 255 5 or VDE 0435	1000 V - Un ≤ 60 V 2000 V - Un > 60 V
Insulation according to standard VDE 0110 group C	380 V AC - 440 V DC
Protection Housing	IP 40
Protection Terminal	IP 10
Conformity to standards NFC 45250 - VDE 0110 - 0435 - 0660 or ICE 255 - 1 - 00	•
Connection : By screws in front face with self-lifting grips	•
Terminal capacity Single-wire	(1-2) x 0.75 - 2.5 mm ²
Terminal capacity : Multi-wire with self-crimping ferrules	(1-2) x 0.75 - 2.5 mm ²
Mounting by screw	2 x M5
Mounting : on symmetrical DIN rail 35 mm (EN 50002)	•
Weight (g)	185

Connections

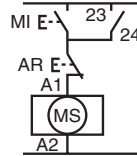
Function 2



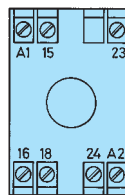
Internal layout



Function 3

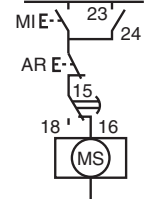


Terminal identification



A1 - A2 : Supply
15 - 16 - 18 Timed contact
23 - 24 Instantaneous contact

Function 4



Function 4 : On energisation, chance of contact bounce on instantaneous contact for 250 ms

Curves

Function 2



Function 3



Function 4



Other information

For 60 Hz frequency please consult us