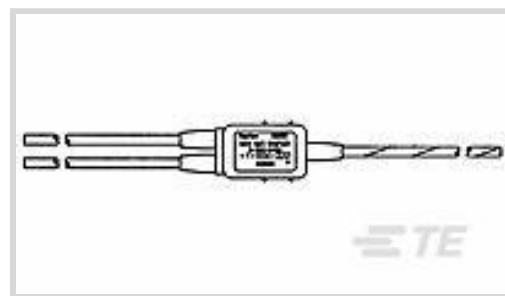




Cable Assemblies > Data Bus Components > Data Bus Couplers



Coupler Type: **In-Line Microcoupler**

Number of Stubs: 1

Cable Assembly Length: 1.981 m [6.5 ft]

Features

Product Type Features

Data Bus Cable Type	10612 (Single Optimized Shield Cable)
Coupler Type	In-Line Microcoupler

Configuration Features

Coupler Options	Without Internal Terminator but with Reverse Bus
Number of Stubs	1

Termination Features

Termination Method to Wire & Cable	Solder
------------------------------------	--------

Usage Conditions

Operating Temperature (Max)	150 °C
-----------------------------	--------

Other

Cable Assembly Length	1.981 m[6.5 ft]
-----------------------	-----------------

Product Compliance

[For compliance documentation, visit the product page on TE.com>](#)

EU RoHS Directive 2011/65/EU	Compliant
EU ELV Directive 2000/53/EC	Compliant
China RoHS 2 Directive MIIT Order No 32, 2016	No Restricted Materials Above Threshold
EU REACH Regulation (EC) No. 1907/2006	Current ECHA Candidate List: JUNE 2024 (241) Candidate List Declared Against: JAN 2024 (240)

Does not contain REACH SVHC

Halogen Content

Low Halogen - Br, Cl, F, I < 900 ppm per homogenous material. Also BFR/CFR/PVC Free

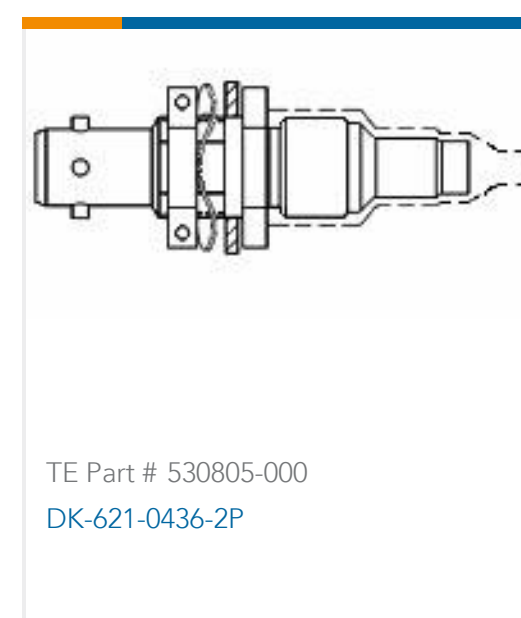
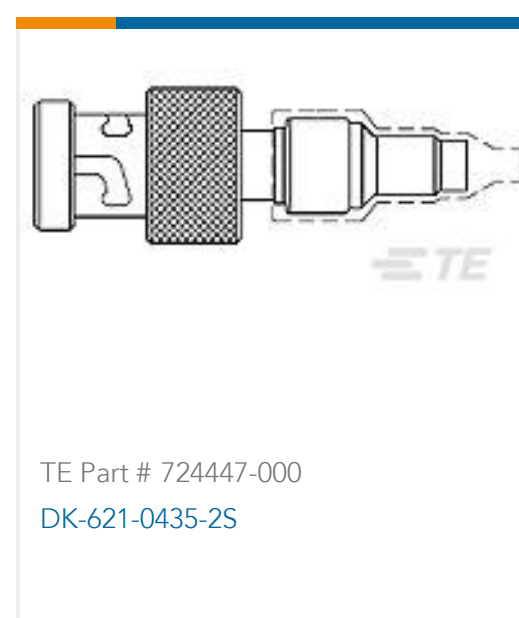
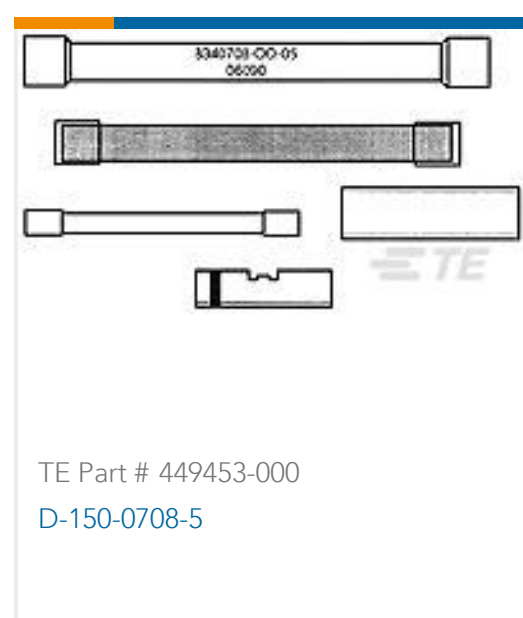
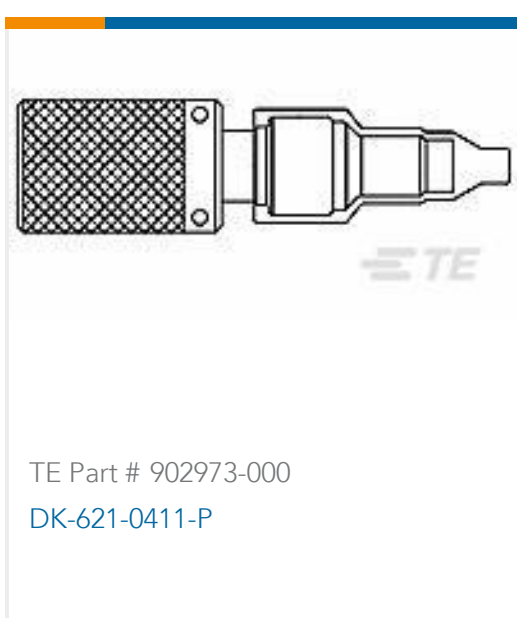
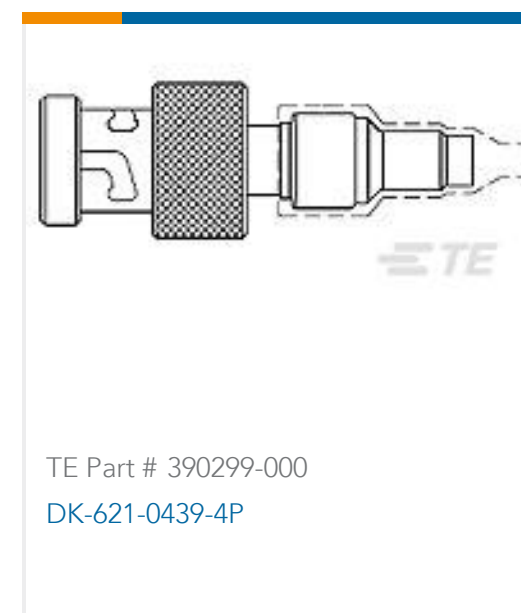
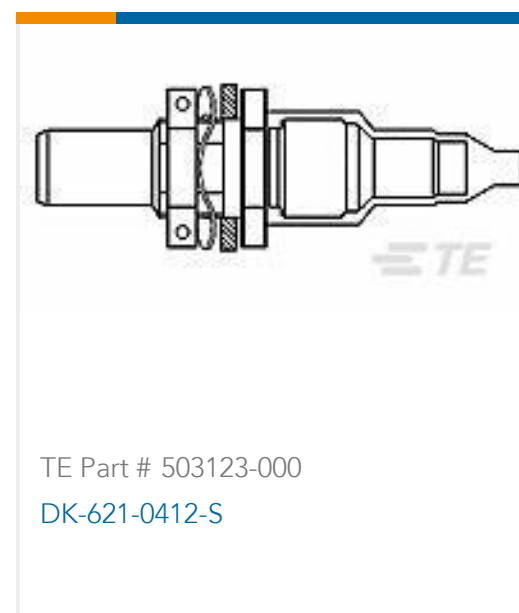
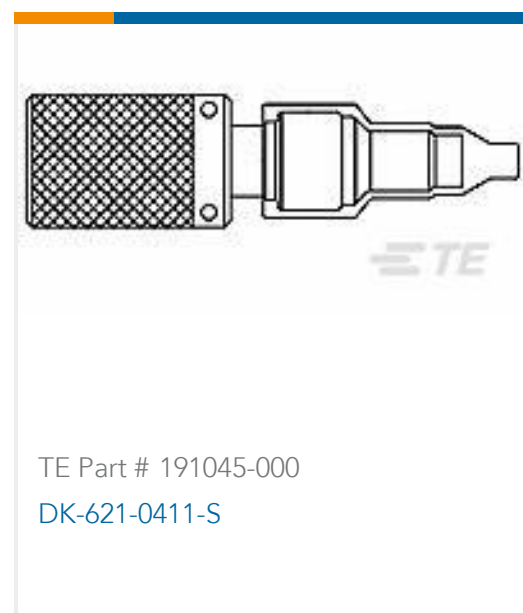
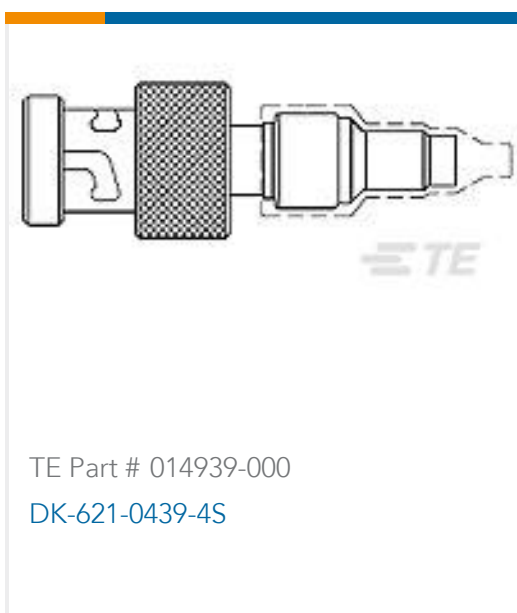
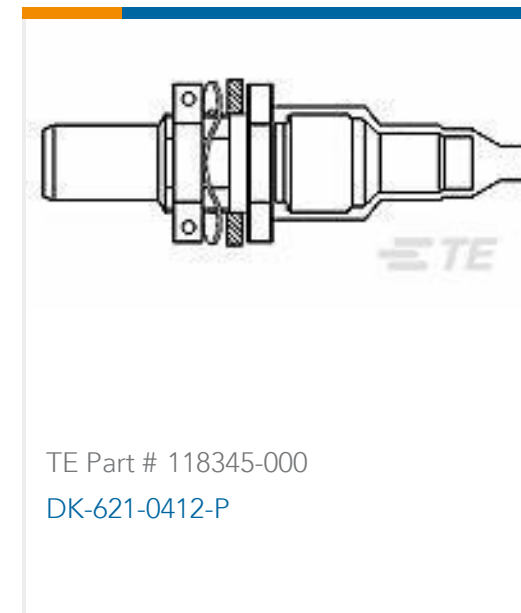
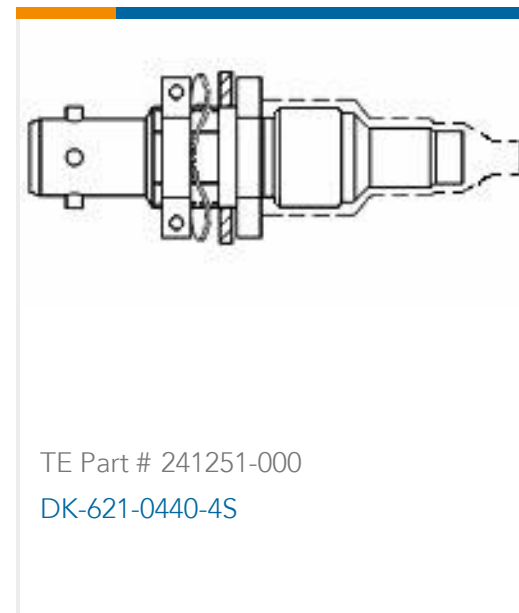
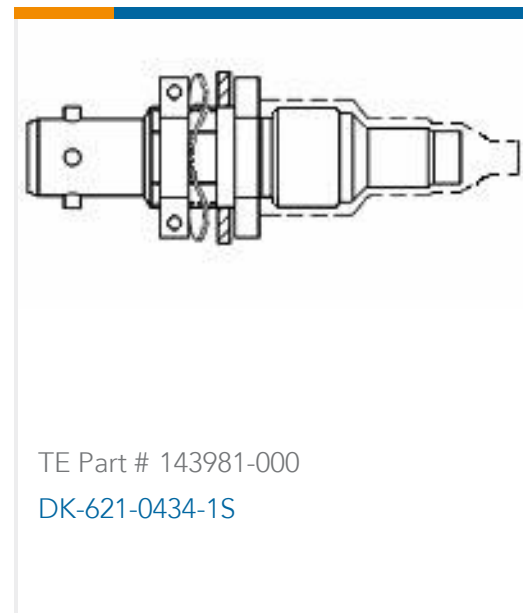
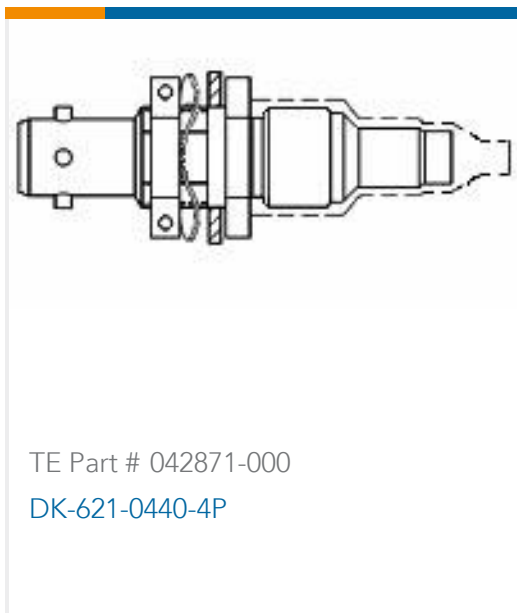
Solder Process Capability

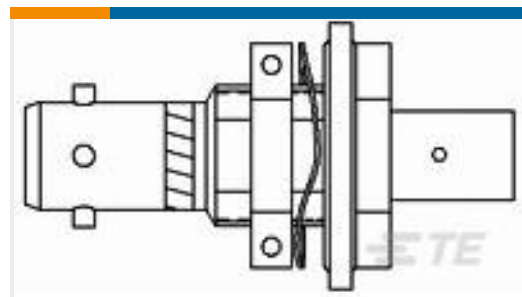
Not applicable for solder process capability

Product Compliance Disclaimer

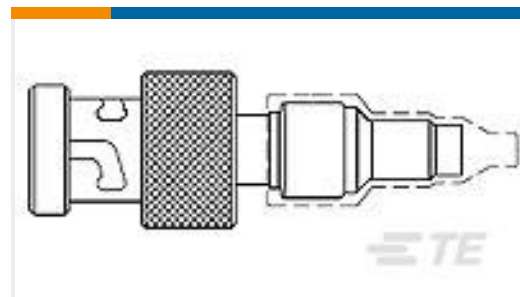
This information is provided based on reasonable inquiry of our suppliers and represents our current actual knowledge based on the information they provided. This information is subject to change. The part numbers that TE has identified as EU RoHS compliant have a maximum concentration of 0.1% by weight in homogenous materials for lead, hexavalent chromium, mercury, PBB, PBDE, DBP, BBP, DEHP, DIBP, and 0.01% for cadmium, or qualify for an exemption to these limits as defined in the Annexes of Directive 2011/65/EU (RoHS2). Finished electrical and electronic equipment products will be CE marked as required by Directive 2011/65/EU. Components may not be CE marked. Additionally, the part numbers that TE has identified as EU ELV compliant have a maximum concentration of 0.1% by weight in homogenous materials for lead, hexavalent chromium, and mercury, and 0.01% for cadmium, or qualify for an exemption to these limits as defined in the Annexes of Directive 2000/53/EC (ELV). Regarding the REACH Regulation, the information TE provides on SVHC in articles for this part number is based on the latest European Chemicals Agency (ECHA) 'Guidance on requirements for substances in articles' posted at this URL: <https://echa.europa.eu/guidance-documents/guidance-on-reach>

Compatible Parts

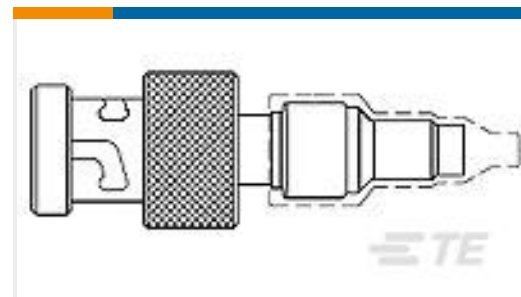




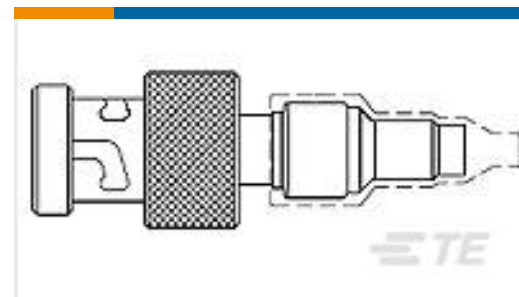
TE Part # 704201-000
DK-621-0438-3S



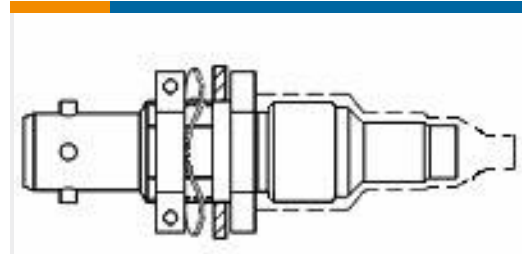
TE Part # 734989-000
DK-621-0437-3S



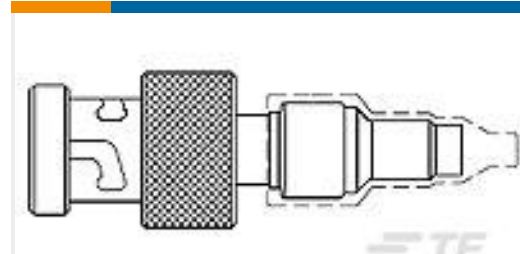
TE Part # 070351-000
DK-621-0435-2P



TE Part # 652913-000
DK-621-0437-3P



TE Part # 638491-000
DK-621-0434-1P



TE Part # 633671-000
DK-621-0433-1S



TE Part # 349147-000
D-500-0463-612

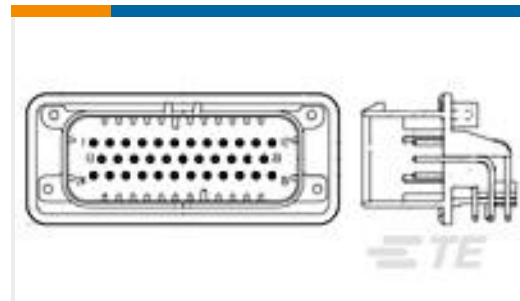


TE Part # 365668-000
DK-621-0439-4US

Customers Also Bought



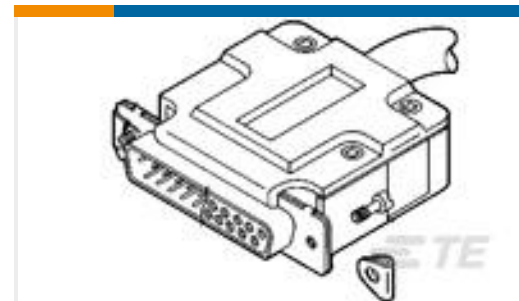
TE Part #1658683-1
HDP-22,RCPT,SIZE 3,44 POSN



TE Part #1-776180-1
35POS,PIN DIA 1.3,HDR ASSY,90DEG, COD 1



TE Part #3-1462039-0
IM23TS=IM RELAY 50mW 5V



TE Part #5207908-1
STRAIN RELIEF W/SCREW RET KIT



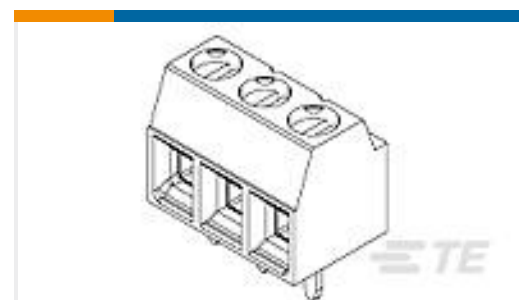
TE Part #1-794617-4
14POS,MICRO MNL,RCPT HSG



TE Part #4-794678-2
12P MICRO MNL ASSY,R/A,THRU,LF



TE Part #796740-2
2 POS PCB MT 6.35MM HI CRT TBK



TE Part #1776113-6
6P,3.81MM,SIDE ENTRY,HIGH TMP



TE Part #4-1393763-3
V23100V4324C011



TE Part #3-794631-2
02P MICRO MNL ASSY,VRT,HDR LF

Documents



Product Drawings

[D-500-0456-1-612-078](#)

English

Datasheets & Catalog Pages

[Data Bus Components Brochure](#)

English