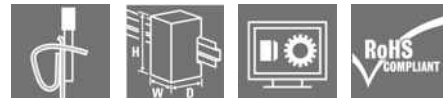


## RCMKITZ 24VDC 4CO LED

**Weidmüller Interface GmbH & Co. KG**  
 Klingenbergstraße 26  
 D-32758 Detmold  
 Germany

[www.weidmueller.com](http://www.weidmueller.com)

### Product image



Similar to illustration

### General ordering data

Version	RIDERSERIES RCM, Relay module, Number of contacts: 4, CO contact with test button AgNi, Rated control voltage: 24 V DC, Continuous current: 6 A, Tension-clamp connection, Test button available: Yes
Order No.	<a href="#">8798740000</a>
Type	RCMKITZ 24VDC 4CO LED
GTIN (EAN)	403224849436 1
Qty.	10 pc(s).
Relevant relay	<a href="#">8690200000</a>
Relevant base	<a href="#">8783920000</a>

Creation date January 6, 2023 3:14:36 PM CET

## RCMKITZ 24VDC 4CO LED

Weidmüller Interface GmbH &amp; Co. KG

Klingenbergstraße 26

D-32758 Detmold

Germany

www.weidmueller.com

## Technical data

## Dimensions and weights

Depth	79 mm	Depth (inches)	3.11 inch
Height	101 mm	Height (inches)	3.976 inch
Width	27 mm	Width (inches)	1.063 inch
Net weight	122.2 g		

## Temperatures

Storage temperature	-40 °C...70 °C	Operating temperature	-40 °C...70 °C
Humidity	40 °C / 93 % rel. humidity, no condensation		

## Control side

Rated control voltage	24 V DC	Rated current DC	31.3 mA
Power rating	750 mW	Pull-in/drop-out voltage, typ.	18 V / 2.4 V DC
Coil resistance	777 Ω ± 10 %	Coil tolerance	10 %
Status indicator	Green LED	Protective circuit	Free-wheeling diode

## Load side

Rated switching voltage	240 V AC	Continuous current	6 A
Max. switching frequency at rated load	0.1 Hz	Inrush current	12 A / 20 ms
AC switching capacity (resistive), max.	1500 VA	DC switching capacity (resistive), max.	144 W @ 24 V
Switch-on delay	≤ 15 ms	Switch-off delay	≤ 10 ms
Contact type	4 CO contact with test button (AgNi)	Mechanical service life	AC coil 20 x 10 <sup>6</sup> switching cycles, DC coil 30 x 10 <sup>6</sup> switching cycles
Min. switching power	1 mA @ 24 V, 10 mA @ 12 V, 100 mA @ 5 V		

## General data

Rail	TS 35	Test button available	Yes
Version of test button	lockable	Mechanical switch position indicator	Yes
Colour	black	UL 94 flammability rating	V-2

## Insulation coordination

Rated voltage	240 V	Pollution severity	2
Surge voltage category	III	Creepage and clearance distance input - output	≥ 4 mm
Dielectric strength, Input/Output	2.5 kV <sub>eff</sub> / 1 Min.	Dielectric strength of open contact	1.2 kV <sub>eff</sub> / 1 min.
Impulse withstand voltage	5 kV (1.2/50 μs)	Protection degree	IP20

## Further details of approvals / standards

Certificate no. (CSA) relay	249409-2426937	Certificate no. (cURus) relay	E522350
Certificate no. (cURus) base	E223759		

## Connection data

Wire connection method	Tension-clamp connection	Clamping range, rated connection	1.5 mm <sup>2</sup>
Clamping range, min.	0.5 mm <sup>2</sup>	Clamping range, max.	1.5 mm <sup>2</sup>
Blade size	0.4 x 2.5 mm		

Creation date January 6, 2023 3:14:36 PM CET

Catalogue status 16.12.2022 / We reserve the right to make technical changes.

2

**RCMKITZ 24VDC 4CO LED**

**Weidmüller Interface GmbH & Co. KG**  
 Klingenbergstraße 26  
 D-32758 Detmold  
 Germany

[www.weidmueller.com](http://www.weidmueller.com)

**Technical data****Classifications**

ETIM 6.0	EC001437	ETIM 7.0	EC001437
ETIM 8.0	EC001437	ECLASS 9.0	27-37-16-01
ECLASS 9.1	27-37-16-01	ECLASS 10.0	27-37-16-01
ECLASS 11.0	27-37-16-01	ECLASS 12.0	27-37-16-01

**Environmental Product Compliance**

REACH SVHC Lead 7439-92-1

**Approvals**

Approvals



ROHS Conform

**Downloads**

Approval/Certificate/Document of Conformity	<a href="#">EU Konformitätserklärung / EU Declaration of Conformity</a>
Engineering Data	<a href="#">CAD data – STEP</a>
Engineering Data	<a href="#">WSCAD</a>
Catalogues	<a href="#">Catalogues in PDF-format</a>

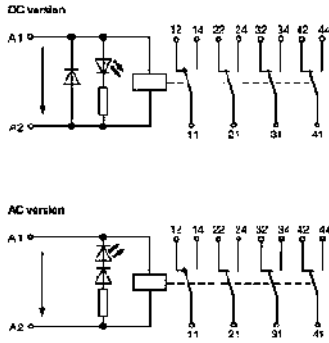
**RCMKITZ 24VDC 4CO LED**

**Weidmüller Interface GmbH & Co. KG**  
 Klingenbergstraße 26  
 D-32758 Detmold  
 Germany

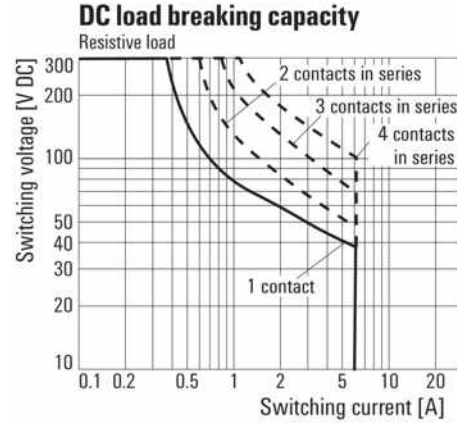
www.weidmueller.com

**Drawings**

**Wiring diagram**

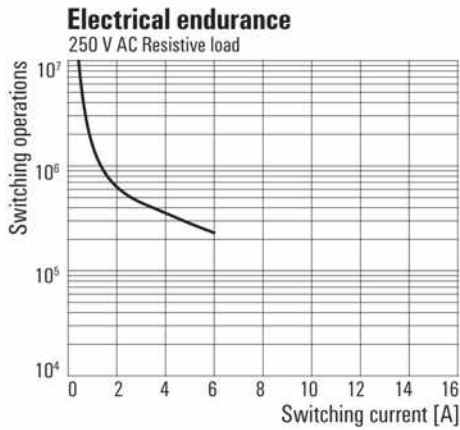


**Graph**



DC load limit curve  
Resistive load

**Graph**



Electrical service life  
250 V AC resistive load

**RCMKITZ 24VDC 4CO LED**

**Weidmüller Interface GmbH & Co. KG**  
 Klingenbergstraße 26  
 D-32758 Detmold  
 Germany  
 www.weidmueller.com

**Drawings**

