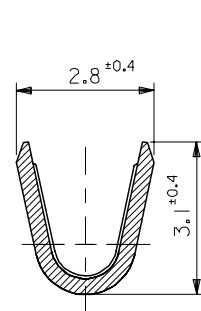
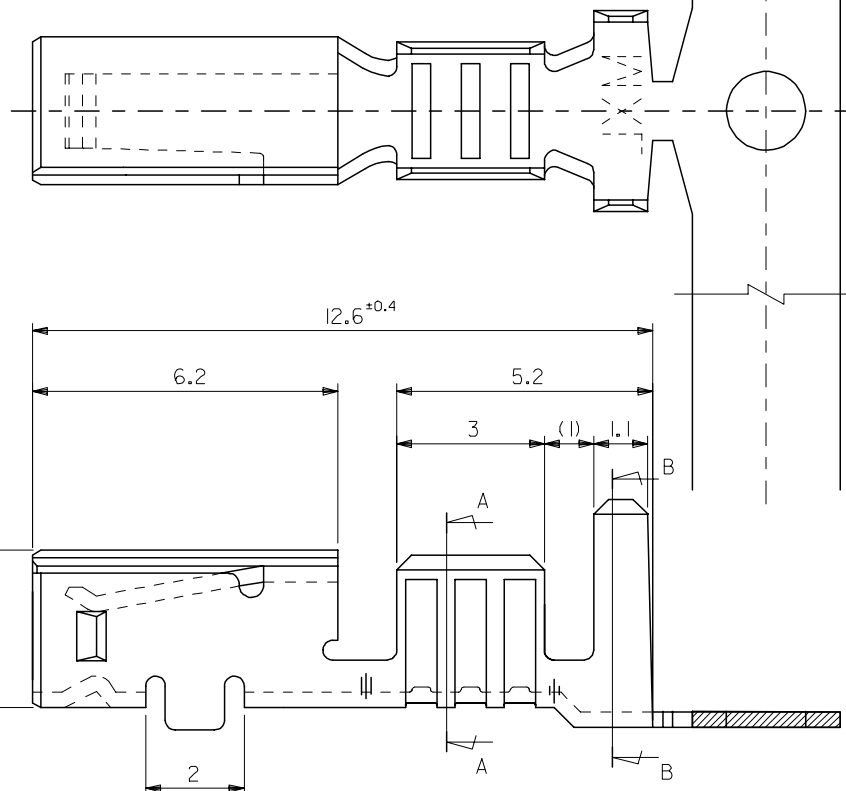
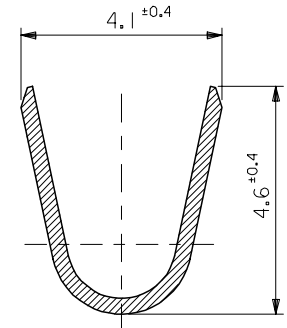


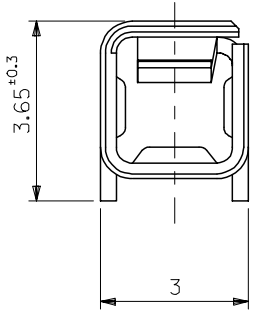
| | |
|----------------------|----------------------|
| PART NUMBER CHAIN | PART NUMBER LOOSE |
| 87943-1101 | 87943-1001 |



SECT. A-A



SECT. B-B



- NOTES:
1. MATERIAL : TIN PLATED HIGH CONDUCTIVE COPPER ALLOY WITH THICKNESS 0.32mm.
 2. APPLICABLE HOUSING: 87943-7001.
 3. APPLICABLE WIRE: 16 AWG.
 4. APPLICABLE INSULATION RANGE: 1.87mm TO 2.45mm
 5. CRIMP SPECIFICATION: CS-50535

| | |
|-------------------|-------------|
| ADD TEXTS | DESCRIPTION |
| EC NO: S2006-0818 | |
| DRWN:KELIM | |
| CHKD:NRVITPALLI | |
| APPR:PTLIM | |
| REV | |
| A1 | |

| | |
|-----------------|-------------|
| QUALITY SYMBOLS | DESCRIPTION |
| ▽=0 | |
| ▽C=0 | |

| | | |
|--|--------|-------|
| GENERAL TOLERANCES (UNLESS SPECIFIED) | mm | INCH |
| 4 PLACES | ± --- | ± --- |
| 3 PLACES | ± --- | ± --- |
| 2 PLACES | ± --- | ± --- |
| 1 PLACE | ± 0.25 | ± --- |
| ANGULAR ± 3 ° | | |
| DRAFT WHERE APPLICABLE MUST REMAIN WITHIN DIMENSIONS | | |

| | | |
|--------------|--|--------------|
| DRAWN BY | | DATE |
| NRVITPALLI | | 2005/05/11 |
| CHECKED BY | | DATE |
| PTLIM | | 2005/05/13 |
| APPROVED BY | | DATE |
| SCLOW | | 2005/05/13 |
| MATERIAL NO. | | DOCUMENT NO. |
| SEE TABLE | | SD-87943-011 |

| | | |
|---|--------------|------------------------|
| SCALE | DESIGN UNITS | THIRD ANGLE PROJECTION |
| NTS | METRIC | |
| TITLE | | |
| CRIMP TERMINAL 2.5/3.5 W-T-B RECEPTACLE | | |
| MOLEX INCORPORATED | | |
| SHEET NO. | | 1 OF 1 |