

10 9 8 7 6 5 4 3 2 1

F

E

D

C

B

A

F

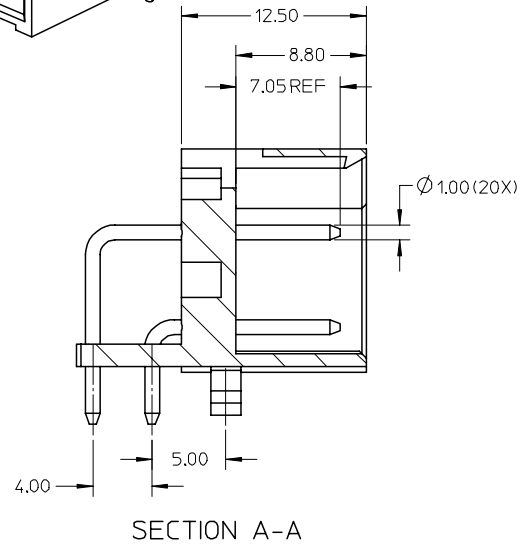
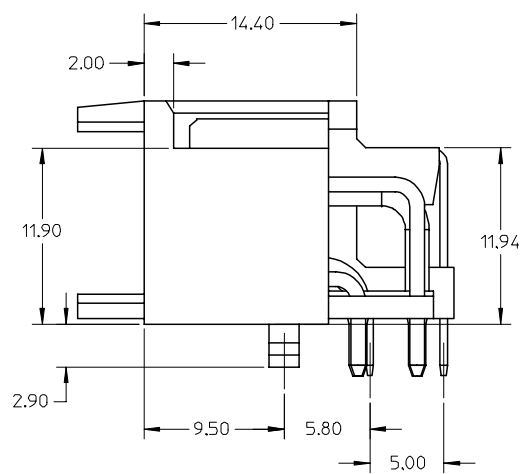
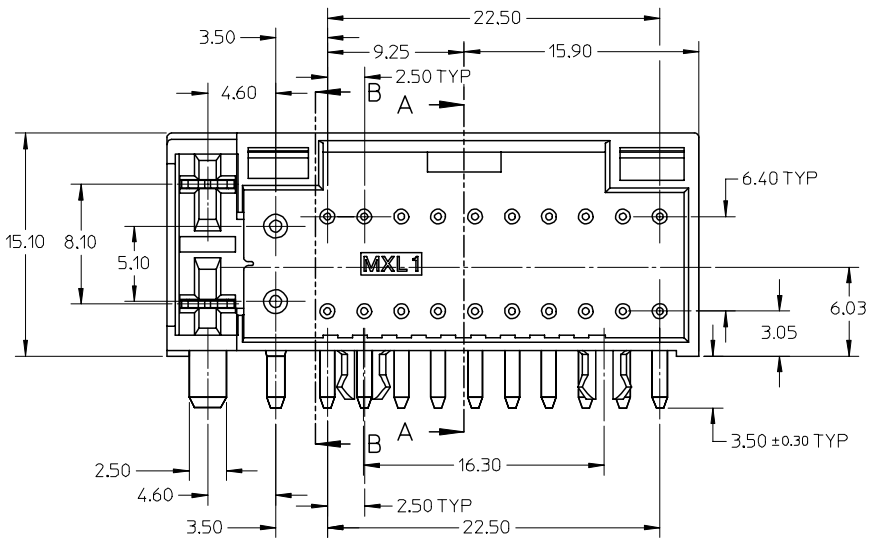
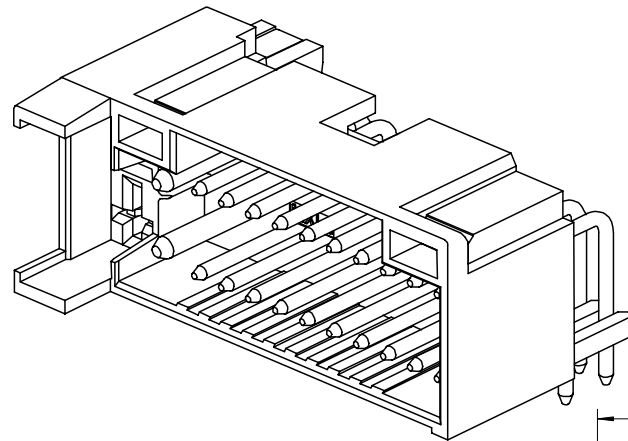
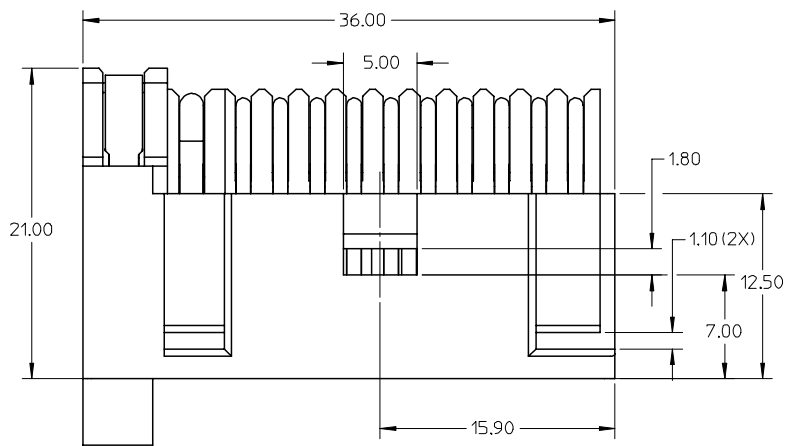
E

D

C

B

A



REVISED EC NO: S2006-0818 DRWN:KELIM 2006/05/09 CHKD:NRVITTA PALLI 2006/05/09 APPR:PTLIM 2006/05/10 A2	QUALITY SYMBOLS ▽=0 ▽=0	GENERAL TOLERANCES (UNLESS SPECIFIED)		DIMENSION STYLE MM ONLY		SCALE NTS	DESIGN UNITS METRIC	THIRD ANGLE PROJECTION			
		4 PLACES ± --- ± ---	3 PLACES ± --- ± ---	2 PLACES ± 0.20 ± ---	1 PLACE ± --- ± ---	ANGULAR ± 3 °	DRAWN BY NRVITTA PALLI 2004/12/21	DATE 2005/05/13	TITLE 2.5/3.5 W-T-B HEADER WITH SINGLE FUSE SOCKET		
		DRAFT WHERE APPLICABLE MUST REMAIN WITHIN DIMENSIONS					CHECKED BY PTLIM 2005/05/13	DATE 2005/05/13	MOLEX INCORPORATED		
		SEE TABLE					APPROVED BY SCLOW 2005/05/13	DATE 2005/05/13	MATERIAL NO. SD-87942-001	DOCUMENT NO. SD-87942-001	SHEET NO. 1 OF 2

9

8

7

6

5

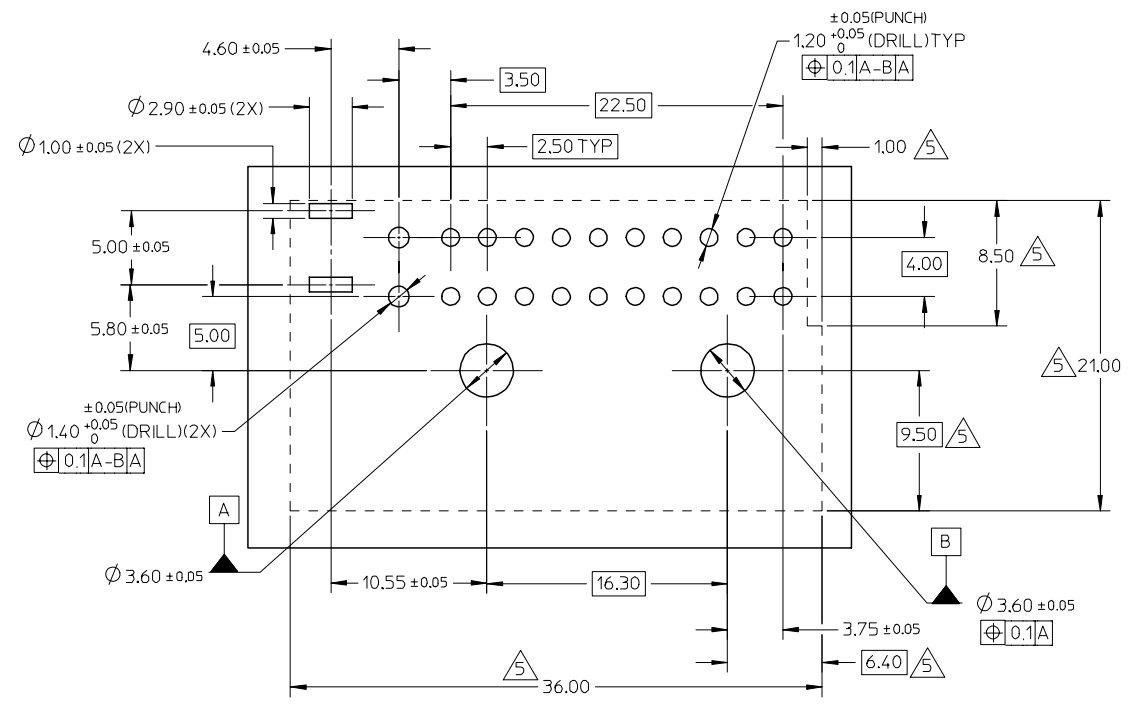
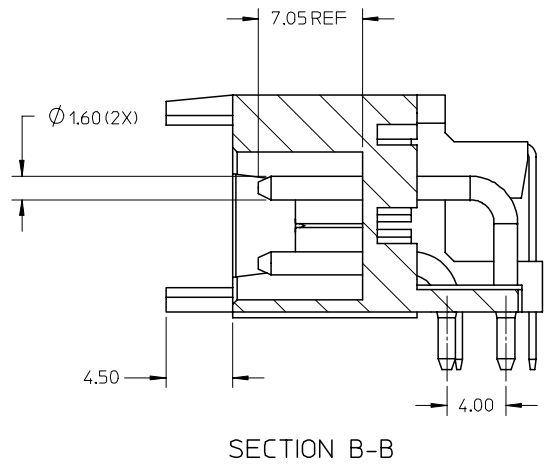
4

3

2

1

10	9	8	7	6	5	4	3	2	1
PART NUMBER	SIGNAL PIN QTY	POWER PIN QTY	FUSE TERMINAL	PLATING	PACKAGING				
87942-7001	20	2	2	TIN	BAG				



PCB LAYOUT : COMPONENT SIDE  
RECOMENDED PCB THICKNESS - 1.20 TO 1.60

- NOTES:
- MATERIALS:  
HOUSING: NYLON(PA66). UL94-V2  
COLOR: BLACK  
SIGNAL PINS - COPPER ALLOY  
POWER PINS - COPPER ALLOY  
FUSE TERMINAL -COPPER ALLOY
  - FINISH: OVERALL TIN
  - PRODUCT SPECIFICATION:PS-87942-006
  - MATES WITH 87943.
  - COMPONENT KEEP OUT ZONE.

ADD TEXT EC NO: S2006-0818 DRWN:KELIM CHKD:NRVITTA PALLI APPR:PTLIM	DESCRIPTION REV	QUALITY SYMBOLS	GENERAL TOLERANCES (UNLESS SPECIFIED)	DIMENSION STYLE	SCALE	DESIGN UNITS	THIRD ANGLE PROJECTION	
		▽=0 ▽C=0	mm INCH	MM ONLY	NTS	METRIC		
			4 PLACES ± --- ± --- 3 PLACES ± --- ± --- 2 PLACES ± 0.20 ± --- 1 PLACE ± --- ± ---	DRAWN BY DATE NRVITTA PALLI 2004/12/21	TITLE	2.5/3.5 W-T-B HEADER WITH SINGLE FUSE SOCKET		
			ANGULAR ± 3 °	CHECKED BY DATE PTLIM 2005/05/13	MOLEX INCORPORATED			
		DRAFT WHERE APPLICABLE MUST REMAIN WITHIN DIMENSIONS	APPROVED BY DATE SCLOW 2005/05/13	MATERIAL NO.	DOCUMENT NO.	SHEET NO.		
A2			SIZE A3	SEE TABLE	SD-87942-001	2 OF 2		