

**PLEASE CHECK WWW.MOLEX.COM FOR LATEST PART INFORMATION**

**Part Number:** [0879209115](#)  
**Status:** **Active**  
**Overview:** C-Grid Connector Products  
**Description:** 2.54mm Pitch C-Grid Header, Surface Mount, Dual Row, Vertical, 14 Circuits, 0.38µm Gold (Au) Plating, with Pick-and-Place Cap, without Peg, Tape on Reel Packaging, Lead-Free

**Documents:**

<a href="#">3D Model</a>	<a href="#">Application Specification 713080001-AS-000 (PDF)</a>
<a href="#">3D Model (PDF)</a>	<a href="#">Packaging Specification PK-89990-479-001 (PDF)</a>
<a href="#">Drawing (PDF)</a>	<a href="#">RoHS Certificate of Compliance (PDF)</a>
<a href="#">Product Specification PS-87920-019-001 (PDF)</a>	

**Agency Certification**

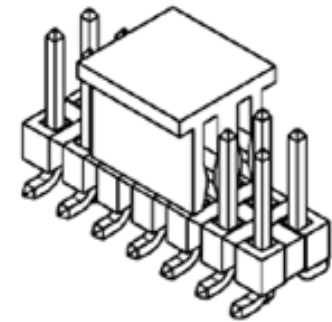
UL E29179

**General**

Product Family	PCB Headers
Series	<a href="#">87920</a>
Application	Board-to-Board, Signal, Wire-to-Board
Overview	<a href="#">C-Grid Connector Products</a>
Product Name	C-Grid
UPC	883906437107

**Physical**

Breakaway	Yes
Circuits (Loaded)	14
Circuits (maximum)	14
Color - Resin	Black
First Mate / Last Break	No
Flammability	94V-0
Glow-Wire Capable	No
Guide to Mating Part	No
Keying to Mating Part	None
Lock to Mating Part	None
Mated Height	6.10mm
Material - Metal	Copper Alloy
Material - Plating Mating	Gold
Material - Plating Termination	Tin
Material - Resin	High Temperature Thermoplastic
Net Weight	0.712/g
Number of Rows	2
Orientation	Vertical
PCB Locator	No
PCB Retention	None
PCB Thickness - Recommended	1.60mm
Packaging Type	Embossed Tape on Reel
Pitch - Mating Interface	2.54mm
Pitch - Termination Interface	2.54mm
Plating min - Mating	0.381µm
Plating min - Termination	2.032µm
Polarized to Mating Part	No
Polarized to PCB	No
Robotic Placement	Pick and Place Cap
Shrouded	No
Stackable	No
Temperature Range - Operating	-55° to +105°C



*Series image - Reference only*

**EU ELV**

**Not Relevant**

**EU RoHS**

**Compliant**

**REACH SVHC**

Not Contained Per -  
D(2020)4578-DC (25  
June 2020)

**Halogen-Free**

**Status**

**Low-Halogen**

For more information, please visit [Contact US](#)

China ROHS

ELV

RoHS Phthalates

**China RoHS**

Green Image

Not Relevant

Not Contained

**Search Parts in this Series**

[87920](#) Series

**Mates With**

[7859](#) Shunts, [71850](#) C-Grid PCB Receptacles, [70450](#) SL IDT Housing

Termination Interface: Style Surface Mount

**Electrical**

Current - Maximum per Contact 3.0A  
Voltage - Maximum 250V

**Solder Process Data**

Duration at Max. Process Temperature (seconds) 010  
Lead-free Process Capability REFLOW  
Max. Cycles at Max. Process Temperature 003  
Process Temperature max. C 260

**Material Info**

**Reference - Drawing Numbers**

Application Specification 713080001-AS-000  
Packaging Specification PK-89990-479-001  
Product Specification PS-87920-019-001  
Sales Drawing SD-87920-020-001

This document was generated on 10/21/2020

**PLEASE CHECK [WWW.MOLEX.COM](http://WWW.MOLEX.COM) FOR LATEST PART INFORMATION**