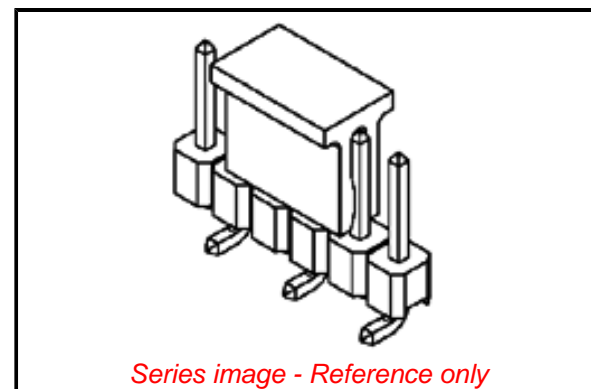


**PLEASE CHECK WWW.MOLEX.COM FOR LATEST PART INFORMATION**

**Part Number:** [0878980568](#)  
**Status:** **Active**  
**Overview:** C-Grid Connector Products  
**Description:** C-Grid / SL Header, Surface Mount, Breakaway, Vertical, 5 Circuits, 2.54µm Tin (Sn) Plating, Tape on Reel Packaging, with Cap, Lead-Free

**Documents:**

<a href="#">3D Model</a>	<a href="#">Application Specification 713080001-AS-000 (PDF)</a>
<a href="#">3D Model (PDF)</a>	<a href="#">Packaging Specification PK-89990-489-001 (PDF)</a>
<a href="#">Drawing (PDF)</a>	<a href="#">Test Summary 879200000-TS-000 (PDF)</a>
<a href="#">Product Specification PS-87920-019-001 (PDF)</a>	<a href="#">RoHS Certificate of Compliance (PDF)</a>



**Agency Certification**

UL E29179

**General**

Product Family	PCB Headers
Series	<a href="#">87898</a>
Application	Board-to-Board, Signal, Wire-to-Board
Overview	<a href="#">C-Grid Connector Products</a>
Product Name	C-Grid, SL
UPC	883906495374

**Physical**

Breakaway	Yes
Circuits (Loaded)	5
Circuits (maximum)	5
Color - Resin	Black
First Mate / Last Break	No
Flammability	94V-0
Glow-Wire Capable	No
Guide to Mating Part	No
Keying to Mating Part	None
Lock to Mating Part	None
Material - Metal	Copper Alloy
Material - Plating Mating	Tin
Material - Plating Termination	Tin
Material - Resin	Nylon
Net Weight	0.357/g
Number of Rows	1
Orientation	Vertical
PCB Locator	No
PCB Retention	None
Packaging Type	Embossed Tape on Reel
Pitch - Mating Interface	2.54mm
Pitch - Termination Interface	2.54mm
Polarized to Mating Part	No
Polarized to PCB	No
Robotic Placement	Pick and Place Cap
Shrouded	No
Stackable	No
Temperature Range - Operating	-55° to +105°C
Termination Interface: Style	Surface Mount

**Electrical**

Current - Maximum per Contact	3.0A
Voltage - Maximum	250V

**EU ELV**

**Not Relevant**

**EU RoHS**

**Compliant**

**REACH SVHC**

Contained Per -  
D(2020)4578-DC (25  
June 2020)  
perfluorooctanoic acid  
decamethylcyclotrasiloxane  
disodium 3,3'-[[1,1'-  
biphenyl]-4,4'-  
diylbis(azo)  
diisopentylphthalate  
1,2-diethoxyethane  
dibutyltin dichloride  
1,3-propanesultone  
ammoniumpentadecafluorooctanoate  
2-ethylhexyl 10-  
ethyl-4,4-dioctyl-7-  
oxo-8-oxa-3,  
2-(2H-benzotriazol-2-  
yl)-4,6-  
ditertpentylphenol  
2-(2H-benzotriazol-2-  
yl)-4-(tert-butyl)-6-  
(sec-b  
1,2-  
Benzenedicarboxylic  
acid, dihexyl ester,  
bra  
diisohexyl phthalate  
1,2-  
benzenedicarboxylic  
acid, dipentylester,  
bra  
n-pentyl-  
isopentylphthalate  
Boric acid  
Nonadecafluorodecanoic  
acid (PFDA) and its  
sodiu

**China RoHS**

**Solder Process Data**

Duration at Max. Process Temperature (seconds)	010
Lead-free Process Capability	REFLOW
Max. Cycles at Max. Process Temperature	003
Process Temperature max. C	260

**Material Info****Reference - Drawing Numbers**

Application Specification	713080001-AS-000
Packaging Specification	PK-89990-489-001
Product Specification	PS-87920-019-001
Sales Drawing	RSD-87898-1067, SD-87898-003-001
Test Summary	879200000-TS-000

Tris(4-nonylphenyl, branched and linear) phosphi  
Perfluorobutane sulfonic acid (PFBS) and its sal  
Pyrene  
Dodecachloropentacyclo[12.2.1.16,9.02,13.05,10]o  
Perfluorononan-1-oic acid  
(2,2,3,3,4,4,5,5,6,6,7  
Methylhexahydrophthalic anhydride  
reaction mass of 2-ethylhexyl 10-ethyl-4,4-dioct  
Perfluorohexane-1-sulphonic acid and its salts  
Lead sulfochromate yellow  
strontium chromate bis(2-methoxyethyl) ether  
pentazinc chromate octahydroxide  
1,2-dimethoxyethane  
1,2-bis(2-methoxyethoxy)ethane  
bis(pentabromophenyl) ether  
cadmium oxide (non-pyrophoric)  
cadmium sulphide  
orange lead  
lead  
cadmium  
lead dinitrate  
lead oxide sulfate  
pentalead tetraoxide sulphate  
dioxobis(stearato)trilead  
Lead titanium  
zirconium oxide  
lead cyanamidate  
Sulfurous acid, lead salt, dibasic  
[phthalato(2-)]dioxotrilead  
benzo[a]pyrene  
4-aminoazobenzene  
dihexyl phthalate (DnHP)  
ethylene thiourea  
di-n-pentyl phthalate (DPP)

**Halogen-Free Status****Not Low-Halogen**For more information, please visit [Contact US](#)

China ROHS	Green Image
ELV	Not Relevant
RoHS Phthalates	Not Contained

**Search Parts in this Series**

87898 Series

**Mates With**

4455 KK PCB Receptacles, 70430 SL IDT Housings, 7720 KK IDT Housings, 70400 KK IDT Housings, 90147 , 90148 C-Grid PCB Receptacles

This document was generated on 10/14/2020

**PLEASE CHECK [WWW.MOLEX.COM](http://WWW.MOLEX.COM) FOR LATEST PART INFORMATION**