

**PLEASE CHECK WWW.MOLEX.COM FOR LATEST PART INFORMATION**

**Part Number:** [87863-0015](#)  
**Status:** **Active**  
**Description:** 1.27mm Signal Pitch, 0.80mm SCSI Pitch, 1.27mm Power Pitch SAS Receptacle, Vertical, Press fit, 2.70mm Tail Length, 29 Circuits, Lead-Free

**Documents:**

[3D Model](#) [Product Specification PS-87863-060 \(PDF\)](#)  
[Drawing \(PDF\)](#) [RoHS Certificate of Compliance \(PDF\)](#)

**Agency Certification**

CSA LR19980  
 UL E29179

**General**

Product Family I/O Connectors  
 Series [87863](#)  
 Application Board-to-Board  
 Comments No pick and place cap  
 Component Type Receptacle  
 Product Name SAS  
 Type N/A  
 UPC 822348828012

**Physical**

Boot Color N/A  
 Circuits (Loaded) 29  
 Circuits (maximum) 29  
 Circuits Detail Signal 7, SCSI 7, Power 15  
 Color - Resin Black  
 Durability (mating cycles max) 500  
 Flammability 94V-0  
 Gender Female  
 Keying to Mating Part Yes  
 Lock to Mating Part None  
 Material - Metal Phosphor Bronze  
 Material - Plating Mating Gold  
 Material - Plating Termination Tin  
 Material - Resin High Temperature Thermoplastic  
 Net Weight 1.589/g  
 Number of Rows 2  
 Orientation Vertical  
 PC Tail Length 2.20mm, 2.70mm  
 PCB Locator Yes  
 PCB Retention Yes  
 PCB Thickness - Recommended 2.29mm, 3.18mm  
 Packaging Type Tray  
 Panel Mount Yes  
 Pitch - Mating Interface 0.80mm, 1.27mm  
 Pitch - Termination Interface 0.80mm, 1.27mm  
 Plating min - Mating 0.762µm  
 Plating min - Termination 2.540µm  
 Polarized to Mating Part Yes  
 Polarized to PCB Yes  
 Surface Mount Compatible (SMC) Yes  
 Temperature Range - Operating 0°C to +55°C  
 Termination Interface: Style Through Hole - Compliant Pin

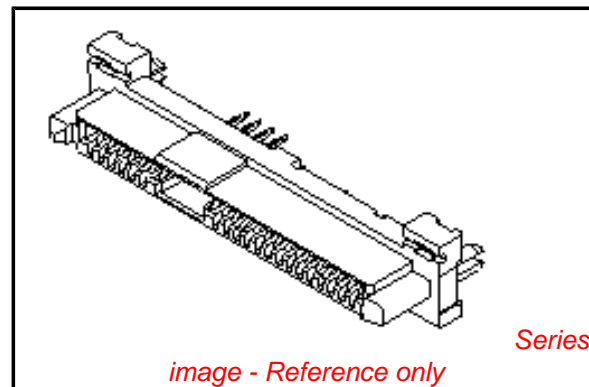


image - Reference only

**EU RoHS**

**ELV and RoHS Compliant**  
**REACH SVHC Contains SVHC: No**  
**Low-Halogen Status Low-Halogen**

**China RoHS**



**Need more information on product environmental compliance?**

Email [productcompliance@molex.com](mailto:productcompliance@molex.com)  
 For a multiple part number RoHS Certificate of Compliance, [click here](#)

Please visit the [Contact Us](#) section for any non-product compliance questions.

**Search Parts in this Series**

[87863Series](#)

**Mates With**

[87679](#) , [87799](#) , [87703](#) , SFF 8482 Hard Disk Drive and Backplane Plug

Waterproof / Dustproof	No
Wire Size AWG	N/A

**Electrical**

Current - Maximum per Contact	1.5A
Shielded	No
Voltage - Maximum	30V

**Material Info****Reference - Drawing Numbers**

Electrical Model Document	EE-87863-001, EE-87863-002, EE-87863-003, EE-87863-004, EE-87863-005, EE-87863-006, EE-87863-007, EE-87863-008
Product Specification	PS-87863-060
Sales Drawing	SD-87863-059

This document was generated on 11/27/2012

**PLEASE CHECK [WWW.MOLEX.COM](http://WWW.MOLEX.COM) FOR LATEST PART INFORMATION**