

**PLEASE CHECK WWW.MOLEX.COM FOR LATEST PART INFORMATION**

**Part Number:** [0878303021](#)  
**Status:** **Active**  
**Overview:** Milli-Grid Connector System  
**Description:** 2.00mm Pitch Milli-Grid Straddle Mount Header, 30 Circuits, 0.38µm Gold (Au) Selective Plating, Lead-Free

**Documents:**

[Drawing \(PDF\)](#) [RoHS Certificate of Compliance \(PDF\)](#)  
[Application Specification 503940001-AS-000 \(PDF\)](#)

**General**

Product Family	PCB Headers
Series	<a href="#">87830</a>
Application	Board-to-Board, Signal
Overview	<u>Milli-Grid Connector System</u>
Product Name	Milli-Grid
UPC	822348377930

**Physical**

Breakaway	Yes
Circuits (Loaded)	30
Circuits (maximum)	30
First Mate / Last Break	No
Glow-Wire Capable	No
Guide to Mating Part	No
Keying to Mating Part	None
Lock to Mating Part	None
Material - Plating Mating	Gold
Material - Plating Termination	Tin
Net Weight	0.714/g
Number of Rows	2
Orientation	Vertical
PCB Locator	No
PCB Retention	None
PCB Thickness - Recommended	1.07mm
Packaging Type	Tray
Pitch - Mating Interface	2.00mm
Pitch - Termination Interface	2.00mm
Plating min - Mating	0.381µm
Plating min - Termination	1.905µm
Polarized to Mating Part	No
Polarized to PCB	No
Shrouded	No
Stackable	No
Temperature Range - Operating	-55° to +105°C
Termination Interface: Style	Straddle Mount

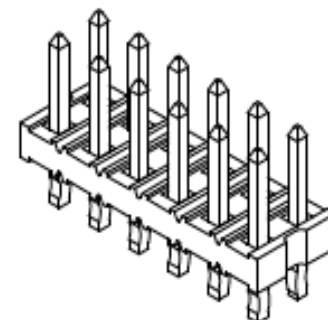
**Electrical**

Current - Maximum per Contact	2.0A
Voltage - Maximum	125V

**Material Info**

**Reference - Drawing Numbers**

Application Specification	503940001-AS-000
Sales Drawing	SD-87830-003



*Series image - Reference only*

**EU ELV**

**Not Relevant**

**EU RoHS**

**Compliant**

**REACH SVHC**

Not Contained Per -  
ED/71/2019 (16 July  
2019)

**Halogen-Free**

**Status**

**Not Low-Halogen**

For more information, please visit [Contact US](#)

China ROHS

ELV

RoHS Phthalates

**China RoHS**

Green Image

Not Relevant

Not Contained

**Search Parts in this Series**

[87830 Series](#)

**Mates With**

[79107](#) Board-to-Board Top Entry Through Hole Receptacle, [79108](#) Board-to-Board FFC/FPC Top Entry Through Hole Receptacle, [79109](#) Board-to-Board Top/Bottom Entry SMT Receptacle, [87381](#) Board-to-Board Top Entry SMT Receptacle

This document was generated on 05/22/2020

**PLEASE CHECK [WWW.MOLEX.COM](http://WWW.MOLEX.COM) FOR LATEST PART INFORMATION**