

PLEASE CHECK WWW.MOLEX.COM FOR LATEST PART INFORMATION

Part Number: [87824-0015](#)
Status: **Active**
Description: 1.27mm Signal Pitch, 0.80mm SCSI Pitch, 1.27mm Power Pitch SAS Receptacle, Vertical, Surface Mount, with Surface Mount Solder Tab, 2.54mm PCB Thickness, 29 Circuits, with Cap, Embossed Tape on Reel, Lead-Free

Documents:

[3D Model](#) [Product Specification PS-87824-029 \(PDF\)](#)
[Drawing \(PDF\)](#) [RoHS Certificate of Compliance \(PDF\)](#)

Agency Certification

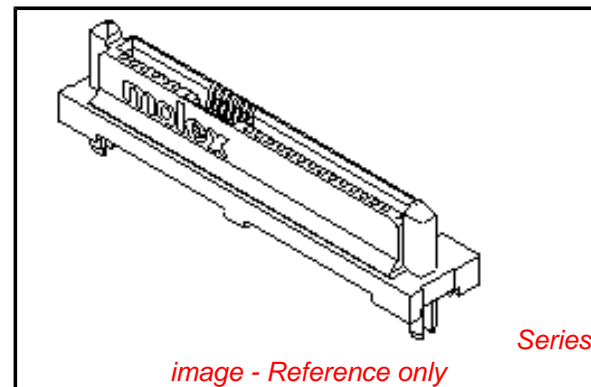
CSA LR19980
 UL E29179

General

Product Family I/O Connectors
 Series [87824](#)
 Application Board-to-Board
 Comments With Pick-and-Place Cap
 Component Type Receptacle
 Product Name SAS
 Type N/A
 UPC 800756687339

Physical

Boot Color N/A
 Circuits (Loaded) 29
 Circuits (maximum) 29
 Circuits Detail Signal 7, SCSI 7, Power 15
 Color - Resin Black
 Durability (mating cycles max) 500
 Flammability 94V-0
 Gender Female
 Keying to Mating Part Yes
 Lock to Mating Part None
 Material - Metal Brass, Phosphor Bronze
 Material - Plating Mating Gold
 Material - Plating Termination Tin
 Net Weight 2.358/g
 Number of Rows 2
 Orientation Vertical
 PCB Locator Yes
 PCB Retention Yes
 PCB Thickness - Recommended 2.54mm
 Packaging Type Embossed Tape on Reel
 Panel Mount Yes
 Pitch - Mating Interface 0.80mm, 1.27mm
 Pitch - Termination Interface 0.80mm, 1.27mm
 Plating min - Mating 0.762µm
 Plating min - Termination 2.540µm
 Polarized to Mating Part Yes
 Polarized to PCB Yes
 Surface Mount Compatible (SMC) N/A
 Temperature Range - Operating 0°C to +55°C
 Termination Interface: Style Surface Mount
 Waterproof / Dustproof No



EU RoHS

**ELV and RoHS
Compliant**

REACH SVHC

Not Reviewed

Low-Halogen Status

Not Low-Halogen

China RoHS



**Need more information on product
environmental compliance?**

Email productcompliance@molex.com
 For a multiple part number RoHS Certificate of Compliance, [click here](#)

Please visit the [Contact Us](#) section for any non-product compliance questions.

Search Parts in this Series

[87824Series](#)

Mates With

SFF-8482 Hard Disk Drive and Backplane Plug. [87679](#) Serial ATA Device Plug with Latch. [87703](#) Serial ATA Device Plug without Jumper. [87799](#) Serial ATA Device Plug with Jumper

Wire Size AWG N/A

Electrical

Current - Maximum per Contact 1.5A

Shielded No

Voltage - Maximum 30V

Solder Process Data

Duration at Max. Process Temperature (seconds) 10

Lead-free Process Capability Reflow Capable (SMT only)

Max. Cycles at Max. Process Temperature 1

Process Temperature max. C 260

Material Info

Reference - Drawing Numbers

Electrical Model Document EE-78012-002, EE-78164-001, EE-78459-001,
EE-78459-002, EE-78695-001, EE-78695-002,
EE-87824-002

Product Specification PS-87824-029

S-Parameter Model SP-78012-002, SP-78164-001

Sales Drawing SD-87824-031

This document was generated on 01/21/2013

PLEASE CHECK WWW.MOLEX.COM FOR LATEST PART INFORMATION