

**PLEASE CHECK WWW.MOLEX.COM FOR LATEST PART INFORMATION**

**Part Number:** [87824-0010](#)  
**Status:** **Active**  
**Description:** 1.27mm Signal Pitch, 0.80mm SCSI Pitch, 1.27mm Power Pitch SAS Receptacle, Vertical, Surface Mount, with Surface Mount Solder Tab, 4.60mm PCB Thickness, 29 Circuits, with Cap, Embossed Tape on Reel, Lead-Free

**Documents:**

[3D Model](#) [Product Specification PS-87824-029 \(PDF\)](#)  
[Drawing \(PDF\)](#) [RoHS Certificate of Compliance \(PDF\)](#)

**Agency Certification**

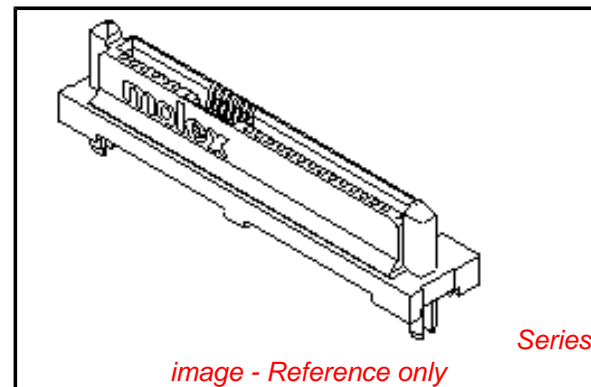
CSA LR19980  
 UL E29179

**General**

Product Family I/O Connectors  
 Series [87824](#)  
 Application Board-to-Board  
 Comments With Pick-and-Place Cap  
 Component Type Receptacle  
 Product Name SAS  
 Type N/A  
 UPC 822350717625

**Physical**

Boot Color N/A  
 Circuits (Loaded) 29  
 Circuits (maximum) 29  
 Circuits Detail Signal 7, SCSI 7, Power 15  
 Color - Resin Black  
 Durability (mating cycles max) 500  
 Flammability 94V-0  
 Gender Female  
 Keying to Mating Part Yes  
 Lock to Mating Part None  
 Material - Metal Brass, Phosphor Bronze  
 Material - Plating Mating Gold  
 Material - Plating Termination Tin  
 Net Weight 2.262/g  
 Number of Rows 2  
 Orientation Vertical  
 PCB Locator Yes  
 PCB Retention Yes  
 PCB Thickness - Recommended 4.60mm  
 Packaging Type Embossed Tape on Reel  
 Panel Mount Yes  
 Pitch - Mating Interface 0.80mm, 1.27mm  
 Pitch - Termination Interface 0.80mm, 1.27mm  
 Plating min - Mating 0.762µm  
 Plating min - Termination 2.540µm  
 Polarized to Mating Part Yes  
 Polarized to PCB Yes  
 Surface Mount Compatible (SMC) N/A  
 Temperature Range - Operating 0°C to +55°C  
 Termination Interface: Style Surface Mount  
 Waterproof / Dustproof No



**EU RoHS**

**ELV and RoHS  
Compliant**

**REACH SVHC**

Not Reviewed

**Low-Halogen Status**

**Not Low-Halogen**

**China RoHS**



**Need more information on product  
environmental compliance?**

Email [productcompliance@molex.com](mailto:productcompliance@molex.com)  
 For a multiple part number RoHS Certificate of Compliance, [click here](#)

Please visit the [Contact Us](#) section for any non-product compliance questions.

**Search Parts in this Series**

[87824Series](#)

**Mates With**

SFF-8482 Hard Disk Drive and Backplane Plug. [87679](#) Serial ATA Device Plug with Latch. [87703](#) Serial ATA Device Plug without Jumper. [87799](#) Serial ATA Device Plug with Jumper

Wire Size AWG N/A

### **Electrical**

Current - Maximum per Contact 1.5A

Shielded No

Voltage - Maximum 30V

### **Solder Process Data**

Duration at Max. Process Temperature (seconds) 10

Lead-free Process Capability Reflow Capable (SMT only)

Max. Cycles at Max. Process Temperature 1

Process Temperature max. C 260

### **Material Info**

#### **Reference - Drawing Numbers**

Electrical Model Document EE-78012-002, EE-78164-001, EE-78459-001,  
EE-78459-002, EE-78695-001, EE-78695-002,  
EE-87824-002

Product Specification PS-87824-029

S-Parameter Model SP-78012-002, SP-78164-001

Sales Drawing SD-87824-031

This document was generated on 01/21/2013

**PLEASE CHECK [WWW.MOLEX.COM](http://WWW.MOLEX.COM) FOR LATEST PART INFORMATION**