

**PLEASE CHECK WWW.MOLEX.COM FOR LATEST PART INFORMATION**

**Part Number:** [87824-0007](#)  
**Status:** **Active**  
**Description:** 1.27mm Signal Pitch, 0.80mm SCSI Pitch, 1.27mm Power Pitch SAS Receptacle, Vertical, Surface Mount, with Straight Solder Tab, 1.60mm PCB Thickness, 29 Circuits, with Cap, Embossed Tape on Reel, Lead-Free

**Documents:**

[3D Model](#) [Product Specification PS-87824-029 \(PDF\)](#)  
[Drawing \(PDF\)](#) [RoHS Certificate of Compliance \(PDF\)](#)

**Agency Certification**

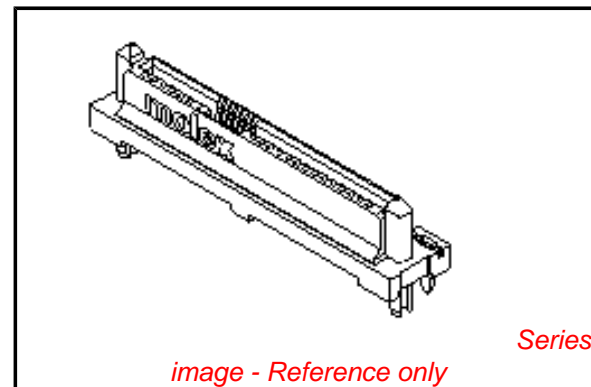
CSA LR19980  
 UL E29179

**General**

Product Family I/O Connectors  
 Series [87824](#)  
 Application Board-to-Board  
 Comments With Pick-and-Place Cap  
 Component Type Receptacle  
 Product Name SAS  
 Type N/A  
 UPC 822350717281

**Physical**

Boot Color N/A  
 Circuits (Loaded) 29  
 Circuits (maximum) 29  
 Circuits Detail Signal 7, SCSI 7, Power 15  
 Color - Resin Black  
 Durability (mating cycles max) 500  
 Flammability 94V-0  
 Gender Female  
 Keying to Mating Part Yes  
 Lock to Mating Part None  
 Material - Metal Copper Alloy  
 Material - Plating Mating Gold  
 Material - Plating Termination Tin  
 Material - Resin High Temperature Thermoplastic  
 Net Weight 2.183/g  
 Number of Rows 2  
 Orientation Vertical  
 PCB Locator Yes  
 PCB Retention Yes  
 PCB Thickness - Recommended 1.60mm  
 Packaging Type Embossed Tape on Reel  
 Panel Mount Yes  
 Pitch - Mating Interface 0.80mm, 1.27mm  
 Pitch - Termination Interface 0.80mm, 1.27mm  
 Plating min - Mating 0.762µm  
 Plating min - Termination 2.540µm  
 Polarized to Mating Part Yes  
 Polarized to PCB Yes  
 Surface Mount Compatible (SMC) N/A  
 Temperature Range - Operating 0°C to +55°C  
 Termination Interface: Style Surface Mount



**EU RoHS**

**ELV and RoHS Compliant**

**REACH SVHC**

Not Reviewed

**Low-Halogen Status**

**Not Low-Halogen**

**China RoHS**



**Need more information on product environmental compliance?**

Email [productcompliance@molex.com](mailto:productcompliance@molex.com)  
 For a multiple part number RoHS Certificate of Compliance, [click here](#)

Please visit the [Contact Us](#) section for any non-product compliance questions.

**Search Parts in this Series**

[87824Series](#)

**Mates With**

SFF-8482 Hard Disk Drive and Backplane Plug. [87679](#) Serial ATA Device Plug with Latch. [87703](#) Serial ATA Device Plug without Jumper. [87799](#) Serial ATA Device Plug with Jumper

Waterproof / Dustproof	No
Wire Size AWG	N/A

### **Electrical**

Current - Maximum per Contact	1.5A
Shielded	No
Voltage - Maximum	30V

### **Solder Process Data**

Duration at Max. Process Temperature (seconds)	10
Lead-free Process Capability	Reflow Capable (SMT only)
Max. Cycles at Max. Process Temperature	1
Process Temperature max. C	260

### **Material Info**

#### **Reference - Drawing Numbers**

Electrical Model Document	EE-78012-002, EE-78164-001, EE-78459-001, EE-78459-002, EE-78695-001, EE-78695-002, EE-87824-001, EE-87824-002
Product Specification	PS-87824-029
S-Parameter Model	SP-78012-002, SP-78164-001
Sales Drawing	SD-87824-027

This document was generated on 01/21/2013

**PLEASE CHECK [WWW.MOLEX.COM](http://WWW.MOLEX.COM) FOR LATEST PART INFORMATION**