

**PLEASE CHECK WWW.MOLEX.COM FOR LATEST PART INFORMATION**

**Part Number:** [87782-2009](#)  
**Status:** **Active**  
**Description:** 0.60mm Pitch miniDIMM DDR2 Socket, Vertical, SMT, 0.76µm Gold (Au) over Nickel, 1.8V, with Pick and Place Cover, 244 Circuits, Type D Tray, Lead-Free

**Documents:**

[3D Model](#) [Application Specification AS-87782-001 \(PDF\)](#)  
[Drawing \(PDF\)](#) [RoHS Certificate of Compliance \(PDF\)](#)  
[Product Specification PS-87782-027 \(PDF\)](#)

**Agency Certification**

CSA LR19980  
 UL E29179

**General**

Product Family Memory Module Sockets  
 Series [87782](#)  
 Comments <LI>Latches in Off-White Color<LI>With Cap  
 Component Type Socket  
 JEDEC Outline MO-244  
 Product Name MiniDIMM  
 UPC 800756930480

**Physical**

Circuits (Loaded) 244  
 Color - Resin Black  
 Durability (mating cycles max) 25  
 Entry Angle Vertical (Top Entry)  
 Flammability 94V-0  
 Keying to Mating Part Yes  
 Material - Metal Copper Alloy  
 Material - Plating Mating Gold  
 Material - Plating Termination Tin  
 Material - Resin High Temperature Thermoplastic  
 Net Weight 6.491/g  
 PCB Locator Yes  
 PCB Retention Yes  
 Packaging Type Tray  
 Pitch - Mating Interface 0.60mm  
 Pitch - Termination Interface 0.60mm  
 Plating min - Mating 0.762µm  
 Plating min - Termination 2.540µm  
 Temperature Range - Operating -55°C to +85°C  
 Termination Interface: Style Surface Mount

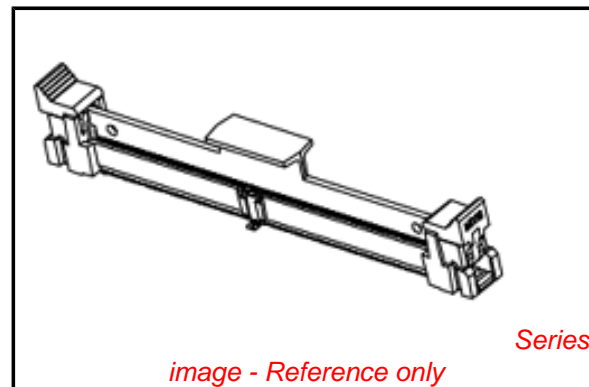
**Electrical**

Current - Maximum per Contact 1A  
 Voltage - Maximum 30V (RMS)  
 Voltage Key 1.8V

**Solder Process Data**

Duration at Max. Process Temperature (seconds) 5  
 Lead-free Process Capability SMC & Wave Capable (TH only)  
 Max. Cycles at Max. Process Temperature 2  
 Process Temperature max. C 260

**Material Info**



**EU RoHS**

**ELV and RoHS Compliant**

**REACH SVHC**

Not Reviewed

**Low-Halogen Status**

**Not Low-Halogen**

**China RoHS**



**Need more information on product environmental compliance?**

Email [productcompliance@molex.com](mailto:productcompliance@molex.com)  
 For a multiple part number RoHS Certificate of Compliance, [click here](#)

Please visit the [Contact Us](#) section for any non-product compliance questions.

**Search Parts in this Series**

[87782Series](#)

**Mates With**

JEDEC MO-244 Modules

## Reference - Drawing Numbers

Application Specification  
Electrical Model Document  
Product Specification  
S-Parameter Model  
Sales Drawing

AS-87782-001  
EE-87782-001, EE-87782-002, EE-87782-003  
PS-87782-027  
SP-87782-001  
SD-87782-001

This document was generated on 01/21/2013

**PLEASE CHECK [WWW.MOLEX.COM](http://WWW.MOLEX.COM) FOR LATEST PART INFORMATION**