

**PLEASE CHECK WWW.MOLEX.COM FOR LATEST PART INFORMATION**

**Part Number:** [0877791001](#)  
**Status:** **Active**  
**Overview:** [Serial ATA Connectors and Cable Assemblies](#)  
**Description:** 1.27mm Pitch Serial ATA Backplane Receptacle, Through Hole, Vertical, Standard Height, 0.76µm Gold (Au) Selective, 22 Circuits, Lead-Free

**Documents:**

[3D Model](#) [Packaging Specification PK-87779-100 \(PDF\)](#)  
[Drawing \(PDF\)](#) [RoHS Certificate of Compliance \(PDF\)](#)  
[Product Specification PS-87779-011-001 \(PDF\)](#)

**Agency Certification**

CSA LR19980  
 UL E29179

**General**

Product Family PCB Receptacles  
 Series [87779](#)  
 Application Board-to-Board, Signal  
 Electrical Model Yes  
 Overview [Serial ATA Connectors and Cable Assemblies](#)  
 Product Name Serial ATA  
 UPC 822348731916

**Physical**

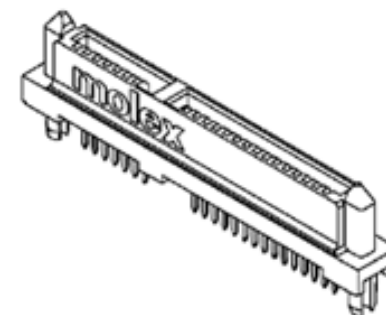
(p)ower-(s)ignal Configuration 15p - 7s  
 Circuits (Loaded) 22  
 Circuits (maximum) 22  
 Durability (mating cycles max) 500  
 Flammability 94V-0  
 Glow-Wire Capable No  
 Lock to Mating Part Yes  
 Material - Plating Mating Gold  
 Material - Plating Termination Tin  
 Net Weight 1.354/g  
 Number of Rows 1  
 Orientation Vertical  
 PC Tail Length 3.45mm  
 PCB Locator Yes  
 PCB Retention None  
 PCB Thickness - Recommended 0.80mm, 2.50mm  
 Packaging Type Tray  
 Pitch - Mating Interface 1.27mm  
 Plating min - Mating 0.762µm  
 Plating min - Termination 2.540µm  
 Polarized to Mating Part Yes  
 Polarized to PCB Yes  
 Surface Mount Compatible (SMC) Yes  
 Temperature Range - Operating -40° to +105°C  
 Termination Interface: Style Surface Mount

**Electrical**

Current - Maximum per Contact 1.5A  
 Voltage - Maximum 30V

**Solder Process Data**

Duration at Max. Process Temperature (seconds) 010  
 Lead-freeProcess Capability SMC&WAVE



Series image - Reference only

**EU ELV**

**Not Relevant**

**EU RoHS**

**Compliant**

**REACH SVHC**

Not Contained Per -  
 ED/71/2019 (16 July  
 2019)

**Halogen-Free**

**Status**

**Low-Halogen**

For more information, please visit [Contact US](#)

China ROHS

ELV

RoHS Phthalates

**China RoHS**

Green Image

Not Relevant

Not Contained

**Search Parts in this Series**

[87779](#) Series

**Mates With**

[87703](#) Serial ATA Combo Plug, [87799](#) Serial ATA Combo Plug

Max. Cycles at Max. Process Temperature	001
Process Temperature max. C	260

**Material Info**

**Reference - Drawing Numbers**

Electrical Model Document	EE-87779-001, EE-87779-002
Packaging Specification	PK-87779-100
Product Specification	PS-87779-011-001
S-Parameter Model	SP-87779-002
Sales Drawing	SD-87779-020

This document was generated on 10/01/2019

**PLEASE CHECK [WWW.MOLEX.COM](http://WWW.MOLEX.COM) FOR LATEST PART INFORMATION**