



Identification & Labeling > Printable Tubing > TMS-SCE Military Grade Sleeves



Printable Tubing Type: **Ladder**

Printable Tubing Grade: **Military**

Shrink Ratio: **2:1**

Primary Product Color: **White**

Markers per Sleeve: **1**

[All TMS-SCE Military Grade Sleeves \(148\)](#)

Features

Product Type Features

Printable Tubing Type	Ladder
Printable Tubing Grade	Military

Body Features

Shrink Ratio	2:1
Primary Product Color	White
Markers per Sleeve	1

Dimensions

Product Length	12.7 mm [.5 in]
Expanded Inside Diameter (Min)	2.38 mm [.093 in]
Recovered Inside Diameter (Max)	1.17 mm [.046 in]
Compatible Cable Diameter Range	1.2 – 1.9 mm [.05 – .075 in]

Usage Conditions

Operating Temperature Range	-55 – 135 °C [-67 – 275 °F]
-----------------------------	-----------------------------

Printer/Label Features

Printer Technology	Thermal Transfer
--------------------	------------------

Product Compliance



[For compliance documentation, visit the product page on TE.com>](#)

EU RoHS Directive 2011/65/EU	Compliant
EU ELV Directive 2000/53/EC	Compliant
China RoHS 2 Directive MIIT Order No 32, 2016	No Restricted Materials Above Threshold
EU REACH Regulation (EC) No. 1907/2006	Current ECHA Candidate List: JUNE 2024 (241) Candidate List Declared Against: JUNE 2024 (241) Does not contain REACH SVHC
Halogen Content	Not Low Halogen - contains Br or Cl > 900 ppm.
Solder Process Capability	Not applicable for solder process capability

Product Compliance Disclaimer

This information is provided based on reasonable inquiry of our suppliers and represents our current actual knowledge based on the information they provided. This information is subject to change. The part numbers that TE has identified as EU RoHS compliant have a maximum concentration of 0.1% by weight in homogenous materials for lead, hexavalent chromium, mercury, PBB, PBDE, DBP, BBP, DEHP, DIBP, and 0.01% for cadmium, or qualify for an exemption to these limits as defined in the Annexes of Directive 2011/65/EU (RoHS2). Finished electrical and electronic equipment products will be CE marked as required by Directive 2011/65/EU. Components may not be CE marked. Additionally, the part numbers that TE has identified as EU ELV compliant have a maximum concentration of 0.1% by weight in homogenous materials for lead, hexavalent chromium, and mercury, and 0.01% for cadmium, or qualify for an exemption to these limits as defined in the Annexes of Directive 2000/53/EC (ELV). Regarding the REACH Regulation, the information TE provides on SVHC in articles for this part number is based on the latest European Chemicals Agency (ECHA) 'Guidance on requirements for substances in articles' posted at this URL: <https://echa.europa.eu/guidance-documents/guidance-on-reach>

Compatible Parts

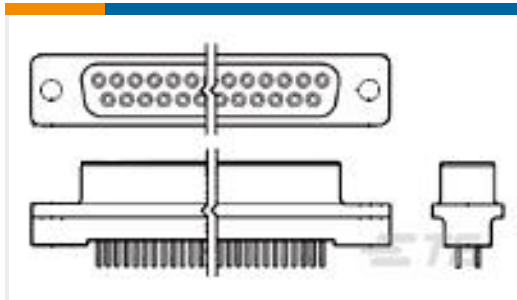
 <p>TE Part # 1-2186500-1 T3212-PRINTER</p>	 <p>TE Part # 1-2186503-1 T3224-SWARE-PRINTER</p>	 <p>TE Part # 1-2186501-1 T3212-SWARE-PRINTER</p>	 <p>TE Part # 1-2186502-1 T3224-PRINTER</p>
--	--	--	--

Also in the Series | TMS-SCE

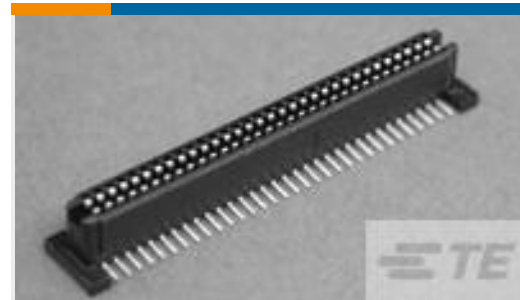


Printable Tubing(148)

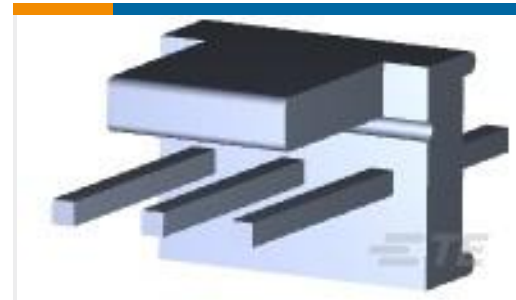
Customers Also Bought



TE Part #5745076-4
HD-20 RCPT 9P VERT FFSCRLK



TE Part #120521-1
1FHR,64,30A/P,S,N,S08,09,10



TE Part #640454-3
03P MTA100 HDR ASSY SQ STR POL



TE Part #2000713-6
RA Keyed Guide Mod, Vita 46,
Machined



TE Part #2000713-5
RA Keyed Guide Mod, Vita 46,
Machined



TE Part #1888631-1
Cage Assy PCI Hsink QSFP Thru



TE Part #1410189-3
MULTIGIG RT T2 7RW H-LFT,ET2



TE Part #1410187-3
MULTIGIG RT T2 7RW DC DF CT



TE Part #530341-1
BOX EST KEY PASSIVATED



TE Part #6-104363-0
11 MTE HDR SRST LATCH .100CL

Documents

Product Drawings

[TMS-SCE-2X-3/32-9](#)

English

Datasheets & Catalog Pages

[TMS-SCE Heat Shrinkable Sleeves](#)

English

[Cable Identification Product Shelf Life](#)

English



Product Specifications

Product Specification

English

IDENTIFICATION PRINTER PRODUCT RIBBON MATRIX

English

Instruction Sheets

Instruction Sheet (non U.S.)

English