

**PLEASE CHECK WWW.MOLEX.COM FOR LATEST PART INFORMATION**

**Part Number:** [0877610007](#)  
**Status:** **Active**  
**Overview:** [Milli-Grid Connector System](#)  
**Description:** Milli-Grid Header, Dual Row Dual Body, Through Hole, Vertical, 6 Circuits, 0.38µm Gold (Au) Selective Plating, 8.18mm Stacking Height, Pocket Tray Packaging, Lead-Free

**Documents:**

<a href="#">Drawing (PDF)</a>	<a href="#">Packaging Specification PK-89990-487-001 (PDF)</a>
<a href="#">Product Specification PS-87761-100-001 (PDF)</a>	<a href="#">Test Summary 877610000-TS-000 (PDF)</a>
<a href="#">Application Specification 503940001-AS-000 (PDF)</a>	<a href="#">RoHS Certificate of Compliance (PDF)</a>
<a href="#">Packaging Specification PK-87761-001-001 (PDF)</a>	

**Agency Certification**

UL E29179

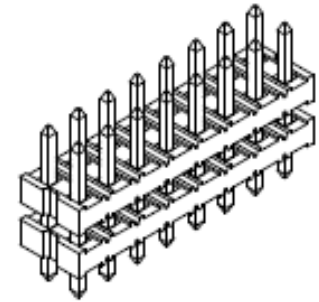
**General**

Product Family	PCB Headers
Series	<a href="#">87761</a>
Application	Board-to-Board, Signal
Overview	<a href="#">Milli-Grid Connector System</a>
Product Name	Dual Body, Milli-Grid
UPC	756054581711

**Physical**

Breakaway	Yes
Circuits (Loaded)	6
Circuits (maximum)	6
Color - Resin	Black
First Mate / Last Break	No
Flammability	94V-0
Glow-Wire Capable	No
Guide to Mating Part	No
Keying to Mating Part	None
Lock to Mating Part	None
Mated Height	5.46mm
Material - Metal	Copper Alloy
Material - Plating Mating	Gold
Material - Plating Termination	Nickel
Material - Resin	Nylon
Net Weight	332.890/mg
Number of Rows	2
Orientation	Vertical
PCB Locator	No
PCB Retention	None
Packaging Type	Tray
Pitch - Mating Interface	2.00mm
Pitch - Termination Interface	2.00mm
Plating min - Mating	0.381µm
Polarized to Mating Part	No
Polarized to PCB	No
Shrouded	No
Stackable	No
Temperature Range - Operating	-55° to +105°C
Termination Interface: Style	Through Hole

**Electrical**



*Series image - Reference only*

**EU ELV**

**Not Relevant**

**EU RoHS**

**Compliant**

**REACH SVHC**

Contained Per -  
D(2020)4578-DC (25  
June 2020)  
di-n-pentyl phthalate  
(DPP)  
perfluorooctanoic acid  
disodium 3,3'-[[1,1'-  
biphenyl]-4,4'-  
diylbis(azo)  
diisopentylphthalate  
1,2-diethoxyethane  
dibutyltin dichloride  
1,3-propanesultone  
ammoniumpentadecafluorooctanoate  
2-ethylhexyl 10-  
ethyl-4,4-dioctyl-7-  
oxo-8-oxa-3,  
2-(2H-benzotriazol-2-  
yl)-4-(tert-butyl)-6-  
(sec-b  
1,2-  
Benzenedicarboxylic  
acid, dihexyl ester,  
bra  
diisohexyl phthalate  
1,2-  
benzenedicarboxylic  
acid, dipentylester,  
bra  
n-pentyl-  
isopentylphthalate  
Boric acid  
Nonadecafluorodecanoic  
acid (PFDA) and its  
sodiu  
Tris(4-nonylphenyl,  
branched and linear)  
phosphi  
Pyrene

**China RoHS**

Current - Maximum per Contact 2.0A  
Voltage - Maximum 125V

#### Solder Process Data

Duration at Max. Process Temperature (seconds) 010  
Lead-free Process Capability WAVE  
Max. Cycles at Max. Process Temperature 003  
Process Temperature max. C 260

#### Material Info

#### Reference - Drawing Numbers

Application Specification 503940001-AS-000  
Packaging Specification PK-87761-001-001, PK-89990-487-001  
Product Specification PS-87761-100-001  
Sales Drawing SD-87761-052-001  
Test Summary 877610000-TS-000

Dodecachloropentacyclo[12.2.1.16,9.02,13.05,10]o  
Perfluorononan-1-  
oic acid  
(2,2,3,3,4,4,5,5,6,6,7  
Methylhexahydrophthalic  
anhydride  
reaction mass of  
2-ethylhexyl 10-  
ethyl-4,4-dioct  
Perfluorohexane-1-  
sulphonic acid and its  
salts  
Lead sulfochromate  
yellow  
strontium chromate  
bis(2-methoxyethyl)  
ether  
pentazinc chromate  
octahydroxide  
1,2-dimethoxyethane  
1,2-bis(2-  
methoxyethoxy)ethane  
bis(pentabromophenyl)  
ether  
cadmium oxide (non-  
pyrophoric)  
cadmium sulphide  
orange lead  
cadmium  
lead dinitrate  
lead oxide sulfate  
pentalead tetraoxide  
sulphate  
dioxobis(stearato)trilead  
Lead titanium  
zirconium oxide  
lead cyanamidate  
Sulfurous acid, lead  
salt, dibasic  
[phthalato(2-)]dioxotrilead  
benzo[a]pyrene  
4-aminoazobenzene  
dihexyl phthalate  
(DnHP)  
ethylene thiourea

#### Halogen-Free

#### Status

**Not Low-Halogen**

For more information, please visit [Contact US](#)

China ROHS	Green Image
ELV	Not Relevant
RoHS Phthalates	Not Contained

#### Search Parts in this Series

[87761](#) Series

#### Mates With

[79109](#) Board-to-Board Top/Bottom Entry  
SMT Receptacle

**PLEASE CHECK [WWW.MOLEX.COM](http://WWW.MOLEX.COM) FOR LATEST PART INFORMATION**