

PLEASE CHECK WWW.MOLEX.COM FOR LATEST PART INFORMATION

Part Number: [0877610006](#)
Status: **Active**
Overview: [Milli-Grid Connector System](#)
Description: Milli-Grid Header, Dual Row Dual Body, Through Hole, Vertical, 4 Circuits, 0.38µm Gold (Au) Selective Plating, 8.18mm Stacking Height, Pocket Tray Packaging, Lead-Free

Documents:

| | |
|--|--|
| Drawing (PDF) | Packaging Specification PK-89990-487-001 (PDF) |
| Product Specification PS-87761-100-001 (PDF) | Test Summary 877610000-TS-000 (PDF) |
| Application Specification 503940001-AS-000 (PDF) | RoHS Certificate of Compliance (PDF) |
| Packaging Specification PK-87761-001-001 (PDF) | |

Agency Certification

UL E29179

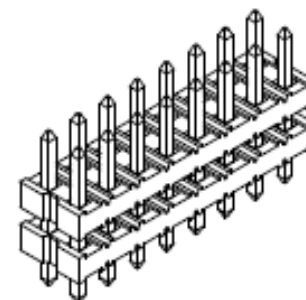
General

| | |
|----------------|---|
| Product Family | PCB Headers |
| Series | 87761 |
| Application | Board-to-Board, Signal |
| Overview | Milli-Grid Connector System |
| Product Name | Dual Body, Milli-Grid |
| UPC | 756054581704 |

Physical

| | |
|--------------------------------|----------------|
| Breakaway | Yes |
| Circuits (Loaded) | 4 |
| Circuits (maximum) | 4 |
| Color - Resin | Black |
| First Mate / Last Break | No |
| Flammability | 94V-0 |
| Glow-Wire Capable | No |
| Guide to Mating Part | No |
| Keying to Mating Part | None |
| Lock to Mating Part | None |
| Mated Height | 5.46mm |
| Material - Metal | Copper Alloy |
| Material - Plating Mating | Gold |
| Material - Plating Termination | Nickel |
| Material - Resin | Nylon |
| Net Weight | 0.189/g |
| Number of Rows | 2 |
| Orientation | Vertical |
| PCB Locator | No |
| PCB Retention | None |
| Packaging Type | Tray |
| Pitch - Mating Interface | 2.00mm |
| Pitch - Termination Interface | 2.00mm |
| Plating min - Mating | 0.381µm |
| Polarized to Mating Part | No |
| Polarized to PCB | No |
| Shrouded | No |
| Stackable | No |
| Temperature Range - Operating | -55° to +105°C |
| Termination Interface: Style | Through Hole |

Electrical



Series image - Reference only

EU ELV

Not Relevant

EU RoHS

Compliant

REACH SVHC

Contained Per -
D(2020)4578-DC (25
June 2020)
henicosaflluoroundecanoic
acid
disodium 4-
amino-3-[[4'-[(2,4-
diaminophenyl)azo]
chromium trioxide
1,3-propanesultone
1-vinylimidazole
4,4'-methylenedi-o-
toluidine
dibutyltin dichloride
methoxyacetic acid
diisopentylphthalate
disodium 3,3'-[[1,1'-
biphenyl]-4,4'-
diylbis(azo)
octamethylcyclotetrasiloxane
decamethylcyclopentasiloxane
dodecamethylcyclohexasiloxane
heptacosaflluorotetradecanoic
acid
tricosaflluorododecanoic
acid
di-n-pentyl phthalate
(DPP)
6-methoxy-m-toluidine
furan
1-bromopropane
nitrobenzene
4-o-tolylazo-o-
toluidine
ethylene thiourea
4-methyl-m-
phenylenediamine
o-toluidine

China RoHS

Current - Maximum per Contact 2.0A
Voltage - Maximum 125V

Solder Process Data

Duration at Max. Process Temperature (seconds) 010
Lead-free Process Capability WAVE
Max. Cycles at Max. Process Temperature 003
Process Temperature max. C 250

Material Info

Reference - Drawing Numbers

Application Specification 503940001-AS-000
Packaging Specification PK-87761-001-001, PK-89990-487-001
Product Specification PS-87761-100-001
Sales Drawing SD-87761-052-001
Test Summary 877610000-TS-000

butyl 4-
hydroxybenzoate
dinoseb (ISO)
dihexyl phthalate
(DnHP)
N-methylacetamide
dimethyl sulphate
diethyl sulphate
4-aminoazobenzene
Fatty acids, C16-18,
lead salts
[phthalato(2-)]dioxotrilead
Silicic acid (H₂Si₂O₅),
barium salt (1:1),
lead-
ammoniumpentadecafluorooctanoate
Perfluorohexane-1-
sulphonic acid and its
salts
5-sec-butyl-2-(2,4-
dimethylcyclohex-3-
en-1-yl)-5
1,2-
benzenedicarboxylic
acid, di-C₆-10-alkyl
est
Cadmium sulphate
Sodium perborate;
perboric acid, sodium
salt
hexahydro-2-
benzofuran-1,3-dione
4-(1,1,3,3-
tetramethylbutyl)phenol,
ethoxylated
Perfluorononan-1-
oic acid
(2,2,3,3,4,4,5,5,6,6,7
Reaction
products of 1,3,4-
thiadiazolidine-2,5-d
Dodecachloropentacyclo[12.2.1.16,9.02,13.05,10]o
Chrysene
Pyrene
Tris(4-nonylphenyl,
branched and linear)
phosphi
2,3,3,3-tetrafluoro-2-
(heptafluoropropoxy)propio
4-(1,1,3,3-
tetramethylbutyl)phenol,
ethoxylated
Trixylyl phosphate
Zirconia
Aluminosilicate
Refractory Ceramic
Fibr
Aluminosilicate
Refractory Ceramic
Fibres
Boric acid
Disodium tetraborate
Hydrazine

1,3-BENZENEDIOL,
TRINITRO-, LEAD
SALT
n-pentyl-
isopentylphthalate
3-ethyl-2-methyl-2-
(3-methylbutyl)-1,3-
oxazolidi
1,2-
benzenedicarboxylic
acid, dipentylester,
bra
pentacosafuorotridecanoic
acid
1,2-
Benzenedicarboxylic
acid, dihexyl ester,
bra
Terphenyl,
hydrogenated
2-(2H-benzotriazol-2-
yl)-4-(tert-butyl)-6-
(sec-b
2-(2H-benzotriazol-2-
yl)-4,6-
ditertpentylphenol
dibutylbis(pentane-2,4-
dionato-O,O')tin
2-ethylhexyl 10-
ethyl-4,4-dioctyl-7-
oxo-8-oxa-3,
disodium octaborate
sodium
peroxometaborate
Sulfurous acid, lead
salt, dibasic
trilead diarsenate
2-methoxyaniline
arsenic acid
N,N-
dimethylacetamide
lead dipicrate
potassium
hydroxyoctaoxidizincatedichromate(1-)
bis(2-methoxyethyl)
ether
calcium arsenate
1,2-
benzenedicarboxylic
acid; di-C6-8-
branched a
N-methyl-2-
pyrrolidone
1,2-
benzenedicarboxylic
acid; di-C7-11-
branched
2-ethoxyethyl acetate
cobalt sulphate
cobalt di(acetate)
cobalt carbonate
tetraboron disodium
heptaoxide, hydrate
sodium chromate
potassium dichromate

potassium chromate
ammonium
dichromate
tris(2-chloroethyl)
phosphate
Lead sulfochromate
yellow
Lead chromate
molybdate sulfate red
lead chromate
Anthracene oil,
anthracene-low;
Anthracene Oil F
Anthracene oil,
anthracene paste,
distn. lights;
Anthracene oil,
anthracene paste,
anthracene fra
Anthracene oil,
anthracene paste;
Anthracene Oil
Butylbenzylphthalate
(BBP)
lead hydrogen
arsenate
bis(2-ethylhexyl)
phthalate (DEHP)
dibutyl phthalate
(DBP)
4,4'-
diaminodiphenylmethane
triethyl arsenate
1,2-dichloroethane
Acetic acid, lead salt,
basic
Lead titanium
zirconium oxide
dioxobis(stearato)trilead
tetralead trioxide
sulphate
trilead dioxide
phosphonate
pentalead tetraoxide
sulphate
lead oxide sulfate
Silicic acid, lead salt
cadmium chloride
lead dinitrate
pyrochlore, antimony
lead yellow
cadmium fluoride
cadmium
lead
 α,α -Bis[4-
(dimethylamino)phenyl]-4
(phenylamino)
[4-[[4-anilino-1-
naphthyl][4-
(dimethylamino)phen
1,3,5-
tris(oxiranylmethyl)-1,3,5-
triazine-2,4,6(
Lead oxide

trilead bis(carbonate)
dihydroxide
orange lead
cadmium sulphide
cadmium oxide (non-
pyrophoric)
diboron trioxide
bis(pentabromophenyl)
ether
4,4'-
bis(dimethylamino)-4"-
(methylamino)trityl
[4-[4,4'-
bis(dimethylamino)
benzhydrylidene]cycl
1,2-dimethoxyethane
4,4'-
bis(dimethylamino)benzophenone
dichromium
tris(chromate)
phenolphthalein
lead diazide
bis(2-methoxyethyl)
phthalate
Formaldehyde,
polymer with
benzenamine
pentazinc chromate
octahydroxide

**Halogen-Free
Status**

Not Low-Halogen

For more information, please visit [Contact US](#)

| | |
|-----------------|---------------|
| China ROHS | Green Image |
| ELV | Not Relevant |
| RoHS Phthalates | Not Contained |

Search Parts in this Series

[87761](#) Series

Mates With

[79109](#) Board-to-Board Top/Bottom Entry
SMT Receptacle

This document was generated on 10/14/2020

PLEASE CHECK WWW.MOLEX.COM FOR LATEST PART INFORMATION