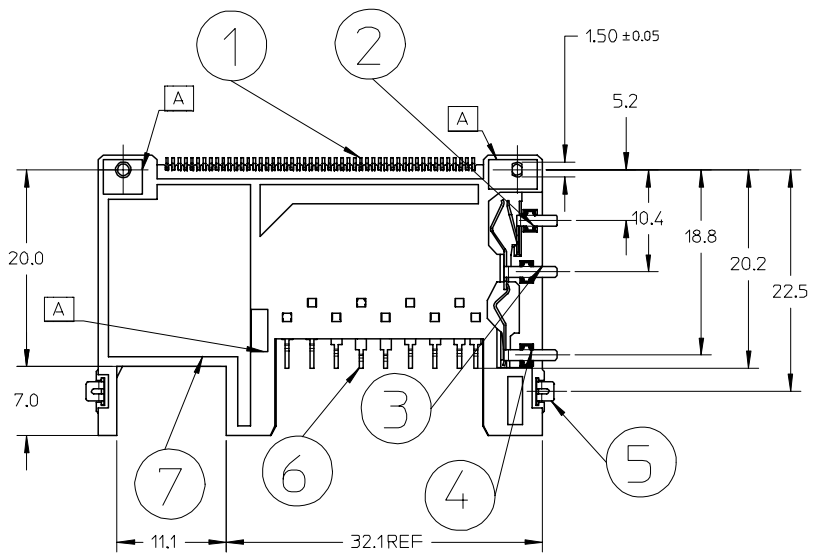
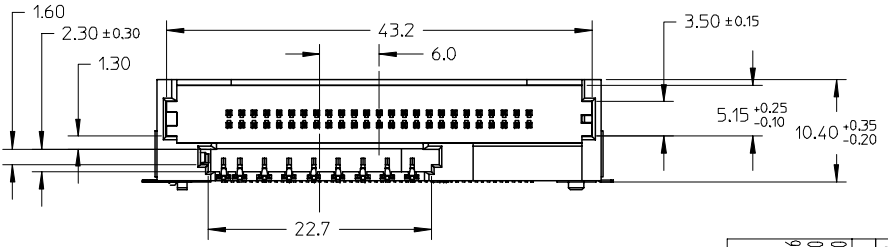
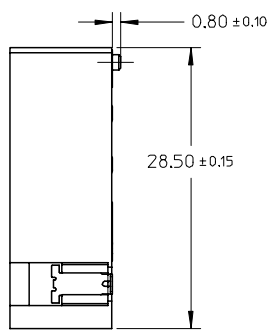
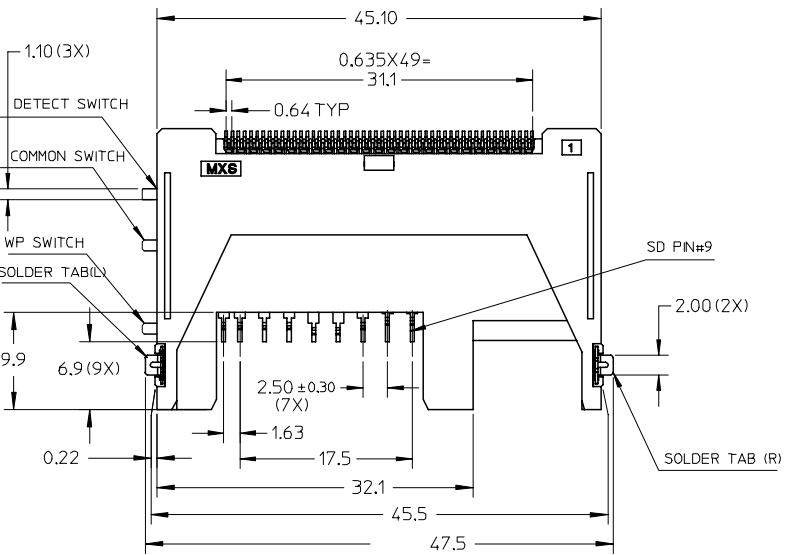
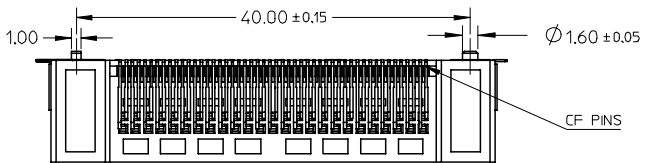


10 9 8 7 6 5 4 3 2 1

F
E
D
C
B
A



PART No.	87723-0010	87723-0011
TRAY TYPE	TYPE1	TYPE2
PLATING	TIN/LEAD FREE	

LOCATION	CO-PLANARITY SPEC
SOLDER TAB (R)	-0.07 TO -0.20
SD PIN# 9	-0.07 TO -0.20
COMMON & DETECT SWITCHES	0.00±0.05
FOR CF, SOLDER TAB (L), WP SWITCH & SD PIN# 1 TO 8	0 TO -0.15

OBS TIN/LEAD P/N
EC NO: S2006-0863
DRWN:MLONG 2006/04/06
CHKD:NAGESHKN 2006/04/10
APPR:PTLIM 2006/04/10

QUALITY SYMBOLS
▽=0
▽=0

GENERAL TOLERANCES (UNLESS SPECIFIED)

	mm	INCH
4 PLACES	± ---	± ---
3 PLACES	± ---	± ---
2 PLACES	± 0.20	± ---
1 PLACE	± 0.40	± ---
ANGULAR ± 3 °		

DRAFT WHERE APPLICABLE
MUST REMAIN WITHIN DIMENSIONS

DIMENSION STYLE
MM ONLY

DRAWN BY	DATE
NAGESHKN	2002/05/08
CHECKED BY	DATE
KCLING	2002/05/13
APPROVED BY	DATE
SKTOH	2002/05/14

MATERIAL NO. SEE TABLE

SCALE NTS
DESIGN UNITS METRIC
THIRD ANGLE PROJECTION

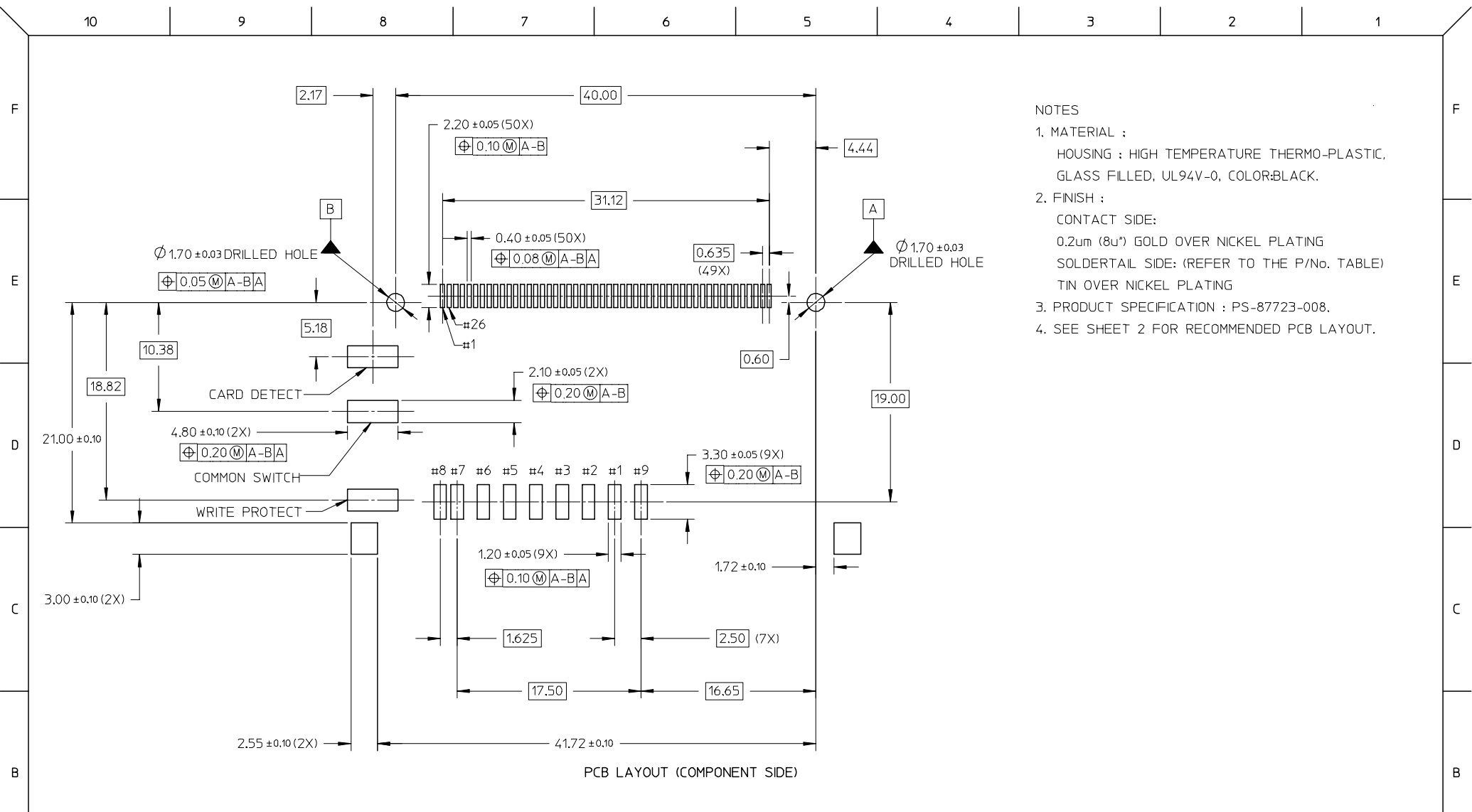
CF/SD/MMC COMBO CONNECTOR, SMT TYPE

MOLEX INCORPORATED

DOCUMENT NO. SD-87723-001
SHEET NO. 1 OF 3

THIS DRAWING CONTAINS INFORMATION THAT IS PROPRIETARY TO MOLEX INCORPORATED AND SHOULD NOT BE USED WITHOUT WRITTEN PERMISSION

9 8 7 6 5 4 3 2 1



- NOTES
- MATERIAL :
HOUSING : HIGH TEMPERATURE THERMO-PLASTIC, GLASS FILLED, UL94V-0, COLOR:BLACK.
 - FINISH :
CONTACT SIDE:
0.2um (8u") GOLD OVER NICKEL PLATING
SOLDERTAIL SIDE: (REFER TO THE P/No. TABLE)
TIN OVER NICKEL PLATING
 - PRODUCT SPECIFICATION : PS-87723-008.
 - SEE SHEET 2 FOR RECOMMENDED PCB LAYOUT.

PCB LAYOUT (COMPONENT SIDE)

ITEM	PART DESCRIPTION	QTY	MATERIAL	FINISH/GRADE
1	COMPACT FLASH TERMINALS	50	COPPER ALLOY	SEE NOTE 2
2	CARD DETECT SWITCH	1	COPPER ALLOY	SEE NOTE 2
3	COMMON SWITCH FOR WRITE AND DETECT	1	COPPER ALLOY	SEE NOTE 2
4	WRITE PROTECT SWITCH	1	COPPER ALLOY	SEE NOTE 2
5	SOLDER-TAB FOR CONNECTOR HOLD DOWN	2	COPPER ALLOY	SEE NOTE 2
6	SECURED DIGITAL TERMINALS	9	COPPER ALLOY	SEE NOTE 2
7	CONNECTOR HOUSING	1	HIGH TEMP. PLASTIC	UL94V-0

OBS TIN/LEAD P/N
EC NO: S2006-0863
DRWN:MLONG 2006/04/06
CHKD:NAGESHKN 2006/04/10
APPR:PTLIM 2006/04/10

QUALITY SYMBOLS
▽=0
▽=0

GENERAL TOLERANCES (UNLESS SPECIFIED)	
mm	INCH
4 PLACES ± ---	± ---
3 PLACES ± ---	± ---
2 PLACES ± 0.20	± ---
1 PLACE ± 0.40	± ---
ANGULAR ± 3 °	

DRAFT WHERE APPLICABLE
MUST REMAIN WITHIN DIMENSIONS

DIMENSION STYLE	
SCALE	DESIGN UNITS
MM ONLY	METRIC
DRAWN BY NAGESHKN	DATE 2002/05/08
CHECKED BY KCLING	DATE 2002/05/13
APPROVED BY SKTOH	DATE 2002/05/14
MATERIAL NO.	DOCUMENT NO.
SEE TABLE	SD-87723-001

THIRD ANGLE PROJECTION

CF/SD/MMC COMBO CONNECTOR, SMT TYPE

MOLEX INCORPORATED

SHEET NO. 2 OF 3

THIS DRAWING CONTAINS INFORMATION THAT IS PROPRIETARY TO MOLEX INCORPORATED AND SHOULD NOT BE USED WITHOUT WRITTEN PERMISSION

10

9

8

7

6

5

4

3

2

1

F

F

E

E

D

D

C

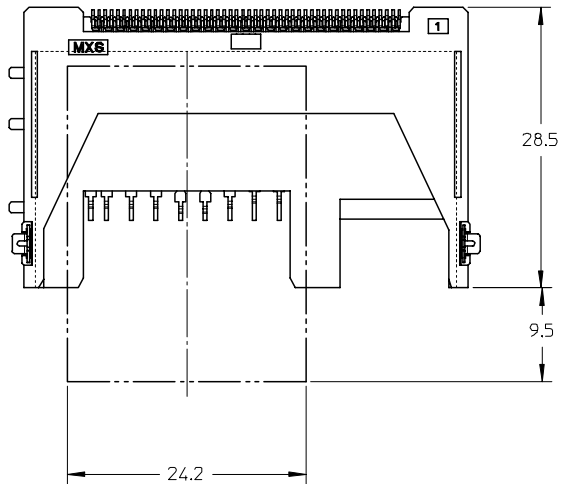
C

B

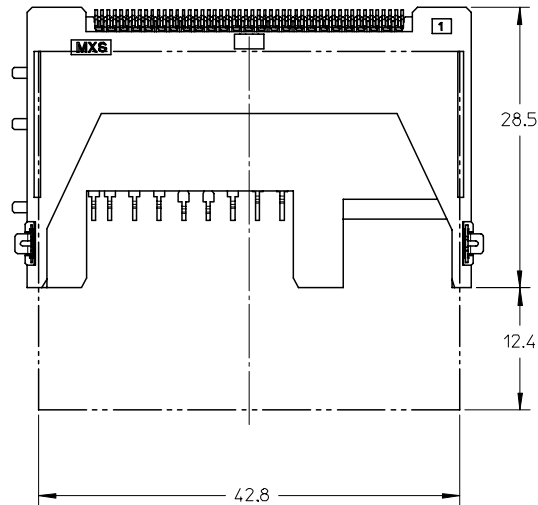
B

A

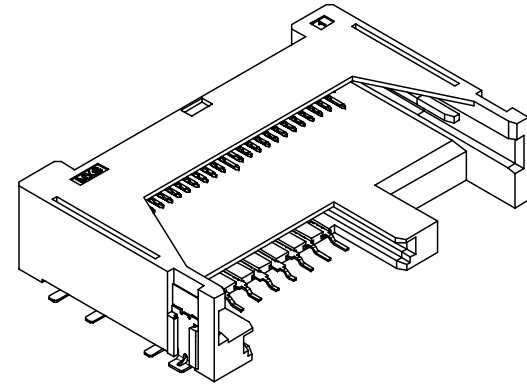
A



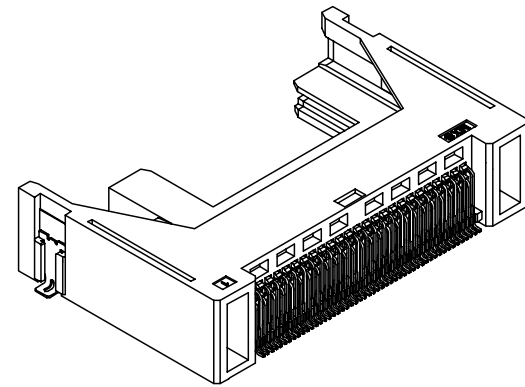
MATED SD OR MMC CARDS DIMENSIONS



MATED COMPACT FLASH CARD DIMENSIONS



ISOMETRIC VIEW (FRONT)



ISOMETRIC VIEW (BACK)

OBS TIN/LEAD P/N EC NO: S2006-0863 DRWN:MLONG CHKD:NAGESHKN APPR:PTLIM	2006/04/06 2006/04/10 2006/04/10	DESCRIPTION REV	QUALITY SYMBOLS	GENERAL TOLERANCES (UNLESS SPECIFIED)	DIMENSION STYLE	SCALE	DESIGN UNITS	THIRD ANGLE PROJECTION																		
			$\nabla=0$ $\nabla C=0$	<table border="1"> <thead> <tr> <th></th> <th>mm</th> <th>INCH</th> </tr> </thead> <tbody> <tr> <td>4 PLACES</td> <td>\pm---</td> <td>\pm---</td> </tr> <tr> <td>3 PLACES</td> <td>\pm---</td> <td>\pm---</td> </tr> <tr> <td>2 PLACES</td> <td>± 0.20</td> <td>\pm---</td> </tr> <tr> <td>1 PLACE</td> <td>± 0.40</td> <td>\pm---</td> </tr> <tr> <td colspan="3">ANGULAR $\pm 3^\circ$</td> </tr> </tbody> </table>		mm	INCH	4 PLACES	\pm ---	\pm ---	3 PLACES	\pm ---	\pm ---	2 PLACES	± 0.20	\pm ---	1 PLACE	± 0.40	\pm ---	ANGULAR $\pm 3^\circ$			MM ONLY	NTS	METRIC	
				mm	INCH																					
			4 PLACES	\pm ---	\pm ---																					
3 PLACES	\pm ---	\pm ---																								
2 PLACES	± 0.20	\pm ---																								
1 PLACE	± 0.40	\pm ---																								
ANGULAR $\pm 3^\circ$																										
	DRAFT WHERE APPLICABLE MUST REMAIN WITHIN DIMENSIONS	SEE TABLE																								

CF/SD/MMC COMBO CONNECTOR, SMT TYPE

MOLEX INCORPORATED

SD-87723-001

SHEET NO. 3 OF 3

THIS DRAWING CONTAINS INFORMATION THAT IS PROPRIETARY TO MOLEX INCORPORATED AND SHOULD NOT BE USED WITHOUT WRITTEN PERMISSION

9

8

7

6

5

4

3

2

1