

87666-4 ✓ ACTIVE

AMPMODU | AMPMODU IV/V

TE Internal #: 87666-4

AMPMODU IV/V, Connector Contact, Socket, Wire-to-Board, 26 –

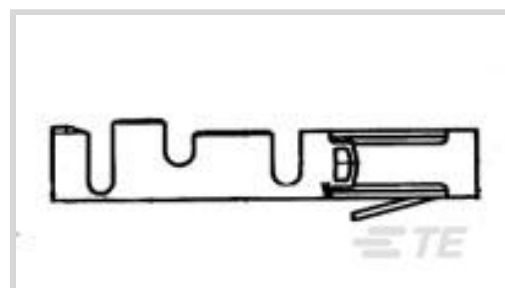
22AWG Wire Size, 236.823 – 789.41CMA Wire Size, .12 – .4mm²

Wire Size, Gold, Reel

[View on TE.com >](#)



Connectors > PCB Connectors > Wire-to-Board Connectors > Wire-to-Board Connector Contacts



Contact Type: **Socket**

Connector System: **Wire-to-Board**

Wire Size: .12 – .4 mm²

Features

Product Type Features

Connector System	Wire-to-Board
Connector & Contact Terminates To	Wire & Cable

Configuration Features

Compatible With Wire & Cable Type	Discrete Wire
-----------------------------------	---------------

Contact Features

Wire Contact Termination Area Plating Material	15 μin
Wire Contact Termination Area Plating Material	Nickel
Contact Base Material	Beryllium Copper
Contact Type	Socket
Contact Mating Area Plating Material	Gold
Contact Current Rating (Max)	3 A

Termination Features

Termination Method to Wire & Cable	Crimp
------------------------------------	-------

Mechanical Attachment

Wire Insulation Support	With
-------------------------	------

Dimensions

Accepts Wire Insulation Diameter Range	1.55 mm[.061 in]
Wire Size	.12 – .4 mm ²

Usage Conditions



Operating Temperature Range	-65 – 105 °C[-85 – 221 °F]
-----------------------------	----------------------------

Operation/Application

Circuit Application	Power & Signal
---------------------	----------------

Packaging Features

Packaging Quantity	12500
Packaging Method	Reel

Product Compliance

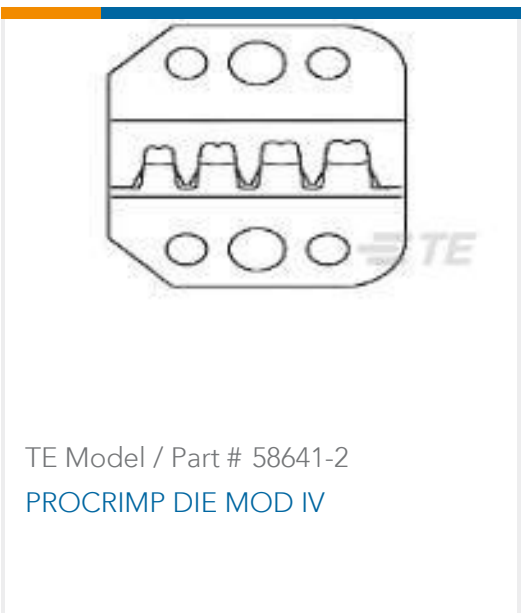
[For compliance documentation, visit the product page on TE.com>](#)

EU RoHS Directive 2011/65/EU	Compliant
EU ELV Directive 2000/53/EC	Compliant
China RoHS 2 Directive MIIT Order No 32, 2016	No Restricted Materials Above Threshold
EU REACH Regulation (EC) No. 1907/2006	Current ECHA Candidate List: JUN 2020 (209) Candidate List Declared Against: JAN 2017 (173) Does not contain REACH SVHC
Halogen Content	Low Halogen - Br, Cl, F, I < 900 ppm per homogenous material. Also BFR/CFR/PVC Free
Solder Process Capability	Not applicable for solder process capability

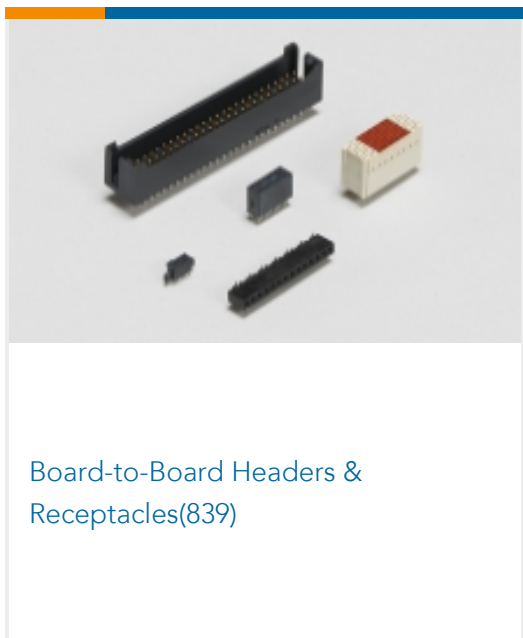
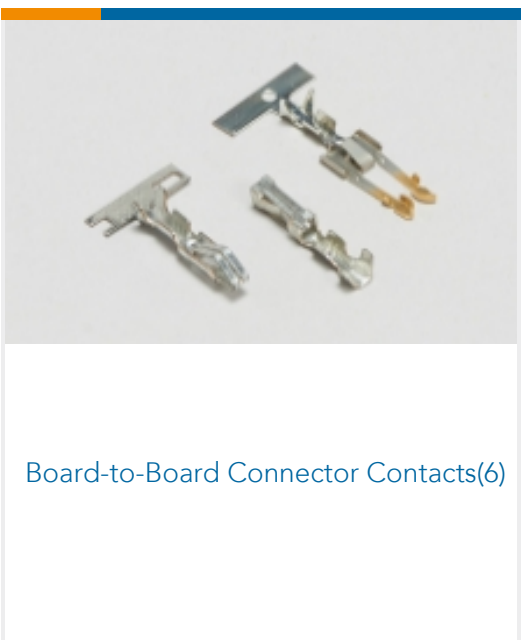
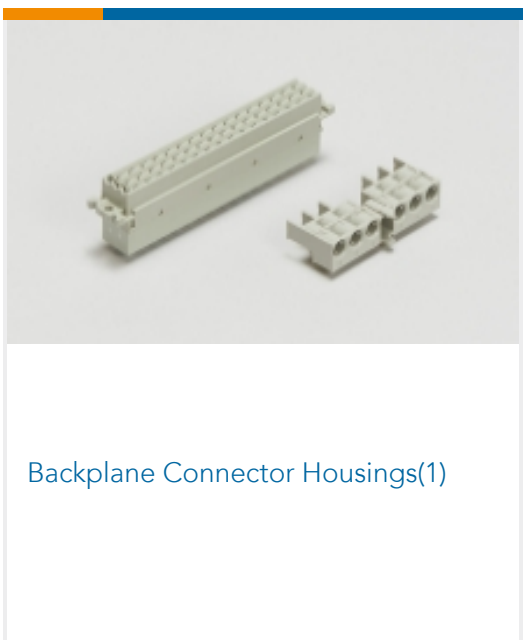
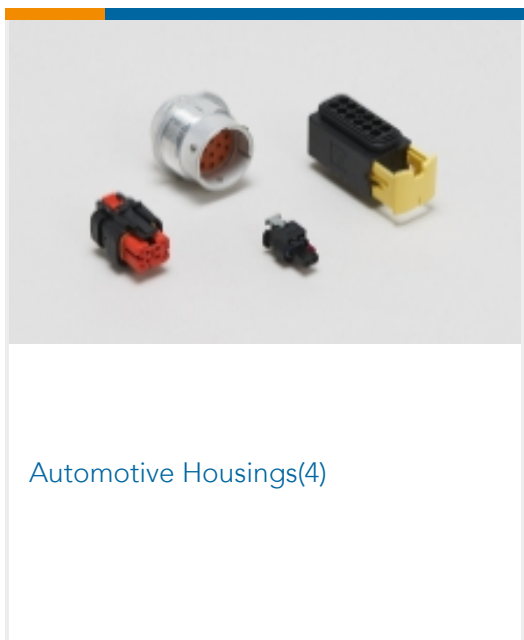
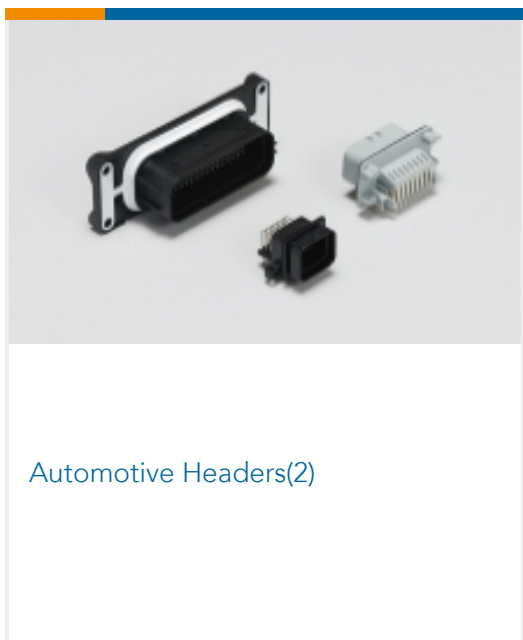
Product Compliance Disclaimer

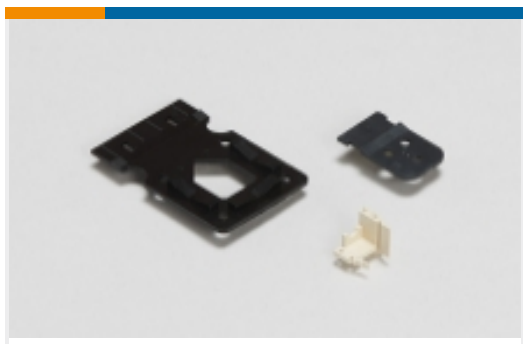
This information is provided based on reasonable inquiry of our suppliers and represents our current actual knowledge based on the information they provided. This information is subject to change. The part numbers that TE has identified as EU RoHS compliant have a maximum concentration of 0.1% by weight in homogenous materials for lead, hexavalent chromium, mercury, PBB, PBDE, DBP, BBP, DEHP, DIBP, and 0.01% for cadmium, or qualify for an exemption to these limits as defined in the Annexes of Directive 2011/65/EU (RoHS2). Finished electrical and electronic equipment products will be CE marked as required by Directive 2011/65/EU. Components may not be CE marked. Additionally, the part numbers that TE has identified as EU ELV compliant have a maximum concentration of 0.1% by weight in homogenous materials for lead, hexavalent chromium, and mercury, and 0.01% for cadmium, or qualify for an exemption to these limits as defined in the Annexes of Directive 2000/53/EC (ELV). Regarding the REACH Regulations, TE's information on SVHC in articles for this part number is still based on the European Chemical Agency (ECHA) 'Guidance on requirements for substances in articles' (Version: 2, April 2011), applying the 0.1% weight on weight concentration threshold at the finished product level. TE is aware of the European Court of Justice ruling of September 10th, 2015 also known as O5A (Once An Article Always An Article) stating that, in case of 'complex object', the threshold for a SVHC must be applied to both the product as a whole and simultaneously to each of the articles forming part of its composition. TE has evaluated this ruling based on the new ECHA "Guidance on requirements for substances in articles" (June 2017, version 4.0) and will be updating its statements accordingly.

Compatible Parts

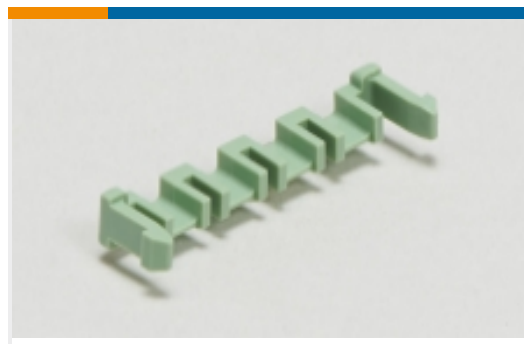


Also in the Series | AMPMODU IV/V





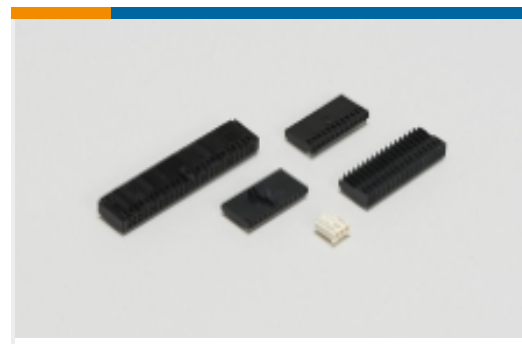
PCB Connector Strain Relief(2)



PCB Latches, Locks & Retainers(10)



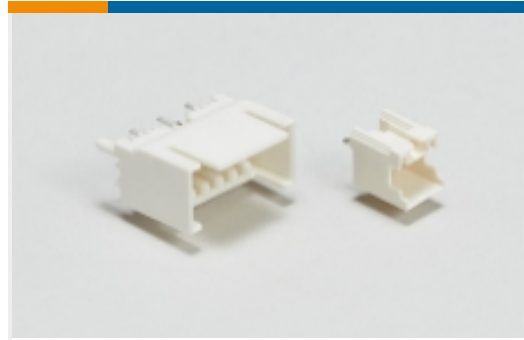
Rectangular Connector Housings(2)



Wire-to-Board Connector Assemblies & Housings(450)

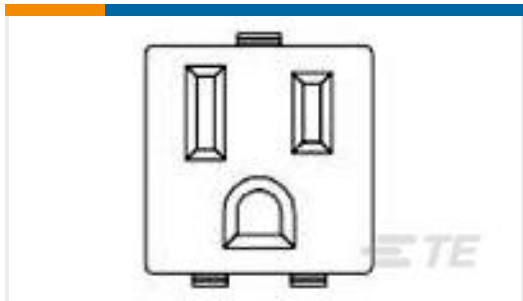


Wire-to-Board Connector Contacts (318)



Wire-to-Board Headers & Receptacles (8)

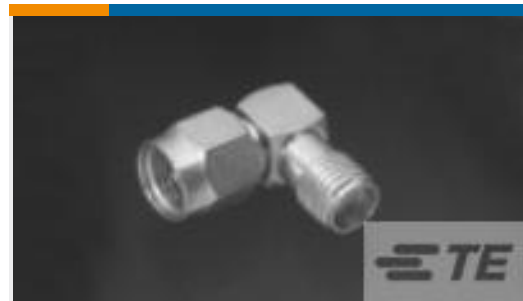
Customers Also Bought



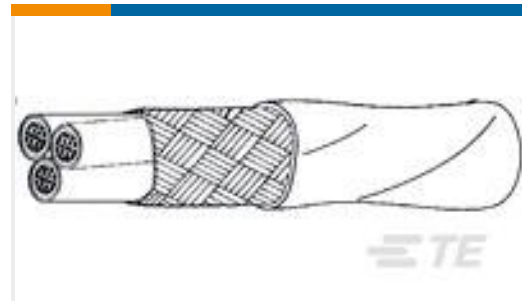
TE Model / Part #1-208979-0
CONV OUTLET ASSEMBLY (GRAY)



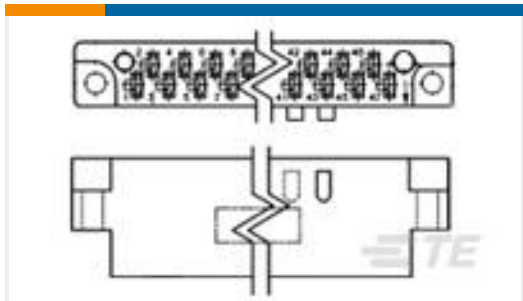
TE Model / Part #1-1617076-3
3SBH1142A2 = M39016/14-002L



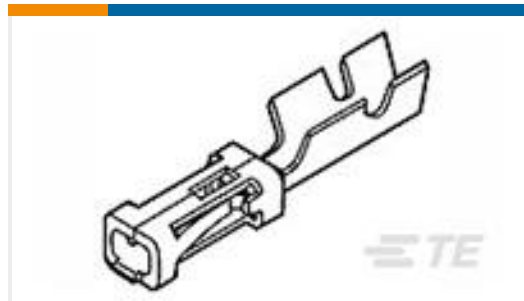
TE Model / Part #1055091-1
SMA Jack-Plug R/A Adapter 2088 8001 92



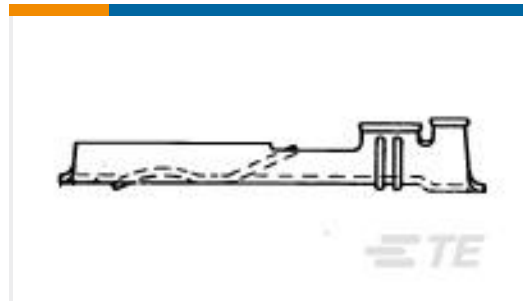
TE Model / Part #382309-022
44A1131-22-0/2/9-9



TE Model / Part #5-582151-5
41 AMP BLADE RCPT HSG/MIL



TE Model / Part #1-85969-0
MOD IV RECP PLTD 50 SEL



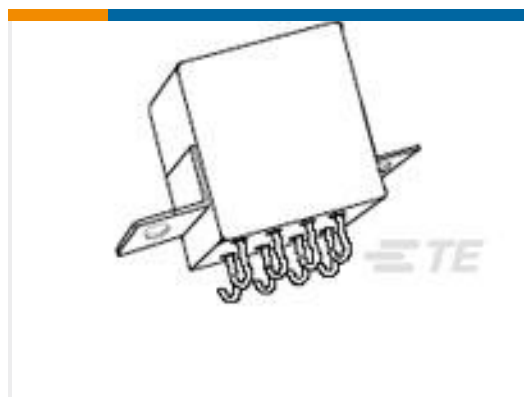
TE Model / Part #66010-3
AMP BLADE RECP LP MIL



TE Model / Part #91555-1
CERTICRIMP 2,SAHT AMP BLADE



TE Model / Part #810295-000
D-142-51CS1787



TE Model / Part #1-1617749-9
FCA-210-1023L=M83536/10-023L

Documents



Product Drawings

MOD IV RECP PLTD 50 SEL

English

CAD Files

3D PDF

3D

Customer View Model

[ENG_CVM_CVM_87666-4_AH.2d_dxf.zip](#)

English

Customer View Model

[ENG_CVM_CVM_87666-4_AH.3d_igs.zip](#)

English

Customer View Model

[ENG_CVM_CVM_87666-4_AH.3d_stp.zip](#)

English

By downloading the CAD file I accept and agree to the [Terms and Conditions](#) of use.

Product Specifications

Application Specification

English

Product Environmental Compliance

TE Material Declaration

English